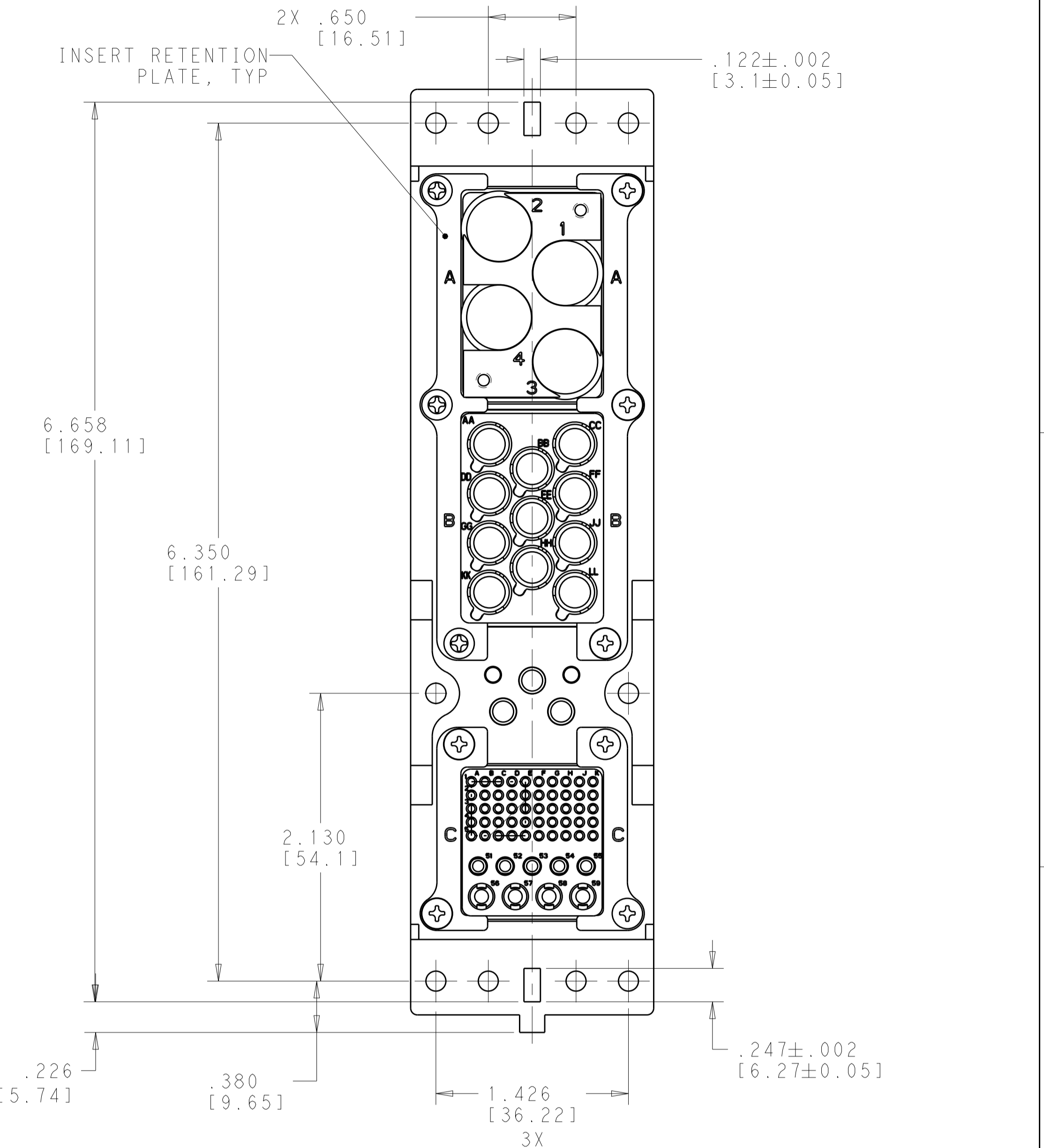
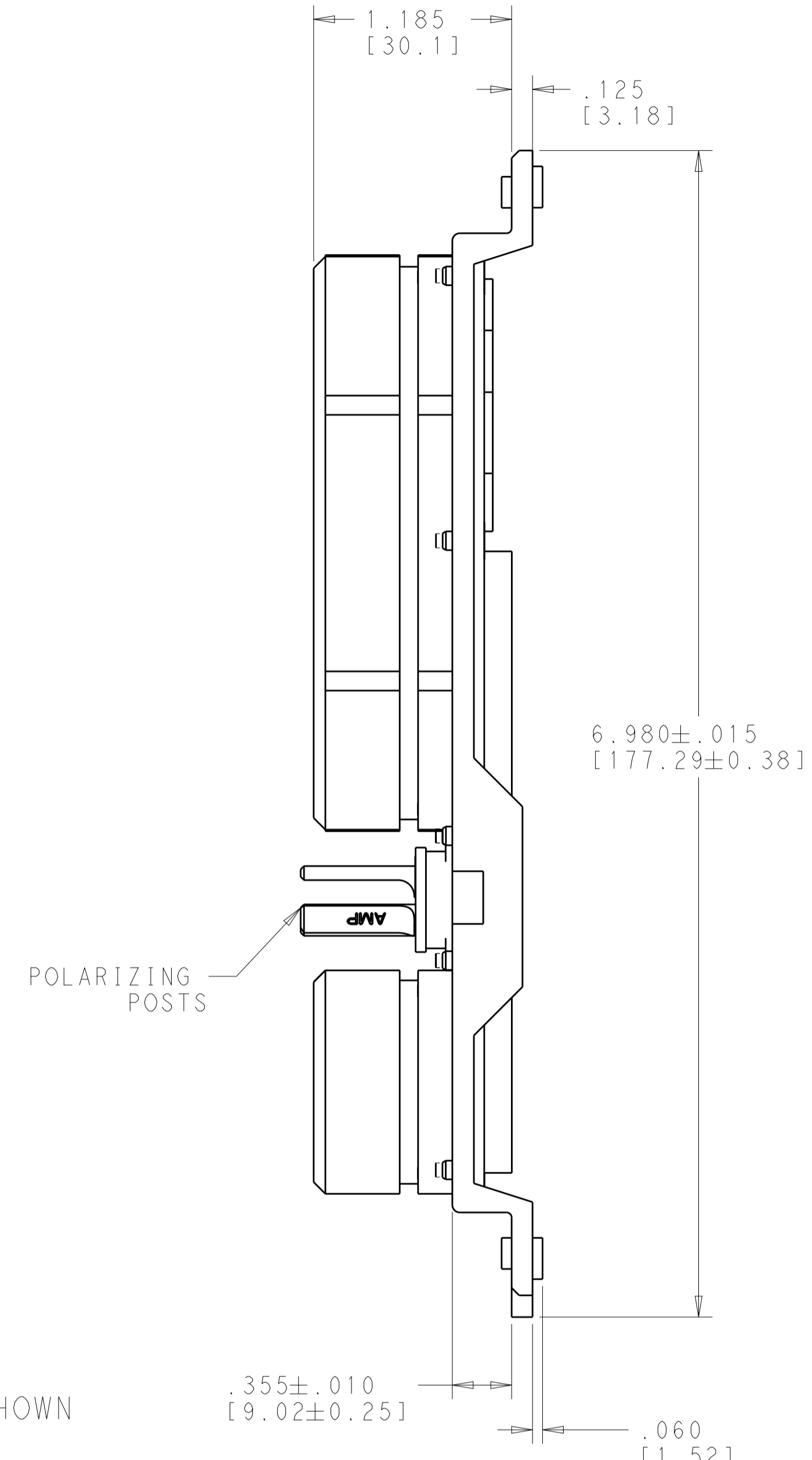
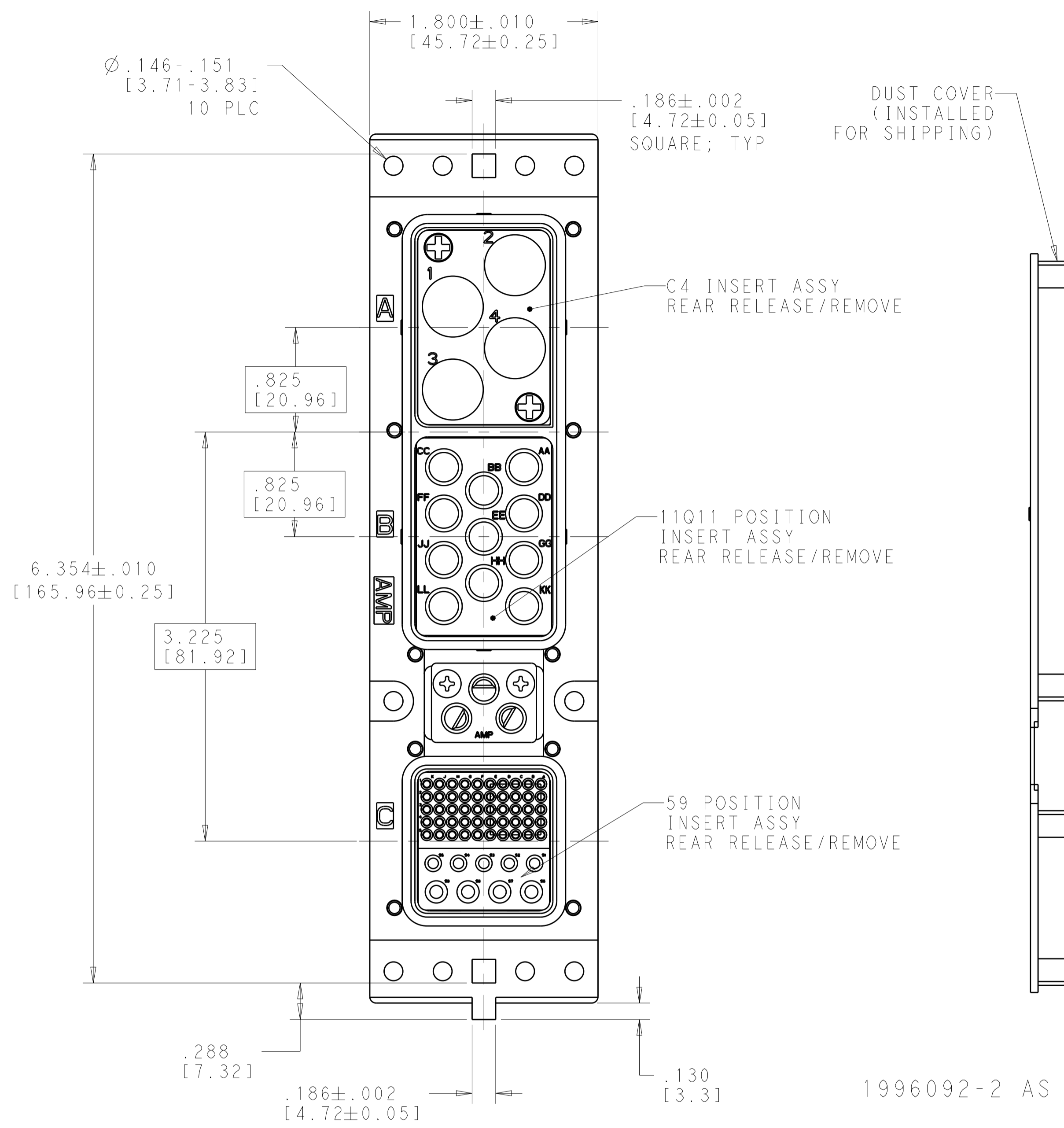


REVISONS		DATE	DWN	APVD
LOC	DIST	DESCRIPTION		
J		REV PER ECO 17-010614	7-26-17	CT RL



1996092-2 AS SHOWN

COMPONENT	MATERIAL	FINISH
SHELL	DIE CAST ALUMINUM PER ASTM-B-85	SEE TABLE
RETENTION PLATES	ALUMINUM ALLOY PER ASTM-B-209	SEE TABLE
RETENTION PLATE SCREWS	STAINLESS STEEL	PASSIVATED
POLARIZING POSTS	ZINC ALLOY PER ASTM-B-86	ELECTROLESS NICKEL PER MIL-C-26074 CLASS 4, GRADE B
POLARIZING RETAINING PLATE	ALUMINUM ALLOY PER ASTM-B-209	BLUE ANODIZED PER MIL-A-8625
59 POSITION INSERT	THERMOSET OR THERMOPLASTIC PPS PER MIL-M-24519	-
C4 INSERT	ALUMINUM ALLOY PER ASTM-B-209	CHEMICAL CONVERSION PER MIL-C-5541, CLASS 1A
11Q11 INSERT	ALUMINUM ALLOY PER QQ-A-225/6	ELECTROLESS NICKEL PER MIL-C-26074, CLASS 1A
GROUND SPRING (-1 ONLY)	BERYLLIUM COPPER	ELECTROLESS NICKEL PER MIL-C-26074

- CONNECTOR DIMENSIONS ARE PER ARINC 600 SPECIFICATION.
 - DUST COVER INSTALLED FOR SHIPPING.
 - KEYING INSTALLED IN POSITION "09" AS SHOWN.
 - CONTACTS AND FILLER PLUGS (IF INCLUDED) SHIPPED IN A SEPERATE CONTAINER WITH CONNECTOR.
 - GROUND SPRINGS ARE SOLDERED TO SHELL. (-1 ONLY).
- ⚠ ELECTROLESS NICKEL PER MIL-C-26074, CLASS 4, GRADE B.
 ⚠ CHEMICAL CONVERSION PER MIL-C-5541, CLASS 1A.

DESCRIPTION	SHELL AND RETENTION PLATE FINISH	KEYING POSITION	PART NUMBER
MODULE A NO CONTACTS OR FILLER PLUGS MODULE B NO CONTACTS OR FILLER PLUGS MODULE C TE PART NO. 208262-3 (SZ 22 CRIMP PIN; QTY = 12) TE PART NO. 208270-2 (SZ 16 CRIMP SKT; QTY = 4)	⚠	"09"	1996092-2
MODULE A NO CONTACTS OR FILLER PLUGS MODULE B TE PART NO. 1445693-1 (SZ 8 QUADRAX; QTY = 7) TE PART NO. 1996636-1 (SZ 8 FILLER PLUG; QTY = 3) MODULE C TE PART NO. 208262-3 (SZ 22 CRIMP PIN; QTY = 12) TE PART NO. 1663767-5 (SZ 22 FILLER PLUG; QTY = 38) TE PART NO. 208270-2 (SZ 16 CRIMP SKT; QTY = 4) TE PART NO. 1663767-7 (SZ 16 FILLER PLUG; QTY = 2) TE PART NO. 1663767-8 (SZ 12 FILLER PLUG; QTY = 4)	⚠	"09"	1996092-1

THIS DRAWING IS A CONTROLLED DOCUMENT. DWN: C.C. THOMAS 7-27-17
 CHK: R. LACUESTA 7-27-17
 APVD: R. LACUESTA 7-27-17

DIMENSIONS: INCHES [mm]

TOLERANCES UNLESS OTHERWISE SPECIFIED:
 0 PLC ±.
 1 PLC ±.
 2 PLC ±.
 3 PLC ±.005 (0.13)
 4 PLC ±.
 ANGLES ±.

MATERIAL: SEE TABLE FINISH: SEE TABLE

WEIGHT: - APPLICATION SPEC
 CUSTOMER DRAWING

SIZE: CAGE CODE DRAWING NO: RESTRICTED TO: A100779C=1996092
 SCALE: 3:2 SHEET 1 OF 1 REV J

TE Connectivity
 PLUG ASSEMBLY, SIZE 2, ARINC 600; (C4/11Q11/59)

X-ON Electronics

Largest Supplier of Electrical and Electronic Components

Click to view similar products for [Rack & Panel Connectors](#) category:

Click to view products by [TE Connectivity](#) manufacturer:

Other Similar products are found below :

[00170420102](#) [00171420202](#) [00171440002](#) [008026165000265](#) [00-8219-072-000-112P44](#) [008219072000112P5](#) [02-014-013-5200-000](#) [613467-000](#) [CTJ112E01E-513](#) [CTJ116E03A-513](#) [M81714/63-22S L/C](#) [M81714/65-12-1](#) [66020-2](#) [CW8958-000](#) [699886-000](#) [D250-50632](#)
[70.400.3240.0](#) [70.955.2453.3](#) [733753-000](#) [F22831-000](#) [780-522-DPX34RG8-02](#) [MMA25-0341D1](#) [8660-501](#) [87.060.0053.0](#) [900709N001](#)
[QRP4-12P-C\(01\)](#) [QR/P6-6S-C\(01\)](#) [AC-600003-004](#) [1218600-1](#) [D-659-0061](#) [DMC-MD 24 C-T](#) [1-445717-6](#) [1484398-2](#) [1484399-2](#) [1484469-2](#) [MR-34MG](#) [1484225-1](#) [1484398-1](#) [1604997-2](#) [1663130-1](#) [1663767-7](#) [1663767-8](#) [MTC100-BF1-P31CS015](#) [MTC100-KT2-0083](#) [MTC100-KT2-0123-003](#) [MTC100-YA1-005](#) [MTCB1X-105-XXX](#) [MTCPQKT1P2PGDC](#) [MTCPQKT1R2PGCA](#) [MTCR-103-04S](#)