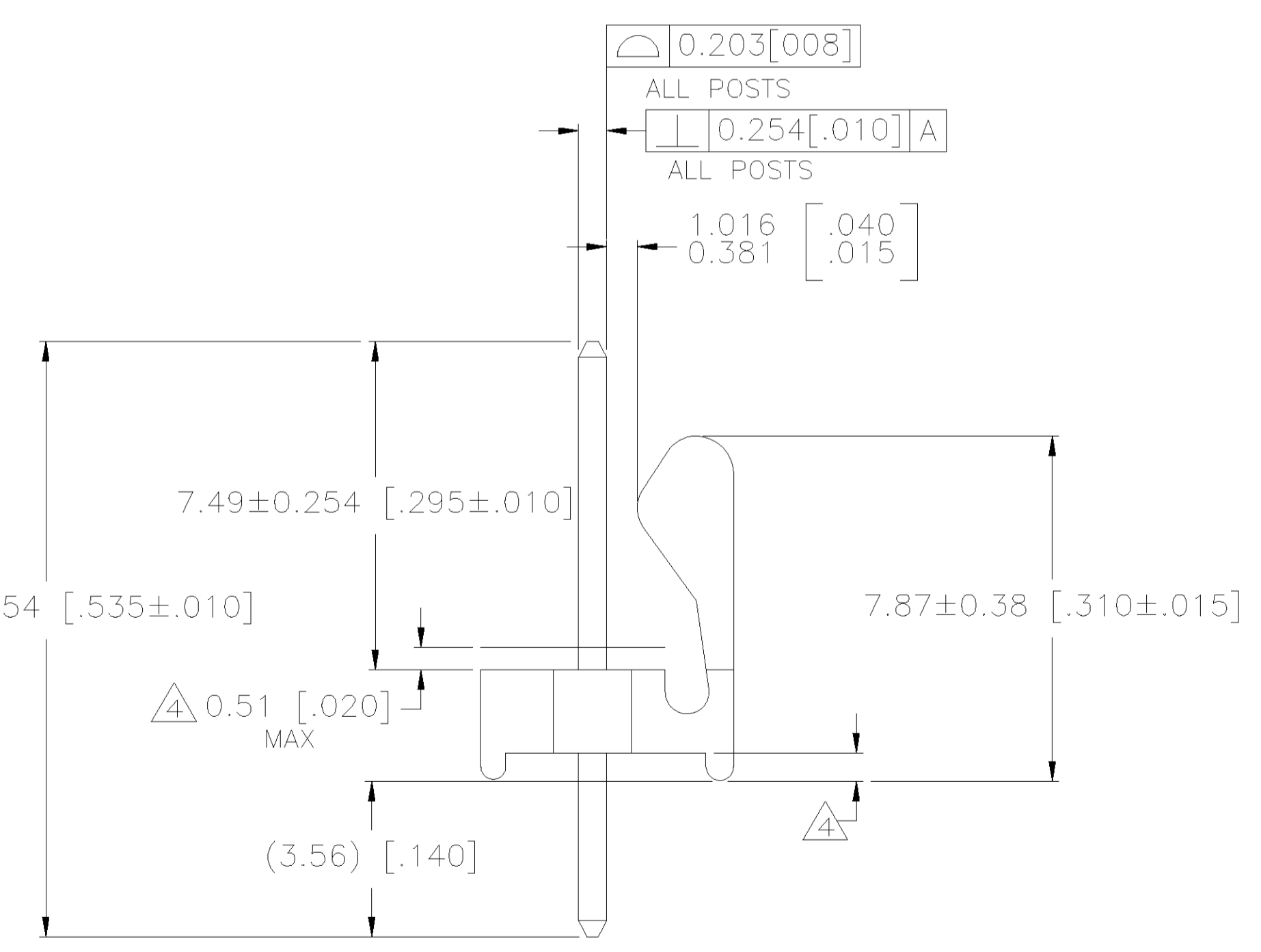
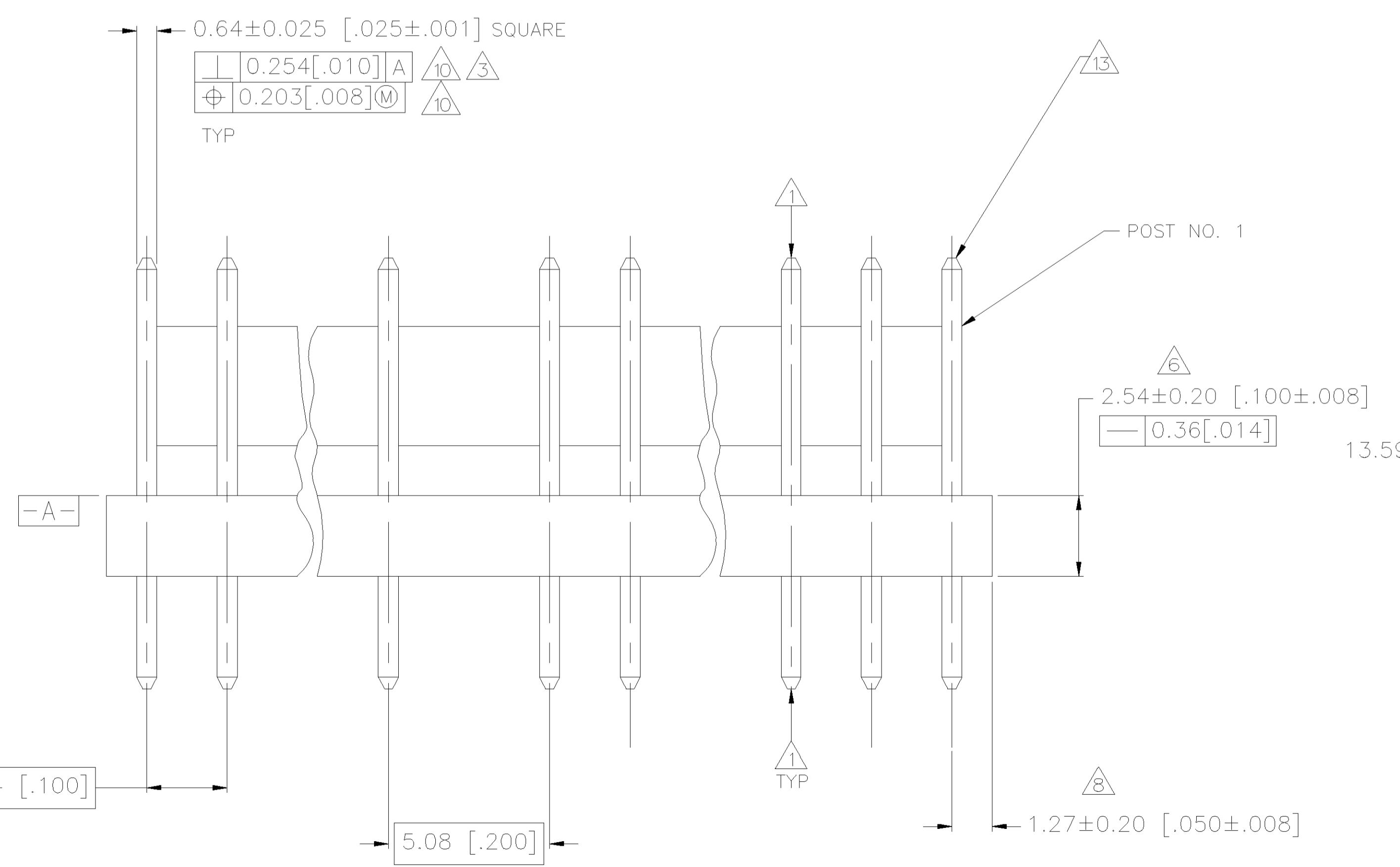
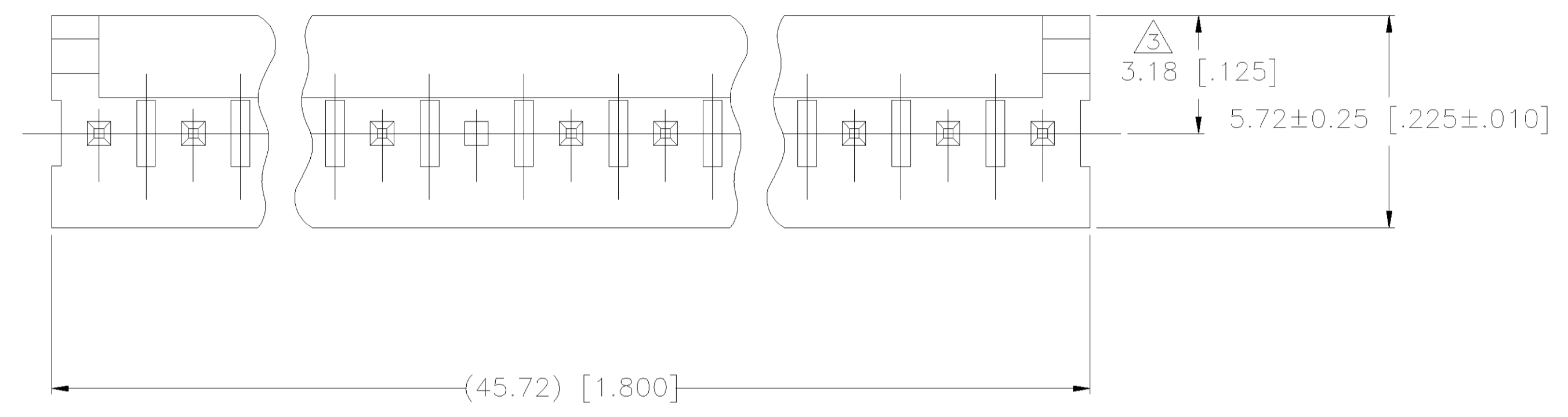


- 1 POST TO WITHSTAND 13 NEWTONS [3.0] LBS. MIN. AXIAL FORCE IN BOTH DIRECTIONS SHOWN WITHOUT DISLODGING.
- 2 TOLERANCES APPLY TO SOLDER SIDE OF BOARD.
- 3 MEASURED AT DATUM -A-
- 4 PLASTIC FLASH PERMITTED IN THIS AREA.
- 5 PARTS COMPLY WITH SOLDERABILITY SPEC. NO. 109-11-2.
- 6 ONE HOLE MAY BE UNDERSIZED 0.813-0.889 [.032-.035] DIA. FOR ASSEMBLY RETENTION DURING WAVE SOLDERING.
- 7 MATERIAL: HEADER-THERMOPLASTIC POLYESTER
UL94V-0(NATURAL)
POST-COPPER ALLOY (TIN-PLATED)
- 8 COORDINATE DIMENSION APPLIES FROM CENTER OF ACTUAL FEATURE.
- 9 PLASTIC BURRS CAUSED BY CUT-OFF TOOLING ARE PERMITTED WITHIN THE MAXIMUM TOLERANCE ENVELOPE.
- 10 POSTS TO BE MEASURED WHEN STRIP IS HELD FLAT.
- 11 POSTS MUST WITHSTAND TWO 90° BENDS AGAINST EXTRUSION WITHOUT BREAKING.
- 12 DIMENSION SHOULD BE 3.302 [.130] MIN WHEN MATING WITH A MTA 100 CONNECTOR ASSEMBLY OR A CST 100 CONNECTOR.
- 13 PIN BURR OF 0.127 [.005] MAX. HIGH AND 0.076 [.003] MAX. WIDE PERMITTED AT POST TIPS ON BOTH ENDS.

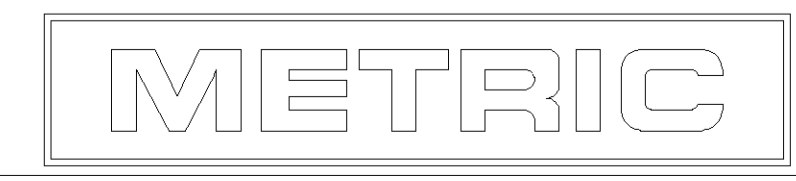
RECOMMENDED MOUNTING HOLE PATTERN FOR 1.60 [.063] THICK P.C. BOARD



PART SHOWN 647306-5

POST NUMBER OMITTED	PART NUMBER
9	647306-9
16	647306-8
10	647306-7
5	647306-6
7	647306-5
6	647306-4
4	647306-3
2	647306-2
3	647306-1

THIS DRAWING IS A CONTROLLED DOCUMENT.		OWN: S. HAMM 25-JUL-2001	tyco Tyco Electronics Corporation Harrisburg, PA 17105-3608
DIMENSIONS: MM [INCHES]		CHK: D. BOSSI 25-JUL-2001	
TOLERANCES UNLESS OTHERWISE SPECIFIED:		APVD: D. BOSSI 25-JUL-2001	NAME: ASSEMBLY, MTA-100 HEADER, FRICTION LOCK, NOTCHED, 0.635 [.025] SQUARE STRAIGHT POST, 18 POSITION W/OMITTED POST
0 PLG ± - 1 PLG ± - 2 PLG ± 0.13[.005] 3 PLG ± - 4 PLG ± - ANGLES FINISH ± 0°30'		PRODUCT SPEC	
MATERIAL		APPLICATION SPEC	RESTRICTED TO
		WEIGHT	SCALE: 8:1 SHEET 1 OF 1 REV C
		CUSTOMER DRAWING	



X-ON Electronics

Largest Supplier of Electrical and Electronic Components

Click to view similar products for [Headers & Wire Housings](#) category:

Click to view products by [TE Connectivity](#) manufacturer:

Other Similar products are found below :

[95000-104TRLF](#) [10135584-644402LF](#) [DF62W-EP2022PCA](#) [95000-106TRLF](#) [DF62W-2022SCA](#) [DF62W-EP2022PC](#) [2203348](#) [DF62W-2022SC](#) [1084018](#) [1029039](#) [1084017](#) [802-10-012-10-002000](#) [1112640](#) [1112639](#) [000-34000](#) [0009482033](#) [0009507031](#) [57102-S06-03LF](#) [57202-S52-04LF](#) [PCN6-15S-2.5E](#) [0039019024](#) [58102-G61-06LF](#) [582553-1](#) [0009485154](#) [0009508121](#) [0022285053](#) [0050291907](#) [018731A](#) [LY20-4P-DT1-P1E-BR](#) [02.125.8002.8](#) [60101931](#) [60598-1 \(Cut Strip\)](#) [M1625-3R/100](#) [61062-3](#) [61082-181009](#) [636-1427](#) [638009-1](#) [641938-9](#) [641991-4](#) [644168-1](#) [647662-1](#) [65039-019ELF](#) [65817-002LF](#) [65817-015LF](#) [65863-015LF](#) [66207-023LF](#) [67016-026LF](#) [67046-001LF](#) [67095-007LF](#) [67230-005LF](#)