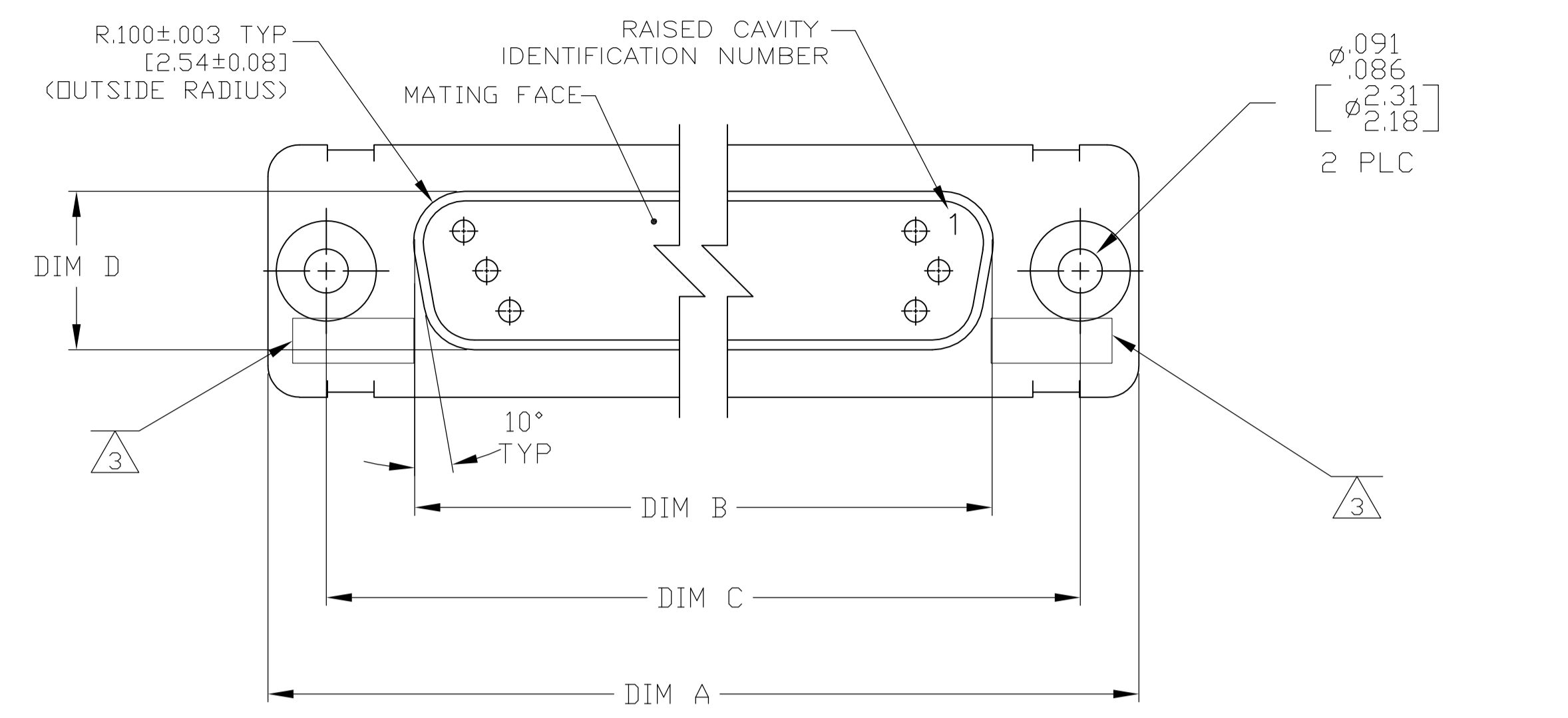
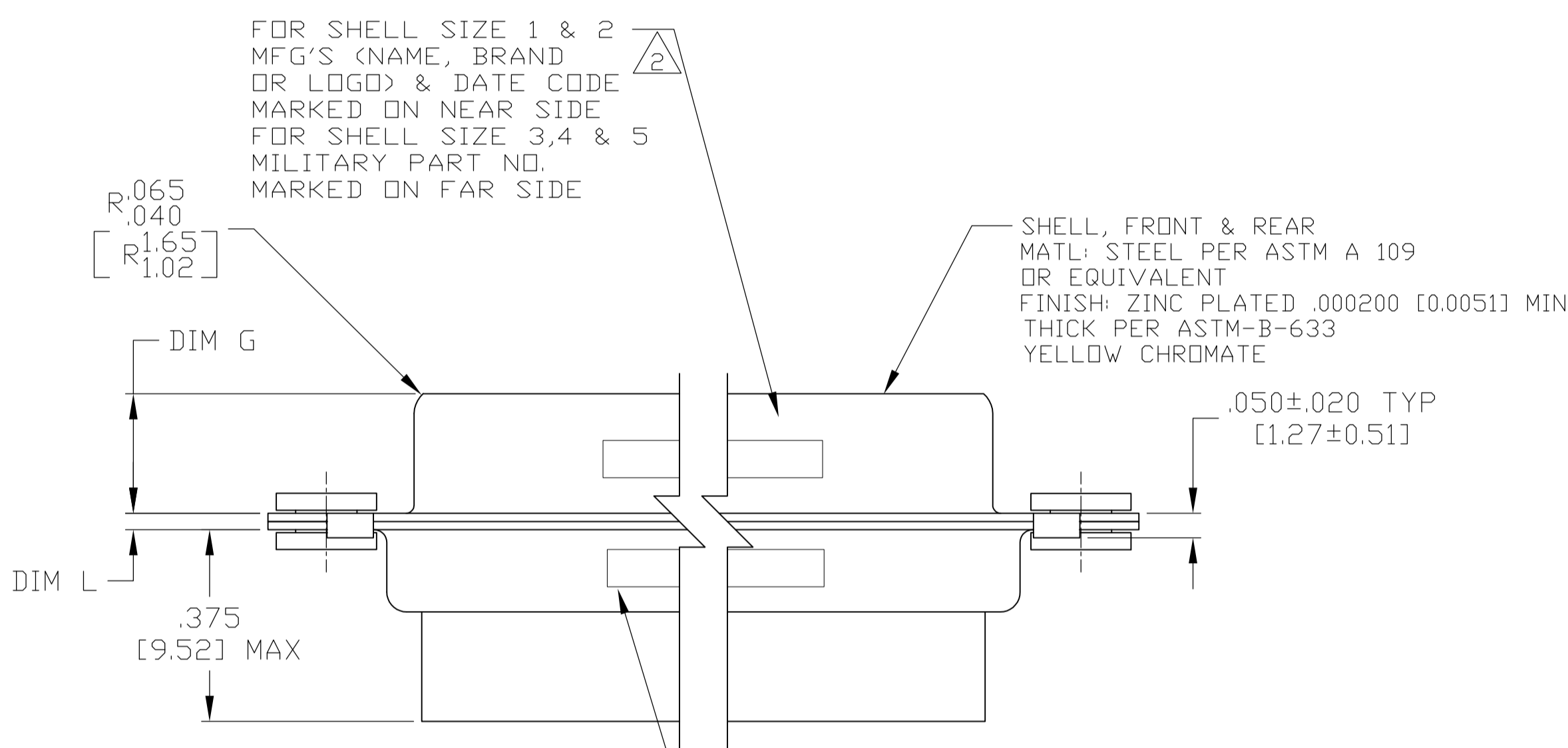


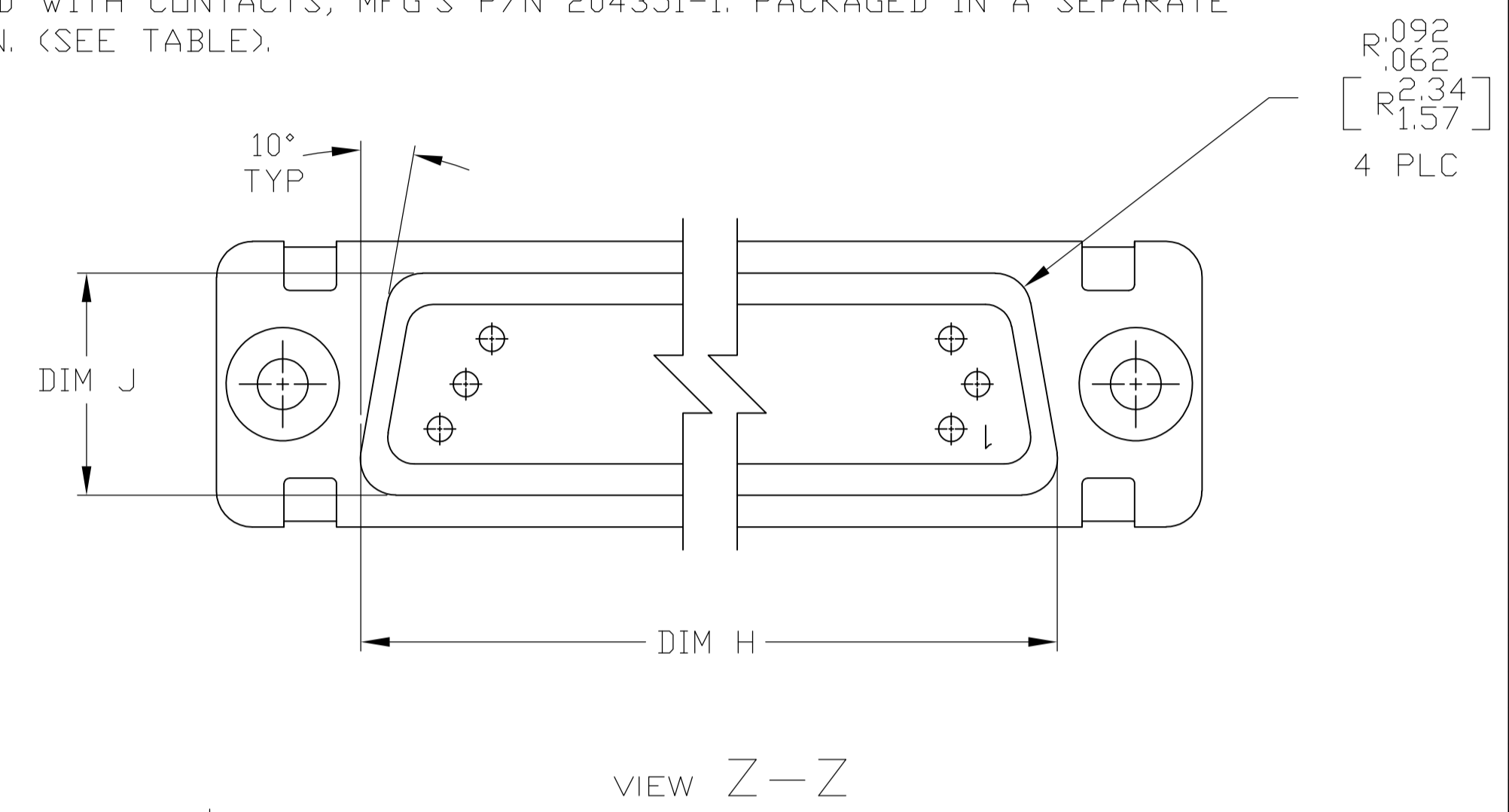
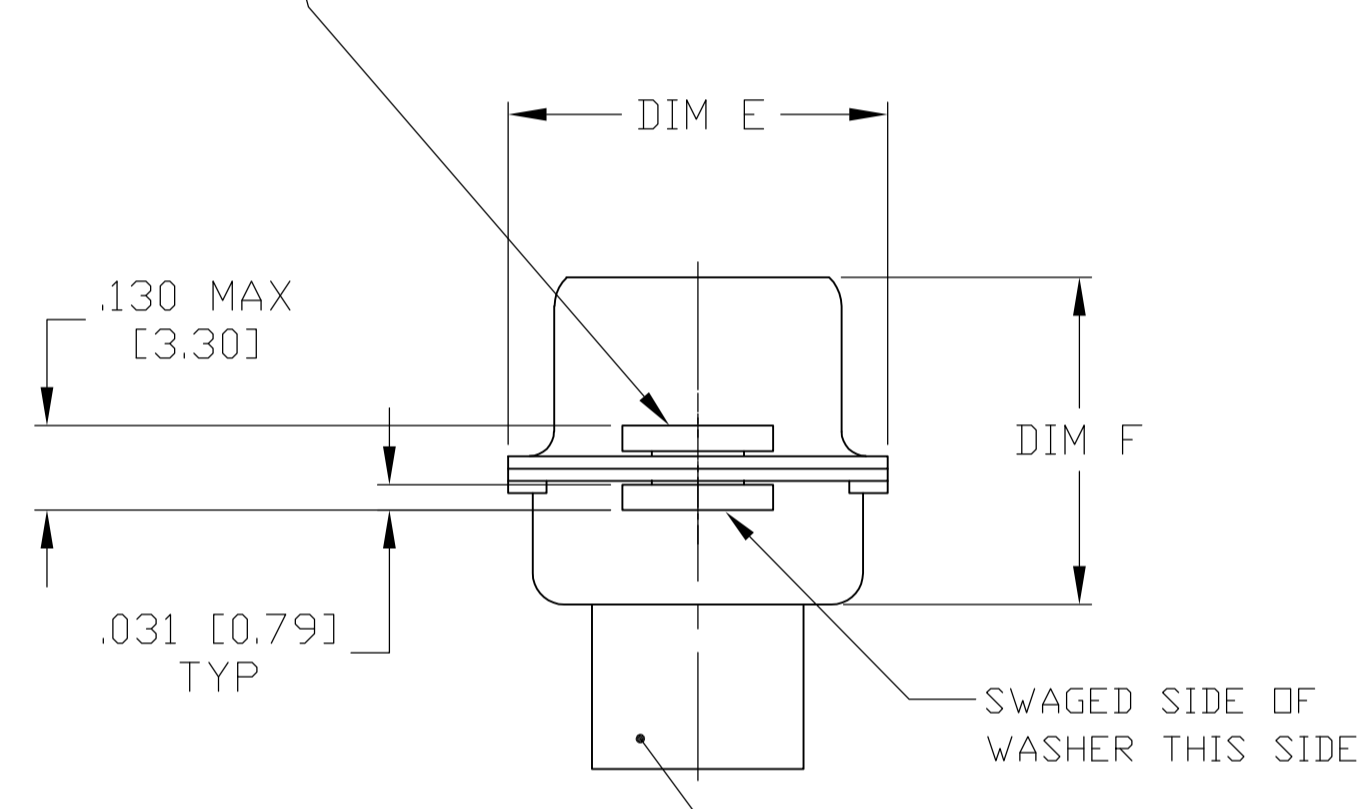
| REVISONS |                           | DATE        | DN      | APV   |
|----------|---------------------------|-------------|---------|-------|
| LOC      | DIST                      | DESCRIPTION |         |       |
| F        | REVISED PER ECO-15-016062 |             | 09NOV15 | KG CD |



1. THE CONNECTOR DESCRIBED IN THIS DOCUMENT WILL MATE WITH ANY PLUG CONNECTOR WITH THE SAME INSERT ARRANGEMENT.
2. MARKED WITH .047-.062 [1.19-1.57] HIGH CHARACTERS. FAR SIDE REFERS TO THE WIDE SIDE OF THE KEYSTONE. NEAR SIDE REFERS TO THE NARROW SIDE OF THE KEYSTONE. WHEN SPACE IS LIMITED MARKING CAN BE SPLIT BETWEEN FRONT AND REAR SHELL.
3. UL/CSA DESIGNATION STAMPED IN THIS AREA (EXCEPT FOR SIZE 6).
4. CONNECTOR ASSEMBLY WITHOUT CONTACTS, MFG'S P/N 204351-1. MUST BE ORDERED SEPARATELY.
5. CONNECTOR ASSEMBLY SUPPLIED WITH CONTACTS, MFG'S P/N 204351-1. PACKAGED IN A SEPARATE CONTAINER. QTY = NO. OF POSN. (SEE TABLE).



FLOATING BUSHING/WASHER, 2 REQ'D.  
 MATL: STAINLESS STEEL PER ASTM-A-582  
 FINISH: PASSIVATED PER QQ-P-35B  
 FLOATS .008±.004 [0.20±0.10] VERTICALLY AND .031 [0.79] HORIZONTALLY



SIZE 22 SOCKET CONTACT  
 BODY MATERIAL: COPPER ALLOY PER MIL-C-39029 & MIL-DTL-24308.  
 PLATING: GOLD PER ASTM-B-488 (TYPE III) OVER NICKEL PER QQ-N-290.  
 HOOD MATL: STAINLESS STEEL  
 FINISH: PASSIVATED

FOR SHELL SIZE 1 & 2 MFG'S PART NO. (SEE TABLE) MARKED ON NEAR SIDE MILITARY PART NO. (SEE TABLE) MARKED ON FAR SIDE FOR SHELL SIZE 3,4 & 5 MFG'S (NAME, BRAND OR LOGO), MFG'S PART NO. AND DATE CODE MARKED ON FAR SIDE

| REMARKS | MILITARY P/N ON PACKAGE | MILITARY P/N ON CONNECTOR | MARKED MFG'S PART NUMBER | L                          | J                            | H                              | G                          | F                            | E                            | D                            | C                              | B                              | A                              | INSERT ARRANGEMENT | NO OF POS | SHELL SIZE | PART NUMBER |
|---------|-------------------------|---------------------------|--------------------------|----------------------------|------------------------------|--------------------------------|----------------------------|------------------------------|------------------------------|------------------------------|--------------------------------|--------------------------------|--------------------------------|--------------------|-----------|------------|-------------|
| 5       | M24308/2-33Z            | M24308/2-33Z              | 1-1757826-2              | .049 [1.24]<br>.029 [0.74] | .606 [15.39]<br>.586 [14.88] | 2.312 [58.72]<br>2.292 [58.22] | .248 [6.30]<br>.238 [5.82] | .439 [11.15]<br>.419 [10.64] | .683 [17.35]<br>.653 [16.59] | .490 [12.45]<br>.480 [12.19] | 2.505 [63.63]<br>2.495 [63.37] | 2.194 [55.73]<br>2.184 [55.47] | 2.744 [69.70]<br>2.714 [68.94] | MS14004-1          | 104       | 6          | 1-1757826-2 |
| 5       | M24308/2-32Z            | M24308/2-32Z              | 1-1757826-1              | .049 [1.24]<br>.029 [0.74] | .544 [13.82]<br>.524 [13.31] | 2.188 [55.58]<br>2.168 [55.07] | .248 [6.30]<br>.238 [5.82] | .439 [11.15]<br>.419 [10.64] | .620 [15.75]<br>.590 [14.99] | .428 [10.87]<br>.418 [10.62] | 2.411 [61.24]<br>2.401 [60.99] | 2.069 [52.55]<br>2.059 [52.30] | 2.650 [67.31]<br>2.620 [66.55] | MS18277-2          | 78        | 5          | 1-1757826-1 |
| 5       | M24308/2-31Z            | M24308/2-31Z              | 1-1757826-0              | .049 [1.24]<br>.029 [0.74] | .432 [10.97]<br>.412 [10.46] | 2.282 [57.96]<br>2.262 [57.45] | .248 [6.30]<br>.238 [5.82] | .439 [11.15]<br>.419 [10.64] | .509 [12.93]<br>.479 [12.17] | .316 [8.03]<br>.306 [7.77]   | 2.505 [63.63]<br>2.495 [63.37] | 2.164 [54.97]<br>2.154 [54.71] | 2.744 [69.70]<br>2.714 [68.94] | MS18276-2          | 62        | 4          | 1-1757826-0 |
| 5       | M24308/2-30Z            | M24308/2-30Z              | 1757826-9                | .049 [1.24]<br>.029 [0.74] | .432 [10.97]<br>.412 [10.46] | 1.635 [41.53]<br>1.615 [41.02] | .248 [6.30]<br>.238 [5.82] | .439 [11.15]<br>.419 [10.64] | .509 [12.93]<br>.479 [12.17] | .316 [8.03]<br>.306 [7.77]   | 1.857 [47.17]<br>1.847 [46.91] | 1.516 [38.51]<br>1.506 [38.25] | 2.103 [53.42]<br>2.073 [52.65] | MS18275-2          | 44        | 3          | 1757826-9   |
| 5       | M24308/2-29Z            | M24308/2-29Z              | 1757826-8                | .040 [1.02]<br>.020 [0.51] | .432 [10.97]<br>.412 [10.46] | 1.093 [27.76]<br>1.073 [27.25] | .248 [6.30]<br>.238 [5.82] | .439 [11.15]<br>.419 [10.64] | .509 [12.93]<br>.479 [12.17] | .316 [8.03]<br>.306 [7.77]   | 1.317 [33.45]<br>1.307 [33.20] | .976 [24.79]<br>.966 [24.54]   | 1.556 [39.52]<br>1.526 [38.76] | MS18274-2          | 26        | 2          | 1757826-8   |
| 5       | M24308/2-28Z            | M24308/2-28Z              | 1757826-7                | .040 [1.02]<br>.020 [0.51] | .432 [10.97]<br>.412 [10.46] | .769 [19.53]<br>.749 [19.02]   | .248 [6.30]<br>.238 [5.82] | .439 [11.15]<br>.419 [10.64] | .509 [12.93]<br>.479 [12.17] | .316 [8.03]<br>.306 [7.77]   | .989 [25.12]<br>.979 [24.87]   | .648 [16.46]<br>.638 [16.21]   | 1.228 [31.19]<br>1.198 [30.43] | MS18273-2          | 15        | 1          | 1757826-7   |
| 4       | M24308/2-302Z           | M24308/2-33Z              | 1-1757826-2              | .049 [1.24]<br>.029 [0.74] | .606 [15.39]<br>.586 [14.88] | 2.312 [58.72]<br>2.292 [58.22] | .248 [6.30]<br>.238 [5.82] | .439 [11.15]<br>.419 [10.64] | .683 [17.35]<br>.653 [16.59] | .490 [12.45]<br>.480 [12.19] | 2.505 [63.63]<br>2.495 [63.37] | 2.194 [55.73]<br>2.184 [55.47] | 2.744 [69.70]<br>2.714 [68.94] | MS14004-1          | 104       | 6          | 1757826-6   |
| 4       | M24308/2-301Z           | M24308/2-32Z              | 1-1757826-1              | .049 [1.24]<br>.029 [0.74] | .544 [13.82]<br>.524 [13.31] | 2.188 [55.58]<br>2.168 [55.07] | .248 [6.30]<br>.238 [5.82] | .439 [11.15]<br>.419 [10.64] | .620 [15.75]<br>.590 [14.99] | .428 [10.87]<br>.418 [10.62] | 2.411 [61.24]<br>2.401 [60.99] | 2.069 [52.55]<br>2.059 [52.30] | 2.650 [67.31]<br>2.620 [66.55] | MS18277-2          | 78        | 5          | 1757826-5   |
| 4       | M24308/2-300Z           | M24308/2-31Z              | 1-1757826-0              | .049 [1.24]<br>.029 [0.74] | .432 [10.97]<br>.412 [10.46] | 2.282 [57.96]<br>2.262 [57.45] | .248 [6.30]<br>.238 [5.82] | .439 [11.15]<br>.419 [10.64] | .509 [12.93]<br>.479 [12.17] | .316 [8.03]<br>.306 [7.77]   | 2.505 [63.63]<br>2.495 [63.37] | 2.164 [54.97]<br>2.154 [54.71] | 2.744 [69.70]<br>2.714 [68.94] | MS18276-2          | 62        | 4          | 1757826-4   |
| 4       | M24308/2-299Z           | M24308/2-30Z              | 1757826-9                | .049 [1.24]<br>.029 [0.74] | .432 [10.97]<br>.412 [10.46] | 1.635 [41.53]<br>1.615 [41.02] | .248 [6.30]<br>.238 [5.82] | .439 [11.15]<br>.419 [10.64] | .509 [12.93]<br>.479 [12.17] | .316 [8.03]<br>.306 [7.77]   | 1.857 [47.17]<br>1.847 [46.91] | 1.516 [38.51]<br>1.506 [38.25] | 2.103 [53.42]<br>2.073 [52.65] | MS18275-2          | 44        | 3          | 1757826-3   |
| 4       | M24308/2-298Z           | M24308/2-29Z              | 1757826-8                | .040 [1.02]<br>.020 [0.51] | .432 [10.97]<br>.412 [10.46] | 1.093 [27.76]<br>1.073 [27.25] | .248 [6.30]<br>.238 [5.82] | .439 [11.15]<br>.419 [10.64] | .509 [12.93]<br>.479 [12.17] | .316 [8.03]<br>.306 [7.77]   | 1.317 [33.45]<br>1.307 [33.20] | .976 [24.79]<br>.966 [24.54]   | 1.556 [39.52]<br>1.526 [38.76] | MS18274-2          | 26        | 2          | 1757826-2   |
| 4       | M24308/2-297Z           | M24308/2-28Z              | 1757826-7                | .040 [1.02]<br>.020 [0.51] | .432 [10.97]<br>.412 [10.46] | .769 [19.53]<br>.749 [19.02]   | .248 [6.30]<br>.238 [5.82] | .439 [11.15]<br>.419 [10.64] | .509 [12.93]<br>.479 [12.17] | .316 [8.03]<br>.306 [7.77]   | .989 [25.12]<br>.979 [24.87]   | .648 [16.46]<br>.638 [16.21]   | 1.228 [31.19]<br>1.198 [30.43] | MS18273-2          | 15        | 1          | 1757826-1   |

THIS DRAWING IS A CONTROLLED DOCUMENT. DIMENSIONS: INCHES (mm). TOLERANCES UNLESS OTHERWISE SPECIFIED: 0 PLC ± .005 [0.13], 1 PLC ± .005 [0.13], 2 PLC ± .005 [0.13], 3 PLC ± .005 [0.13], 4 PLC ± .005 [0.13]. ANGLES: ± 1'.

MATERIAL: SEE CALLOUTS. FINISH: SEE CALLOUTS.

APPROVED: D.MILLER. DATE: 6-8-05. DRAWING NO: 00779. CUSTOMER DRAWING.

STE TE Connectivity. AMPLIMITE RECEPTACLE ASSY, SIZE 1 THRU 6 SERIES 90 WITH ZINC PLATING AND FLOAT BUSHINGS.

SCALE: 4:1. SHEET 1 OF 1. REV F.

## X-ON Electronics

Largest Supplier of Electrical and Electronic Components

*Click to view similar products for [D-Sub MIL Spec Connectors](#) category:*

*Click to view products by [TE Connectivity](#) manufacturer:*

Other Similar products are found below :

[M24308/4-13Z](#) [M8351307-B](#) [D38999/20FJ43HN](#) [D38999/24WG11PB-LC](#) [D38999/24WG41HN](#) [MDM-15PH041P](#) [MDM-21PH041P](#) [MDM-21SH003B-K139](#) [850-056-0812](#) [1218697-4](#) [DBMM25S](#) [MS27467T21F41S](#) [17D25HV](#) [1996840-1](#) [243082-15](#) [1663962-1](#) [1757682-1](#) [17D-E51218-1](#) [17SDA15S](#) [1883533-1](#) [1883886-1](#) [1883889-1](#) [192900-0377](#) [308-CP6P0441-024H](#) [M24308/2-3Z](#) [M24308/4-3Z](#) [M24308/4-4F](#) [M24308/4-4Z](#) [M24308/8-347](#) [M83513/03-E09C](#) [M83723/75W2212N L/C](#) [D38999/24FJ29PN-LC](#) [D38999/24WG11SB-LC](#) [MDM-21PH046P](#) [5-1218949-1](#) [550-031NF1R6K](#) [550E001NF1R3J0L](#) [550T001NF1R6K0L](#) [557T283NF5B08](#) [C115368-1612B](#) [C115370-1717B](#) [DC121073157](#) [443869-3](#) [443869-4](#) [443869-5](#) [550S004NF1R1B0F03](#) [550-031NF1R2E](#) [550E003M2R9J0F04](#) [550E003M3R9J0F05](#) [550E024M104R9J0](#)