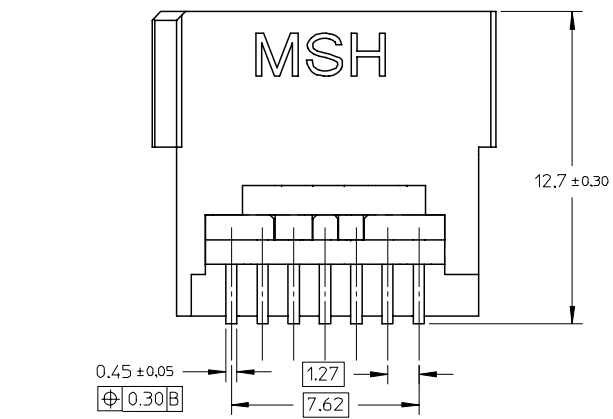
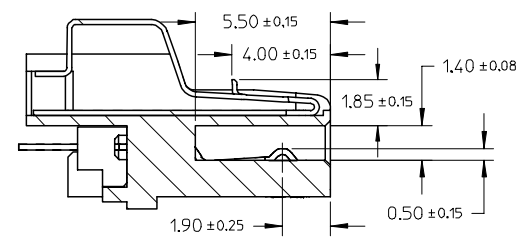
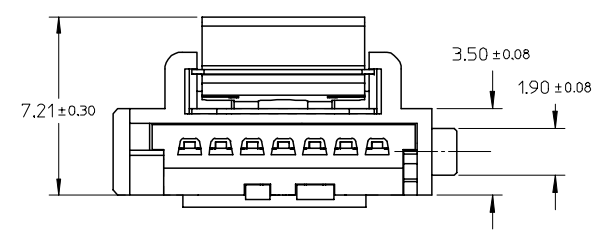
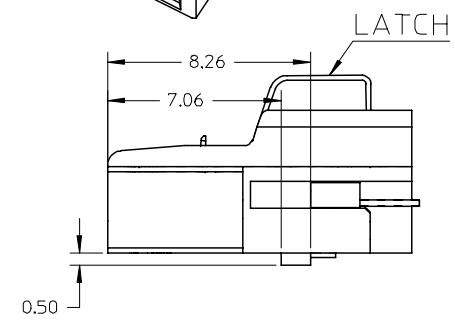
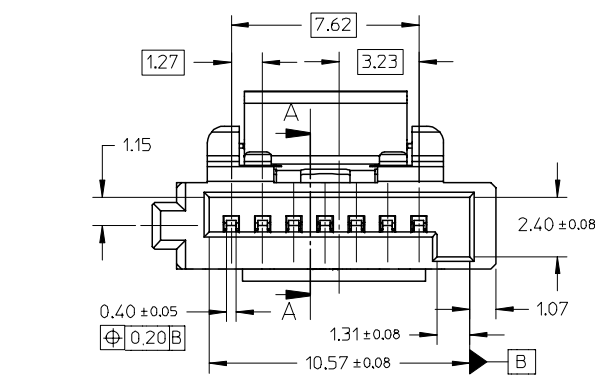


- NOTES:
- MATERIAL:
    - HOUSING: THERMAL PLASTIC, GLASS FILLED, UL94V-0, COLOR: BLACK
    - COVER: THERMAL PLASTIC, UL94V-0, COLOR: BLACK
    - TERMINAL: COPPER ALLOY
    - METAL LATCH: STAINLESS STEEL, THICKNESS=0.20MM
  - TERMINAL PLATING:
    - CONTACT AREA: GOLD PLATED
    - SOLDER TAIL: TIN, THICKNESS=1.27 MICRONS MINIMUM
    - UNDER PLATE: NICKEL, THICKNESS=1.27 MICRONS MINIMUM
  - PACKAGING: TRAY
  - PRODUCT SPECIFICATION REFER TO PS-67490-00\*
  - MATING PART 67800, 47080 SERIES



P/N	PLATING TYPE	REMARK
67489-9001	GOLD FLASH	METAL LATCH
67489-9002	GOLD PLATED 0.76 MICRONS	NONE BUMP
67489-9005	GOLD PLATED 0.38 MICRONS	TYPE ONLY

<b>ADD PART NUMBER</b> EC NO: SH2007-0333 DRWN: BCHENZ6 CHKD: JTIAN APPR: JNCHEN	<b>QUALITY SYMBOLS</b> ▽=0 ▽=0	<b>GENERAL TOLERANCES (UNLESS SPECIFIED)</b>		<b>DIMENSION STYLE</b> MM ONLY		SCALE 5:1	DESIGN UNITS METRIC	THIRD ANGLE PROJECTION	
		4 PLACES ± --- ± --- 3 PLACES ± --- ± --- 2 PLACES ± 0.2 ± --- 1 PLACE ± 0.25 ± ---	mm INCH	DRAWN BY GRATE MA	DATE 2004/03/25	TITLE SERIAL ATA RECEPTACLE CABLE END CONNECTOR STRAIGHT TYPE			
		ANGULAR ± 1 °		CHECKED BY YA JUN	DATE 2004/03/25	MOLEX INCORPORATED			
		DRAFT WHERE APPLICABLE MUST REMAIN WITHIN DIMENSIONS		APPROVED BY SAM	DATE 2004/03/25	MATERIAL NO. SEE TABLE	DOCUMENT NO. SD-67489-002	SHEET NO. 1 OF 3	

10 9 8 7 6 5 4 3 2 1

F

E

D

C

B

A

F

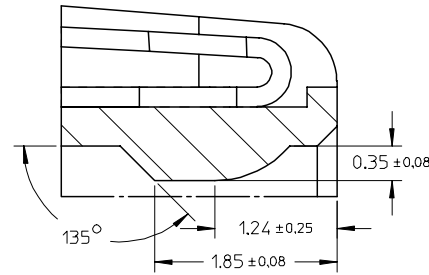
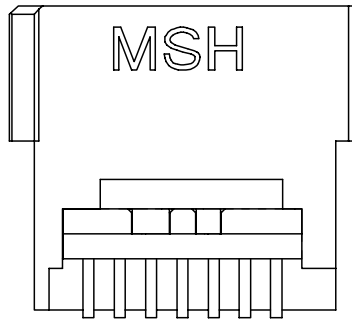
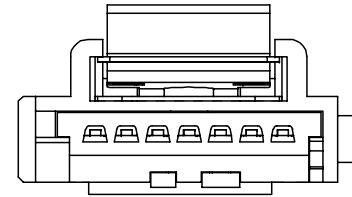
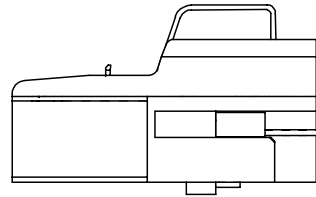
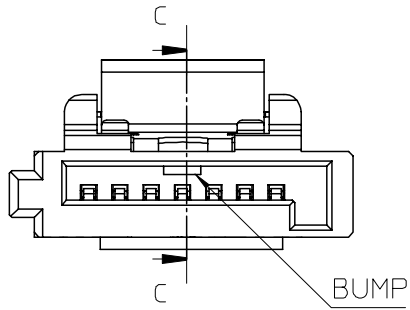
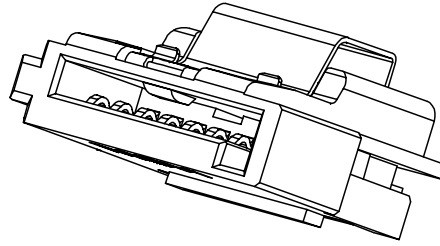
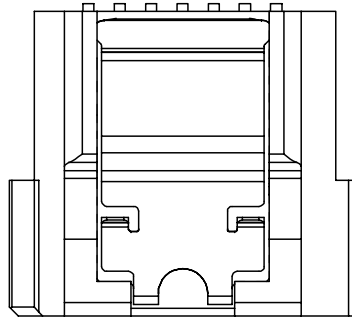
E

D

C

B

A



SECTION C-C

P/N	PLATING TYPE	REMARK
67489-7001	GOLD FLASH	BOTH METAL LATCH
67489-7002	GOLD PLATED 0.76 MICRONS	AND BUMP TYPE
67489-7005	GOLD PLATED 0.38 MICRONS	

ADD PART NUMBER EC NO: SH2007-0333 DRWN: BCHENZ6 2006/11/09 CHKD: JTIAN 2006/11/10 APPR: JNCHEN 2006/11/16	QUALITY SYMBOLS
	▽=0
	∇=0
	REV

DESCRIPTION
-------------

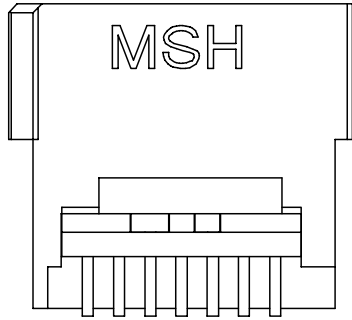
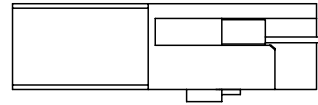
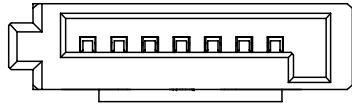
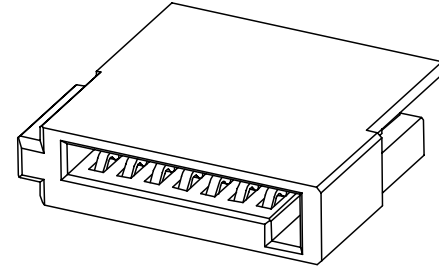
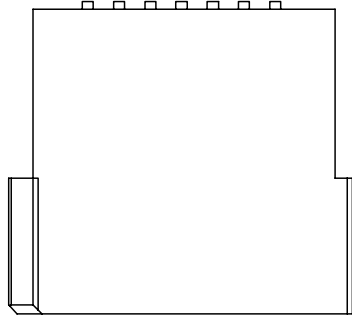
GENERAL TOLERANCES (UNLESS SPECIFIED)	DIMENSION STYLE MM ONLY	
	mm	INCH
4 PLACES	± ---	± ---
3 PLACES	± ---	± ---
2 PLACES	± 0.2	± ---
1 PLACE	± 0.25	± ---
ANGULAR ± 1 °		
DRAFT WHERE APPLICABLE MUST REMAIN WITHIN DIMENSIONS		

DRAWN BY GRATE MA	DATE 2004/03/25
CHECKED BY YAJUN	DATE 2004/03/25
APPROVED BY SAM	DATE 2004/03/25
MATERIAL NO.	
SEE TABLE	

SCALE 5:1	DESIGN UNITS METRIC	THIRD ANGLE PROJECTION
TITLE SERIAL ATA RECEPTACLE CABLE END CONNECTOR STRAIGHT TYPE		
MOLEX INCORPORATED		
DOCUMENT NO. SD-67489-002	SHEET NO. 2 OF 3	
THIS DRAWING CONTAINS INFORMATION THAT IS PROPRIETARY TO MOLEX INCORPORATED AND SHOULD NOT BE USED WITHOUT WRITTEN PERMISSION		

9 8 7 6 5 4 3 2 1

10 9 8 7 6 5 4 3 2 1



DIMENSION REFER TO 67489-9\*

P/N	PLATING TYPE	REMARK
67489-6001	GOLD FLASH	WITHOUT METAL LATCH
67489-6002	GOLD PLATED 0.76 MICRONS	AND BUMP TYPE
67489-6005	GOLD PLATED 0.38 MICRONS	



ADD PART NUMBER EC NO: SH2007-0333 DRWN: BCHENZ6 2006/11/09 CHKD: JTIAN 2006/11/10 APPR: JNCHEN 2006/11/16	QUALITY SYMBOLS
	▽=0
	∇=0
	REV

GENERAL TOLERANCES (UNLESS SPECIFIED)	DIMENSION STYLE MM ONLY	
	mm	INCH
	4 PLACES ± ---	± ---
	3 PLACES ± ---	± ---
DRAFT WHERE APPLICABLE MUST REMAIN WITHIN DIMENSIONS	2 PLACES ± 0.2	± ---
	1 PLACE ± 0.25	± ---
	ANGULAR ± 1 °	
	SEE TABLE	

DRAWN BY	DATE
GRATE MA	2004/03/25
CHECKED BY	DATE
YA JUN	2004/03/25
APPROVED BY	DATE
SAM	2004/03/25
MATERIAL NO.	
SIZE A3	

SCALE 5:1	DESIGN UNITS METRIC	THIRD ANGLE PROJECTION
TITLE SERIAL ATA RECEPTACLE CABLE END CONNECTOR STRAIGHT TYPE		
MOLEX INCORPORATED		
DOCUMENT NO. SD-67489-002	SHEET NO. 3 OF 3	

9 8 7 6 5 4 3 2 1

## X-ON Electronics

Largest Supplier of Electrical and Electronic Components

*Click to view similar products for [I/O Connectors](#) category:*

*Click to view products by [Molex](#) manufacturer:*

Other Similar products are found below :

[571763P](#) [58098-0628](#) [61-168618-12P](#) [D38999/20FJ24PA L/C](#) [D38999/20FJ29SB L/C](#) [D38999/24FG11SN L/C](#) [72.250.1628.2](#) [72.250.2428.2](#)  
[74720-0505](#) [76.350.0729.0](#) [76871-1403](#) [FCN-244F080-G/1](#) [FCN-260A9920](#) [FCN-268D024-G/2F#10X-R10](#) [PCS-E50FA](#) [PCS-XE26LKA](#)  
[PCS-XE26MA+](#) [PCS-XES68MS+](#) [G38A71314B](#) [91-569719-35R](#) [9776-18-6](#) [DX40-50P\(55\)](#) [1571250010](#) [157-22500-3](#) [MS3476W12-10S](#)  
[L/C](#) [1888020-8](#) [91-569786-35H](#) [91-569786-35M](#) [91-644626-35P](#) [172501-4002](#) [172501-6002](#) [FCN-260C008-A/L0](#) [FCN-260C024-AL0](#)  
[FCN-261Z008](#) [FCN-268D008-G/1K](#) [2000314-1](#) [200331-1](#) [2007498-2](#) [PCR-E28LMDAG1+](#) [PCR-E36FC+](#) [PCS-E28FS+](#) [PCS-XE26SLFD+](#)  
[PCS-XE26SLFDT+](#) [G38A71214B](#) [HDRA-E68W1LFDTC-SL+](#) [HDR-E14MSG1+](#) [R88A-CNK81S](#) [CRT1-ATT02](#) [54182-0605](#)  
[U90B2054081210](#)