

4

3

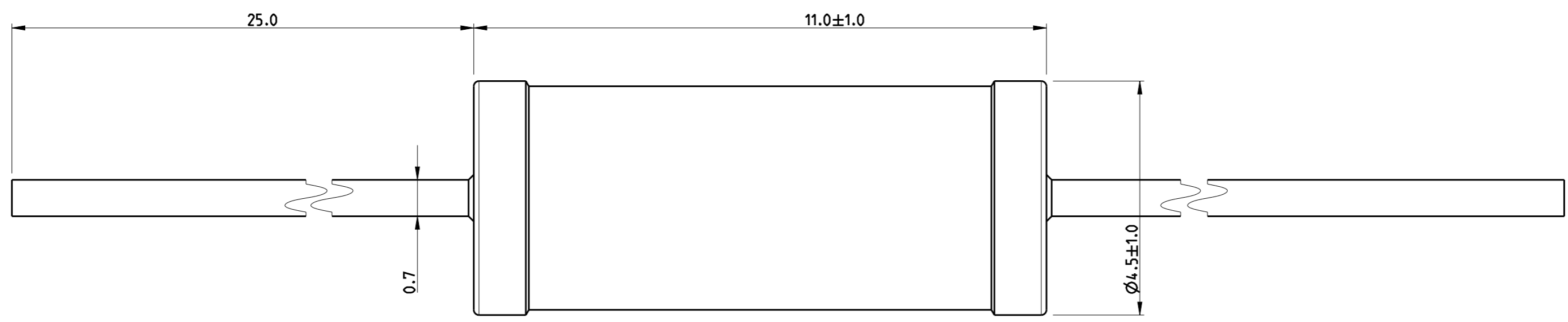
2

1

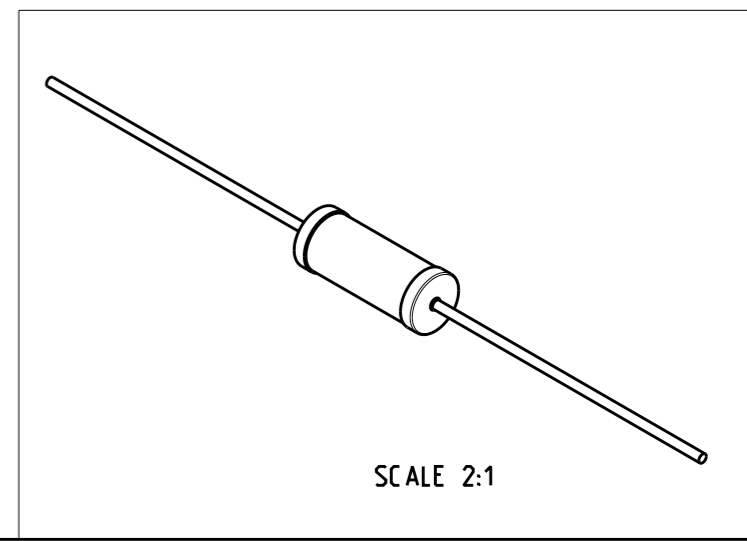
THIS DRAWING IS UNPUBLISHED. RELEASED FOR PUBLICATION 2009
 © COPYRIGHT 2009 BY - ALL RIGHTS RESERVED.

LOC	DIST	REVISIONS			
P	LTR	DESCRIPTION	DATE	DWN	APVD
E	B	BA	NEW RELEASE	25JUL2012	KR TN

FOR FURTHER INFORMATION SEE DATA SHEET FOR
 SERIES FRN: FLAME-PROOF FUSIBLE RESISTORS



RoHS Compliant



THIS DRAWING IS A CONTROLLED DOCUMENT.		DWN 25JUL2012 RAGHAVENDRA K		
DIMENSIONS: mm		CHK 25JUL2012 ALLAN.P		
TOLERANCES UNLESS OTHERWISE SPECIFIED:		APVD 25JUL2012 TONY N	NAME FLAME-PROOF FUSIBLE RESISTORS SERIES FRN200S	
0 PLC ±0.2		PRODUCT SPEC	-	
1 PLC ±0.1		APPLICATION SPEC	-	
2 PLC ±		WEIGHT	-	
3 PLC ±		Customer Drawing	SIZE A3	CAGE CODE 00779
4 PLC ±		FINISH	DRAWING NO C-1879228	RESTRICTED TO
ANGLES 5°			SCALE 10:1	SHEET 1 OF 1
MATERIAL -				REV BA

X-ON Electronics

Largest Supplier of Electrical and Electronic Components

Click to view similar products for [Metal Film Resistors - Through Hole](#) category:

Click to view products by [TE Connectivity](#) manufacturer:

Other Similar products are found below :

[FRN25J330R](#) [FRN50J1R0S](#) [H4100RBYA](#) [H415RBZA](#) [H41K1BYA](#) [H41K5BYA](#) [H41M0BDA](#) [H420R5BCA](#) [H421R5BZA](#) [H4221RBYA](#)
[H424K3BDA](#) [H442K2BDA](#) [H45K62BZA](#) [H4634RBZA](#) [H473R2BZA](#) [H4931KBZA](#) [H8160KFDA](#) [H8274KBZA](#) [H82K0FDA](#) [H82K0FZA](#)
[H87K5DYA](#) [RLR05C6201GS](#) [HR01623J](#) [HR01682J](#) [270-1.69M-RC](#) [LR0204F110R](#) [LR0204F18R](#) [LR0204F20K](#) [LR0204F20R](#)
[LR0204F510R](#) [LR1F121R](#) [LR1F133K](#) [LR1F383R](#) [LR1F3K01](#) [LR1F4K75](#) [LR2F330RJIT](#) [LR2F51R](#) [LR2F910R](#) [ERX-2SZJR20E](#)
[SQMR74K7J](#) [FMF-25FTF52-100K](#) [FRN50J100RS](#) [FRN50J470RS](#) [H4100RBZA](#) [H414R3BZA](#) [H415KBYA](#) [H4174KBZA](#) [H4174RBDA](#)
[H41K21BYA](#) [H41K43BDA](#)