

THIS DRAWING IS UNPUBLISHED.

RELEASED FOR PUBLICATION

20

© COPYRIGHT 20

Tyco Electronics AMP GmbH

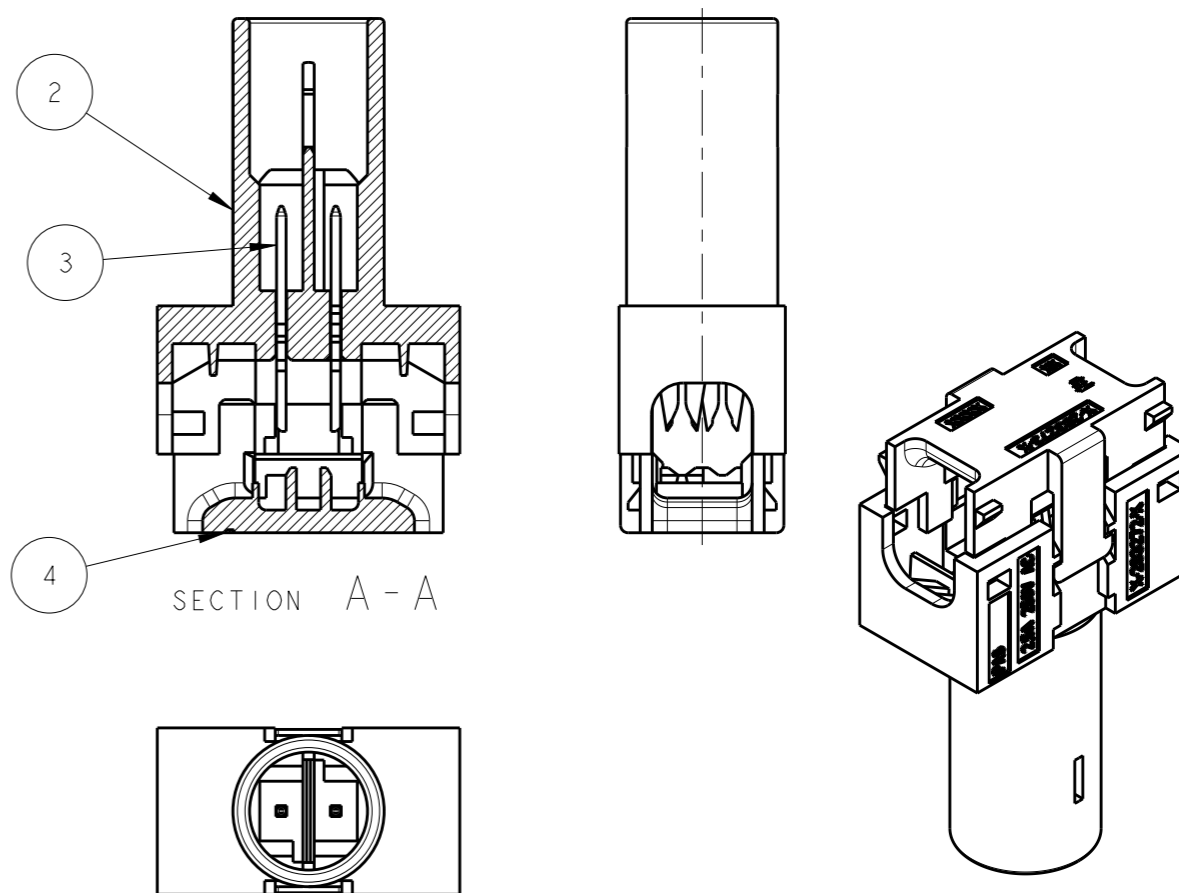
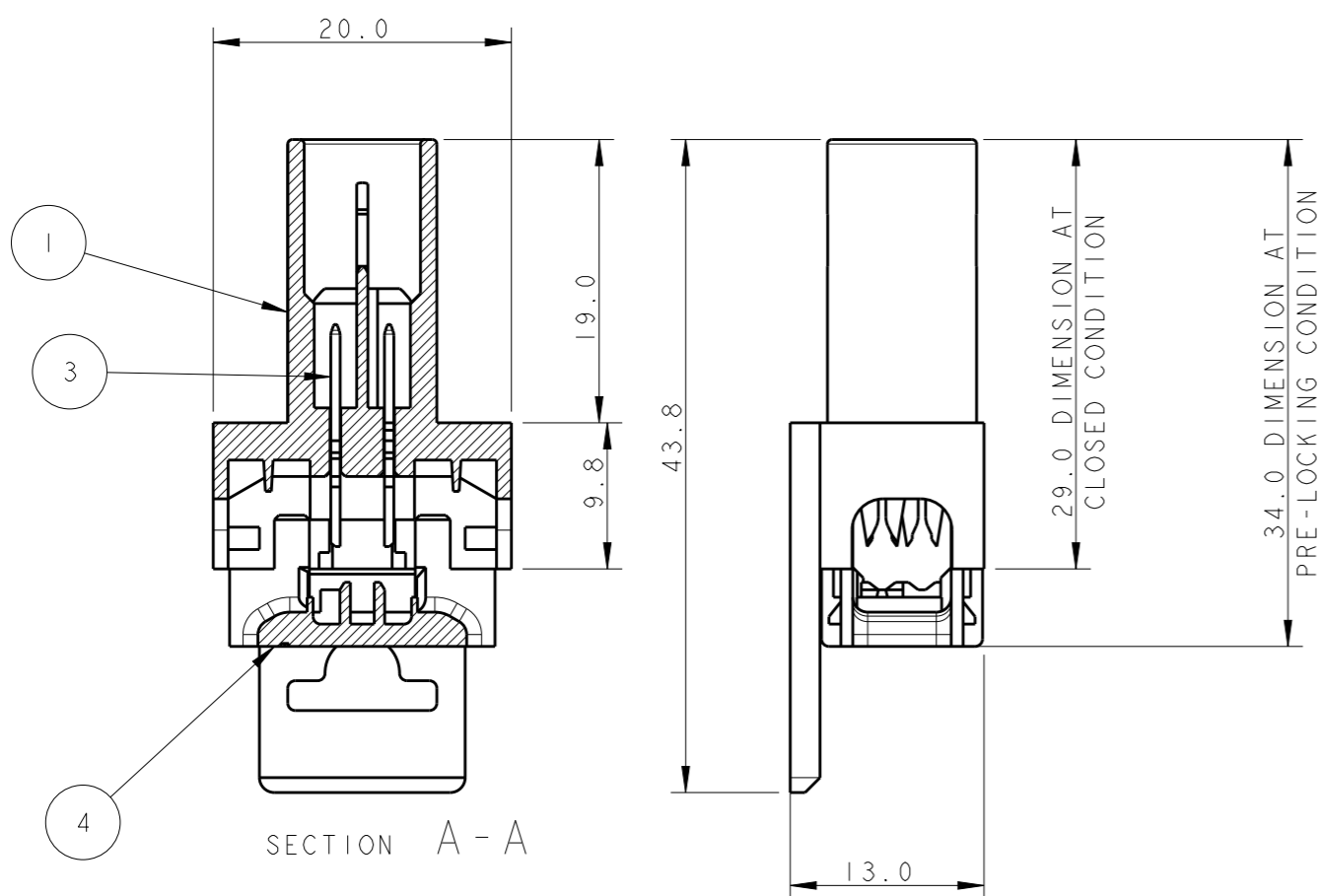
ALL RIGHTS RESERVED.

LOC
A1

DIST
-

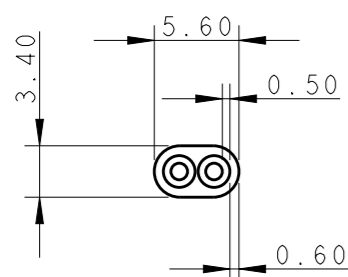
REVISIONS

| P | LTR | DESCRIPTION | DATE | DWN | APVD |
|---|-----|----------------------------------|-----------|-----|------|
| L | | IMPROVED LOCKING RETENTION TEETH | 20MAY2011 | AV | GT |
| M | | REMOVED H05VVH2-F CABLE | 22AUG2012 | MZ | JC |
| N | | ECR-16-004670 | 26APR2016 | RS | JL |



CABLE CONFIGURATION

CABLE H03VVH2-F
2x0.75 mm²



P/N 0-293300-1;-2 AS SHOWN
POLARIZATION KEY HV-1

MISSING DIMENSION SEE P/N 0-...-1

P/N 0-293300-3;-4 AS SHOWN
POLARIZATION KEY HV-1

THIS DRAWING IS A CONTROLLED DOCUMENT.

DWN 23APR2007
A. Vecchia
CHK 23APR2007
G. Turco
APVD 23APR2007
G. Turco

STE TE Connectivity

| | |
|-------------------|--|
| DIMENSIONS: mm | TOLERANCES UNLESS OTHERWISE SPECIFIED: |
| | 0 PLC ±- |
| | 1 PLC ±0.3 |
| | 2 PLC ±0.05 |
| | 3 PLC ±- |
| | 4 PLC ±- |
| | ANGLES ±° |
| MATERIAL - | FINISH - |

PRODUCT SPEC
108-94018
APPLICATION SPEC
114-20131
WEIGHT -

| | | |
|---------------------------------------|--------------------|------------------------|
| NAME BUS BAR 2 POSITION GENERAL | | RESTRICTED TO |
| SIZE A3 | CAGE CODE 00779 | DRAWING NO C-293300 |

CUSTOMER DRAWING SCALE 2:1 SHEET 1 OF 2 REV N

X-ON Electronics

Largest Supplier of Electrical and Electronic Components

Click to view similar products for [Lighting Connectors](#) category:

Click to view products by [TE Connectivity](#) manufacturer:

Other Similar products are found below :

[21061-9](#) [293300-7](#) [2106117-2](#) [293660-5](#) [293700-2](#) [CNX_H03_NTP](#) [30-9767-BU](#) [3-21030-1](#) [ZCH-110-RGB-I](#) [503471-0290](#) [ES5P09K4F2](#)
[CNXH02NTP](#) [ZCH-110-RGB-J](#) [217-0716-200](#) [192992-0057](#) [1954563-1](#) [217-3030-000](#) [217-3032-000](#) [237-0734-003](#) [DTS24W25-20PN-LC](#)
[1-2213614-2](#) [2834049-3](#) [ES9S002SZZ](#) [2834049-2](#) [2-2834067-3](#) [1-293657-2](#) [2834049-1](#) [293699-2](#) [293701-3](#) [1-2213614-3](#) [2834036-1](#)
[2834037-1](#) [2213614-3](#) [2307526-2](#) [2-2106124-3](#) [2-2834068-3](#) [FLS2SC4001BP](#) [FLSC80352000](#) [FLSC80354000](#) [FLSC80353000](#) [FLSSB8002](#)
[FLSSB8001](#) [FLSC80351000](#) [FLSC80355000](#) [FLSSB4001](#) [FLSC80504000](#) [FLSC80502000](#) [FLSC80501000](#) [FLSSR4001](#) [FLSC80505000](#)