

22mm Thermoplastic Enclosures

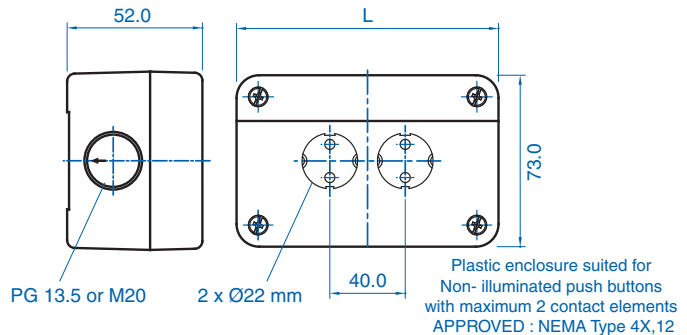
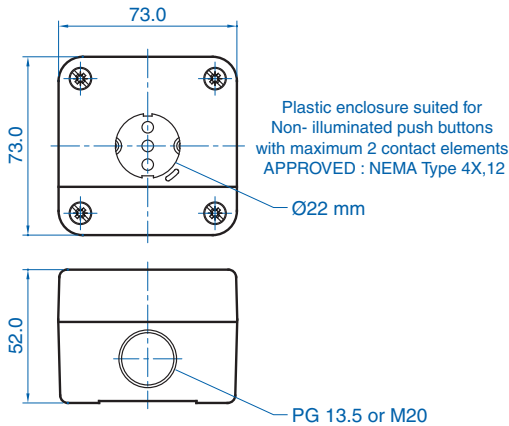


Certified for
NEMA Type 4X
12 environment.



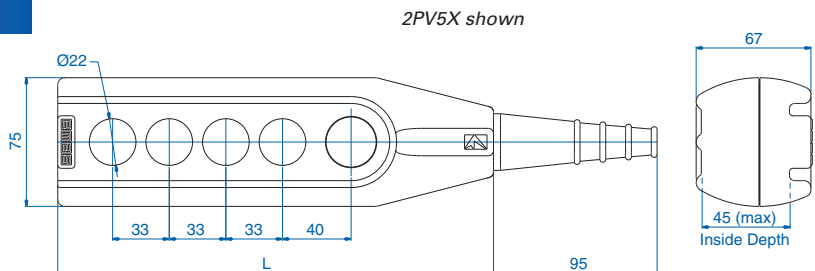
Base Mount Enclosures

Cat. No.	Operator Capacity	Material	Long Description	Dimensions L x W x H	Cable Entry Knockouts	Mounting Hole Size
4003A11	1	Thermo Plastic	White Top/Black Bottom	73 X 73 X 52	2 x M20	(4) - 4.4x6.4
4003C11	2	Thermo Plastic	White Top/Black Bottom	113 X 73 X 52	2 x M20	(4) - 4.4x6.4
4003E11	3	Thermo Plastic	White Top/Black Bottom	153 X 73X 52	2 x M20	(4) - 4.4x6.4
4003G11	4	Thermo Plastic	White Top/Black Bottom	193 X 73 X 52	2 x M20	(4) - 4.4x6.4
4003S11	5	Thermo Plastic	White Top/Black Bottom	233 X 73 X 52	2 x M20	(4) - 4.4x6.4
4003I11	6	Thermo Plastic	White Top/Black Bottom	273 X 73 X 52	2 x M20	(4) - 4.4x6.4
4004A10	1	Thermo Plastic	Yellow Top/Black Bottom	73 X 73 X 52	2 x M20	(4) - 4.4x6.4
4004C10	2	Thermo Plastic	Yellow Top/Black Bottom	113 X 73 X 52	2 x M20	(4) - 4.4x6.4
4004E10	3	Thermo Plastic	Yellow Top/Black Bottom	153 X 73X 52	2 x M20	(4) - 4.4x6.4
4004G10	4	Thermo Plastic	Yellow Top/Black Bottom	193 X 73 X 52	2 x M20	(4) - 4.4x6.4
4004S10	5	Thermo Plastic	Yellow Top/Black Bottom	233 X 73 X 52	2 x M20	(4) - 4.4x6.4
4004I10	6	Thermo Plastic	Yellow Top/Black Bottom	273 X 73 X 52	2 x M20	(4) - 4.4x6.4



Ambient Temperature: -25°C to 70°C (-13°F to 158°F)

Control Boxes



Cat. No.	Operator Capacity	Dimensions* LxWxH mm
2PV2X	2	188x75x67
2PV3X	3	188x75x67
2PV4X	4	221x75x67
2PV5X	5	254x75x67
2PV6X	6	287x75x67
2PV7X	7	320x75x67
2PV8X	8	353x75x67
2PV9X	9	386x75x67

Contact Elements and Seal

Cat. No.	Description
S1	Normally open
S2	Normally closed
3PRG1*	Rubber gasket*

* To achieve IP65 rating for control boxes, this rubber gasket must be used.

X-ON Electronics

Largest Supplier of Electrical and Electronic Components

Click to view similar products for [Enclosures, Boxes, & Cases](#) category:

Click to view products by [Altech](#) manufacturer:

Other Similar products are found below :

[CR-425 PAINTED](#) [585-R-WH-PK](#) [M-10-PLATED](#) [60221-01](#) [60566-01-000](#) [HPL-9VB BATT DOOR](#) [M-16-LID-PLATED](#) [M18-PLTD](#) [M-21-LID-PLATED](#) [M-21-PLATED](#) [M-23-PLATED](#) [CU-281-MB](#) [6711GSKT](#) [71884-29-028](#) [LH45-100 Black](#) [7200B](#) [72868-510-000](#) [CNS-0000 Black](#) [72883-510-000](#) [CNS-0101 Black](#) [72906-510-000](#) [CNS-0407 Black](#) [73091-510-000](#) [CNM-0000-BLACK Kit](#) [73092-510-000](#) [CNM-0101 Black](#) [73108-510-000](#) [CNL-0303 Black](#) [73395-510-039](#) [CNS-0006 Bone](#) [74257-510-000](#) [CNL-0004](#) [MDC-1183-PLAIN-ALUM](#) [MDC-1183-PTD](#) [MDC-13104-PLAIN-ALUM](#) [MDC-211 - PAINTED IVORY/BEIGE](#) [MDC-321-PTD](#) [MDC-432-PLAIN-ALUM](#) [MDC-973-PTD](#) [76](#) [77153-01-028](#) [FLX6030](#) [83535-01-508](#) [PS-11296-G](#) [PS-11298-B](#) [116-508](#) [120-407](#) [120-412](#) [120-909](#) [120-455](#) [R272-100-000](#) [120-910](#) [R501-001-010](#) [R508-080-000](#) [R508-160-000](#) [R530-120-000](#) [R530-122-000](#) [R530-200-000](#) [R531-160-000](#) [R531-200-000](#) [R582-080-100](#)