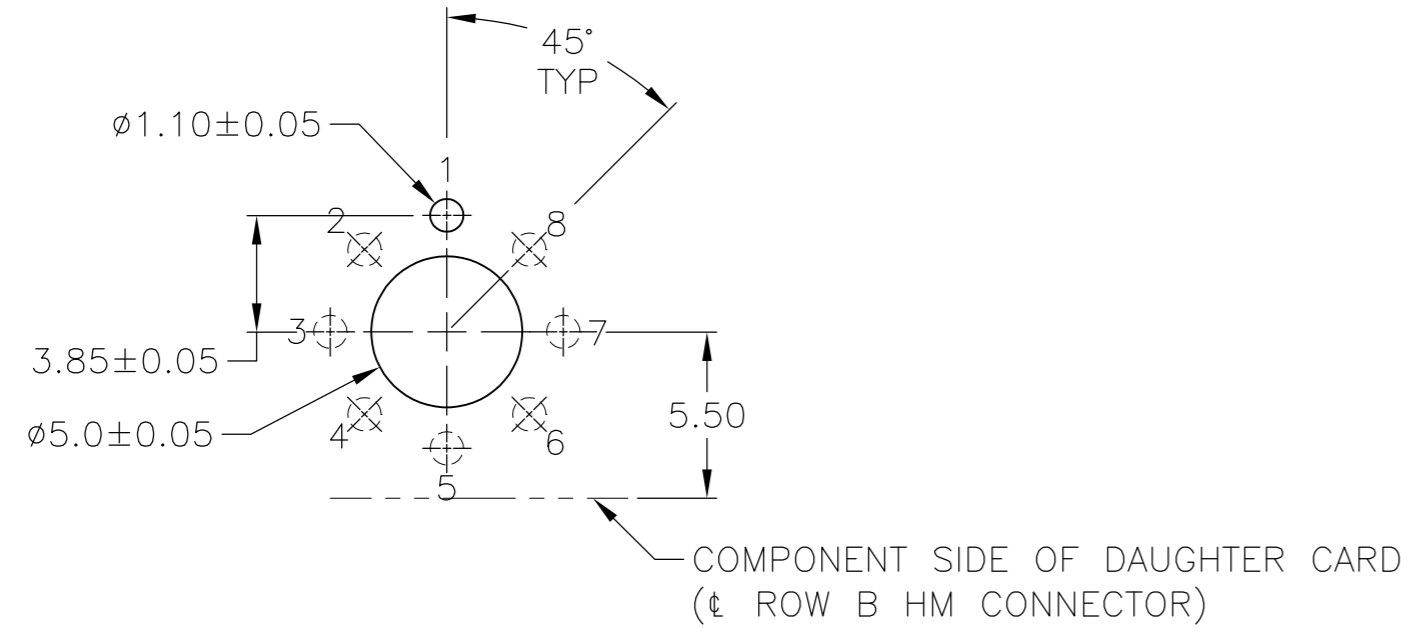
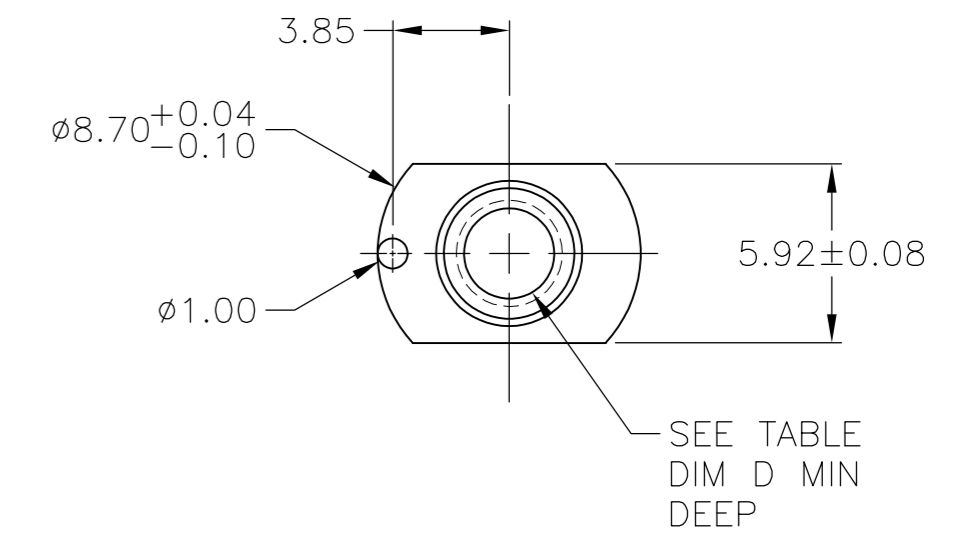
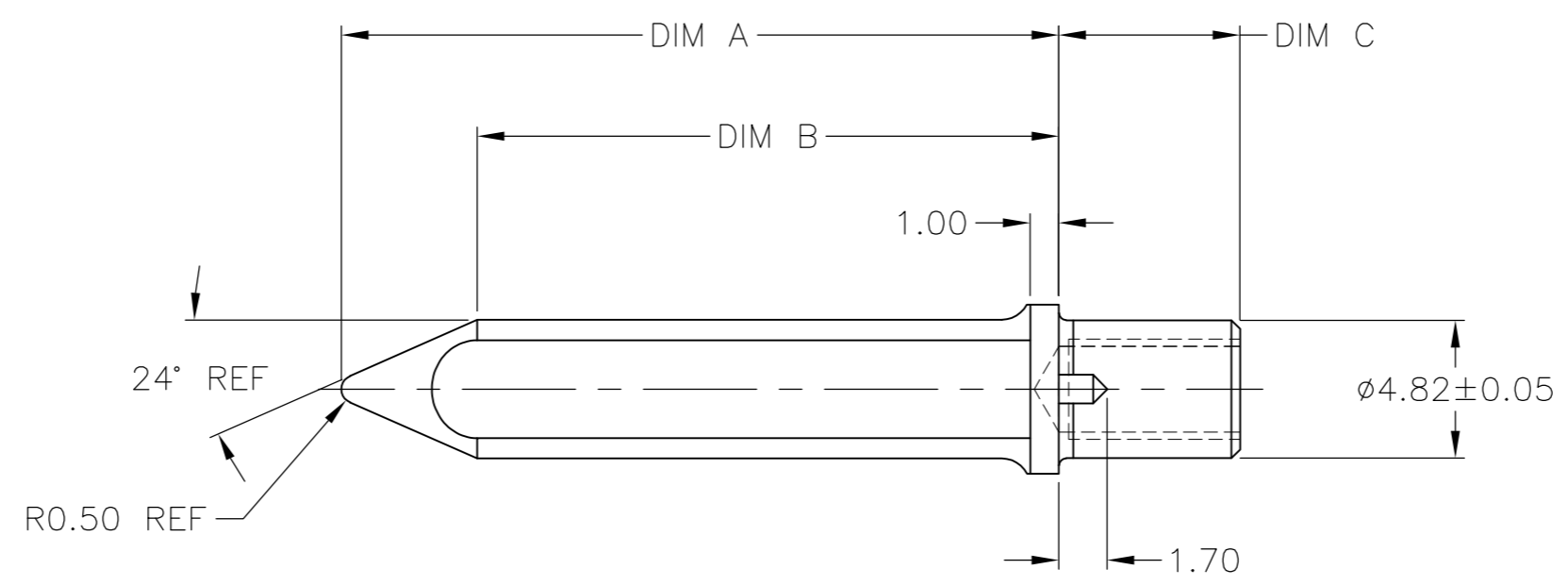
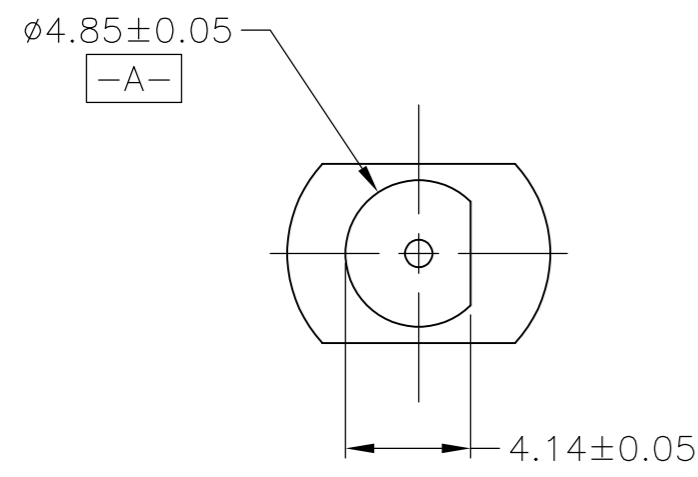


THIS DRAWING IS UNPUBLISHED. RELEASED FOR PUBLICATION
 © COPYRIGHT - By - ALL RIGHTS RESERVED.

LOC		DIST		REVISIONS			
P	LTR	DESCRIPTION		DATE	DWN	APVD	
AD	00	G2		REVISED PER ECR-14-016256	31OCT2014	ML	SZ

- 1 MATERIAL: ZINC ALLOY DIE CASTING.
- 2 FINISH: CHROMATE CONVERSION COATING. (ROHS COMPATIBLE).
- 3 FINISH: NICKEL PLATING
- 4 TOLERANCE ON DIMENSION "C" IS ±0.05MM



6-32UNC-2B	4.0	3.5	20.39	25.16	2	1	1-5223985-0
6-32UNC-2B	2.9	2.4	20.39	25.16	2	4	5223985-9
6-32UNC-2B	4.65	5.0	20.39	25.16	2	1	5223985-8
4-40UNC-2B	2.6	1.7	20.39	25.16	2	1	5223985-7
6-32UNC-2B	4.65	5.0	20.39	25.16	2	3	5223985-6
6-32UNC-2B	2.2	1.7	20.39	25.16	2	1	5223985-5
6-32UNC-2B	3.45	3.8	20.39	25.16	2	1	5223985-4
6-32UNC-2B	3.0	6.35	24.23	29.00	2	1	5223985-3
6-32UNC-2B	6.0	6.35	20.39	25.13	2	1	5223985-1
THREAD TYPE	DIM D	DIM C	DIM B	DIM A	FINISH	MATERIAL	PART NUMBER

RECOMMENDED P.C. BOARD LAYOUT

(POSITION SHOWN USED WITH P/N 223986-1)

THIS DRAWING IS A CONTROLLED DOCUMENT.

DIMENSIONS: mm	TOLERANCES UNLESS OTHERWISE SPECIFIED:	DWN J. POLIGNONE 05APR05	 TE Connectivity
	0 PLC ± - 1 PLC ± - 2 PLC ± 0.13 3 PLC ± - 4 PLC ± - ANGLES ± 0°30'	CHK R.PATTERSON 05APR05	
MATERIAL: SEE TABLE	FINISH: SEE TABLE	APVD R.PATTERSON 05APR05	NAME: R.PATTERSON
		PRODUCT SPEC: -	SIZE: A2
		APPLICATION SPEC: -	CAGE CODE: 00779
		WEIGHT: -	DRAWING NO: C=5223985
		CUSTOMER DRAWING	RESTRICTED TO: -
		SCALE: 1:1	SHEET: 1 of 1
			REV: G2

X-ON Electronics

Largest Supplier of Electrical and Electronic Components

Click to view similar products for [Power to the Board](#) category:

Click to view products by [TE Connectivity](#) manufacturer:

Other Similar products are found below :

[10131318-08512GRLF](#) [6450171-4](#) [6450552-7](#) [6600323-8](#) [6643429-1](#) [6646040-2](#) [6651939-1](#) [6766604-1](#) [120959-1](#) [1393557-2](#) [1393532-2](#)
[1393532-3](#) [1393532-4](#) [1393557-1](#) [1600812-5](#) [1-6450861-2](#) [1645595-1](#) [1743490-1](#) [1744132-7](#) [1761122-1](#) [1766169-1](#) [1766250-1](#) [18362](#)
[1892109-1](#) [1-967627-6](#) [2226808-1](#) [2-6450860-5](#) [2-6450860-6](#) [2-6450870-0](#) [93003-0502](#) [953552-1](#) [1-6450161-4](#) [1-6450850-6](#) [1645526-2](#) [1-](#)
[6600130-0](#) [1743419-1](#) [1766150-1](#) [2005243-2](#) [211110-1](#) [2-6600130-2](#) [TE34-12-16P-F0](#) [5-6450830-6](#) [5646956-4](#) [36662-0005](#) [40585-3000](#) [4-](#)
[6450830-9](#) [4-6600333-3](#) [51142-0214](#) [10134048-911LF](#) [10130248-005LF](#)