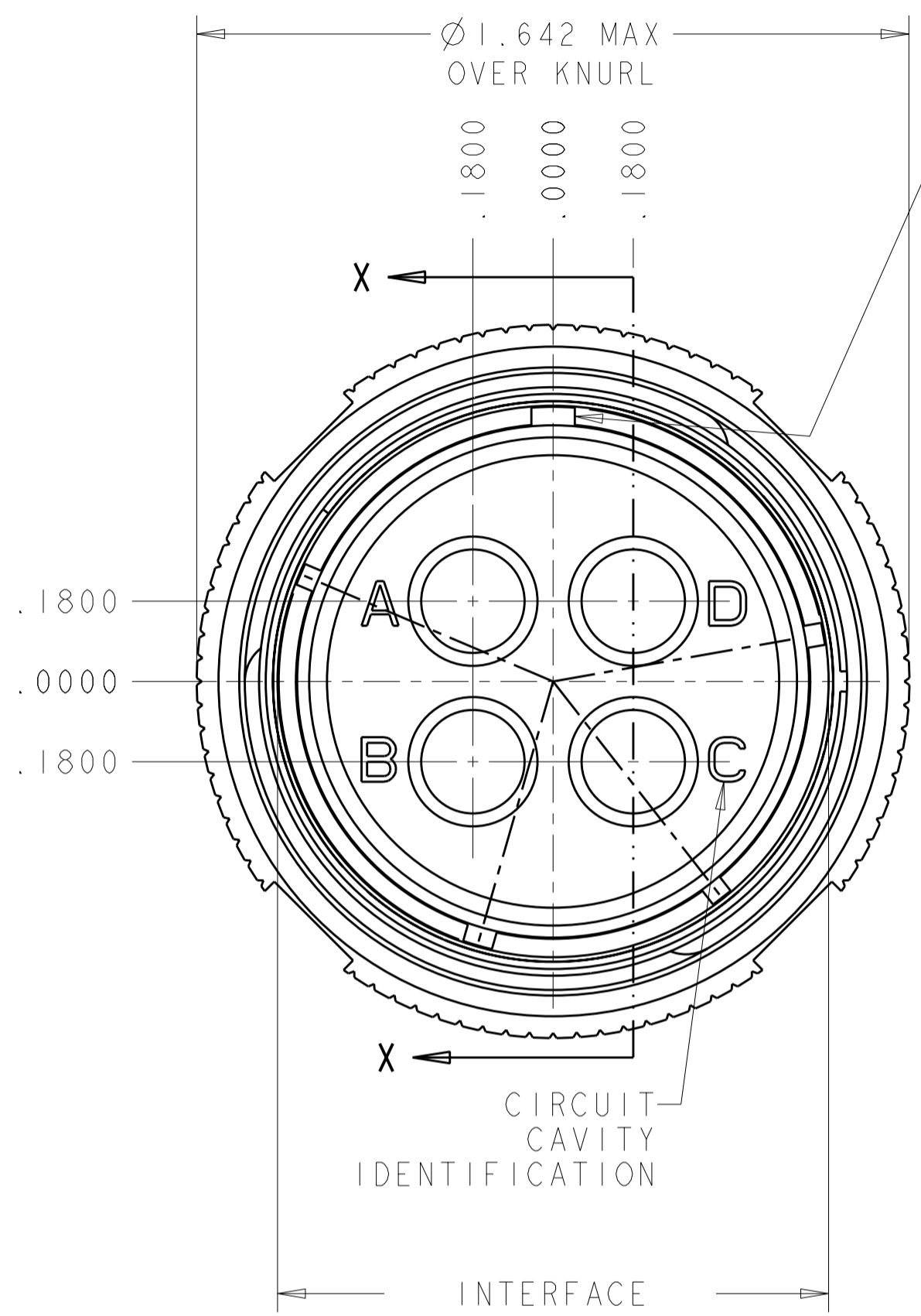
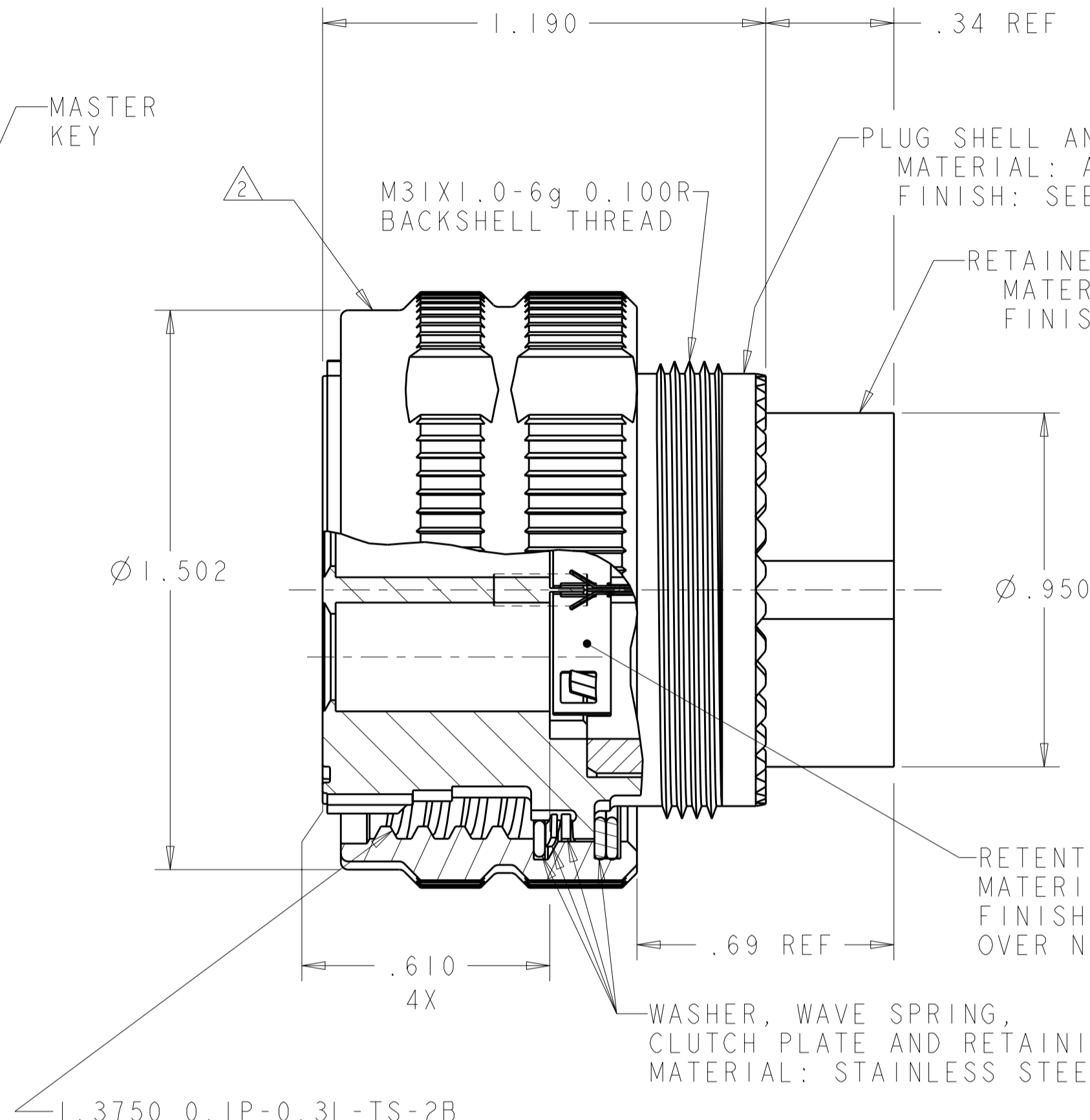


THIS DRAWING IS UNPUBLISHED. RELEASED FOR PUBLICATION 20
 © COPYRIGHT 20 BY TYCO ELECTRONICS CORPORATION. ALL RIGHTS RESERVED.

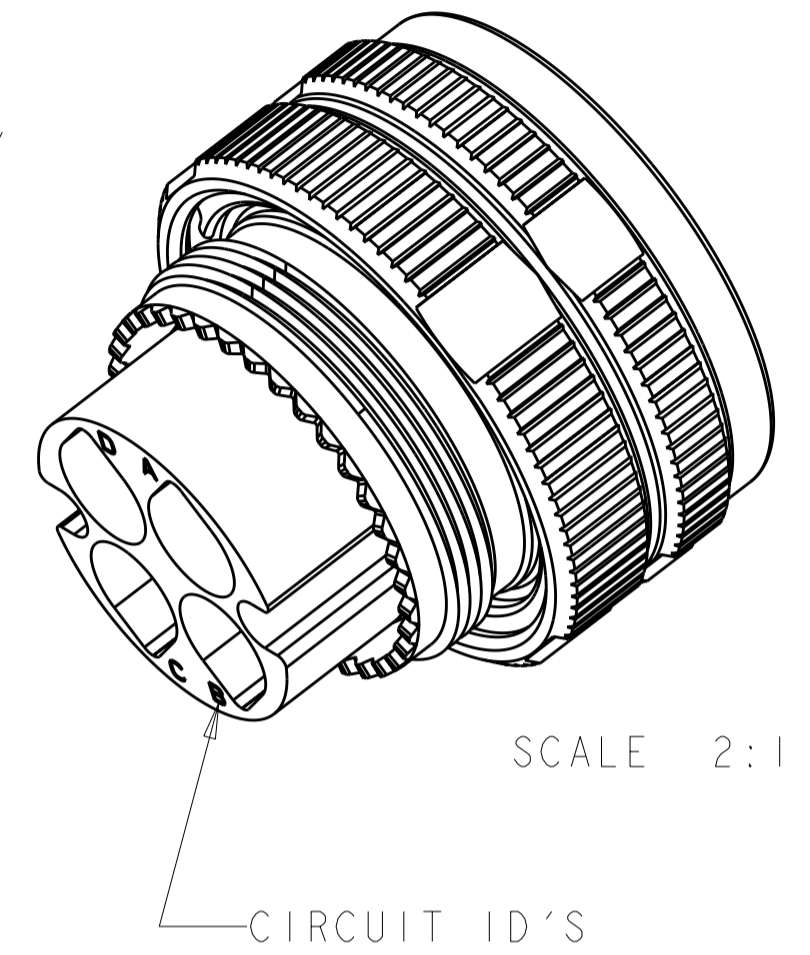
REVISONS				DATE	DWN	APVD
P	LTR	DESCRIPTION				
B		REV PER ECO 10-024687	12-3-10	CT	DM	



INTERFACE DIMENSIONS AND KEYS ARRANGEMENT "N" PER MIL-DTL-38999K



SECTION X-X



SCALE 2:1

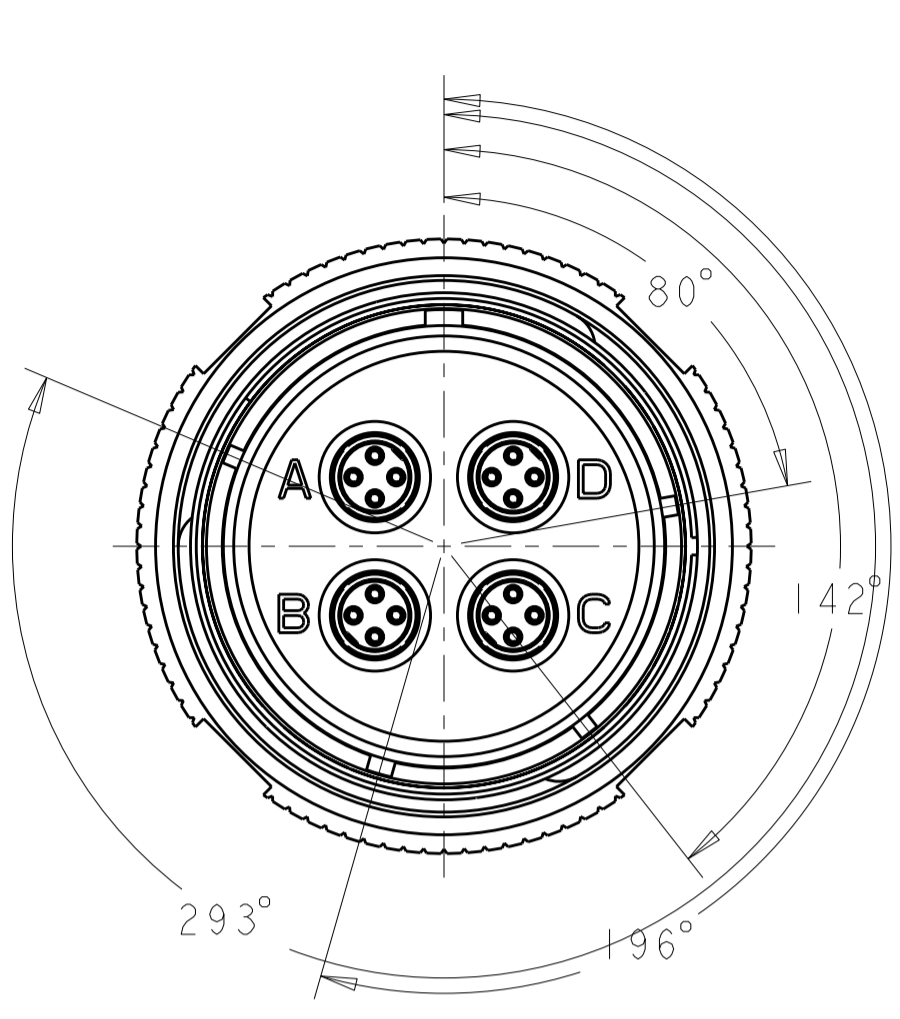
- THIS CONNECTOR ACCEPTS TYCO ELECTRONICS QUADRAX SOCKET ASSEMBLY; PART NUMBER 1445693-3 OR 1877040-2.
- PART IS MARKED WITH TYCO ELECTRONICS PART NO. (SEE TABLE), TYCO ELECTRONICS LOGO OR TE, TYCO ELECTRONICS CAGE CODE, AND DATE CODE.
- OPERATING TEMPERATURE RANGE: -65°C TO +125°C (-85°F TO +257°F).
- THE CONNECTOR QUALIFICATION WAS COMPLETED PER TYCO ELECTRONICS 108-2199. THE QUADRAX CONTACTS ARE QUALIFIED PER TYCO ELECTRONICS 108-2131. THE REFERENCE TEST REPORTS ARE TYCO ELECTRONICS 501-660 FOR THE CONNECTOR AND 501-574 FOR THE CONTACTS WHICH ARE SAME AS ARINC 600-13, DRAFT 2 OF SUPPLIMENT 14 (AIR TRANSPORT AVIONICS EQUIPMENT INTERFACES).

OLIVE DRAB	--	N	1-1954354-3
NICKEL	1877040-2	B	1-1954354-2
NICKEL	1877040-2	A	1-1954354-1
NICKEL	1877040-2	N	1-1954354-0
OLIVE DRAB	1445693-3	B	1954354-9
OLIVE DRAB	1445693-3	A	1954354-8
OLIVE DRAB	1445693-3	N	1954354-7
NICKEL	-	B	1954354-6
NICKEL	-	A	1954354-5
NICKEL	-	N	1954354-4
NICKEL	1445693-3	B	1954354-3
NICKEL	1445693-3	A	1954354-2
NICKEL	1445693-3	N	1954354-1
SHELL FINISH	QUADRAX CONTACT QTY=4	SHELL KEYING ARRANGEMENT	PART NUMBER

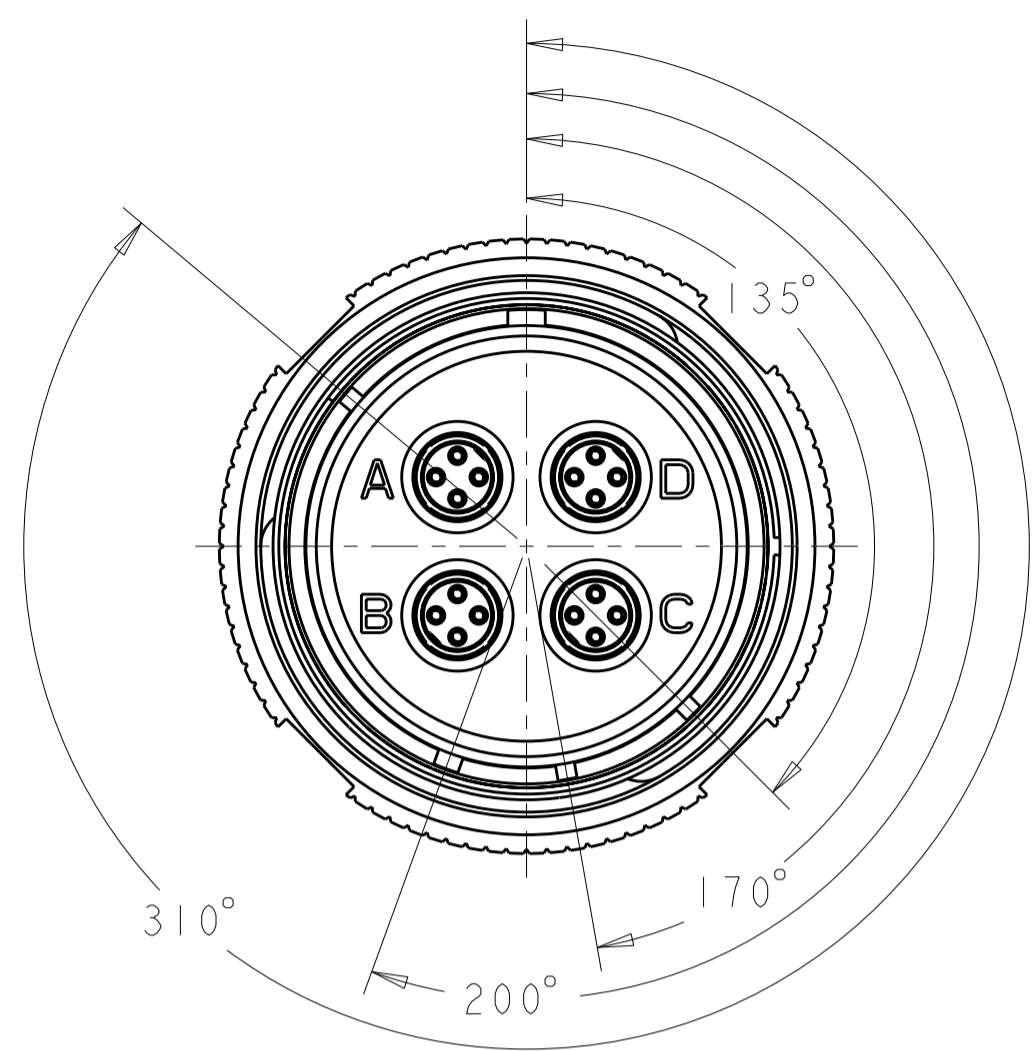
THIS DRAWING IS A CONTROLLED DOCUMENT FOR TYCO ELECTRONICS CORPORATION. IT IS SUBJECT TO CHANGE AND THE CONTROLLING ENGINEERING ORGANIZATION SHOULD BE CONTACTED FOR THE LATEST REVISION.		DWN R FLAIG 31AUG2006 CHK L OH 31AUG2006 APVD L OH 31AUG2006	Tyco Electronics Harrisburg, PA 17105-3608
DIMENSIONS: INCHES 	TOLERANCES UNLESS OTHERWISE SPECIFIED: 0 PLC ± 1 PLC ±.01 2 PLC ±.005 3 PLC ±.0020 4 PLC ±.0020 ANGLES ±1° FINISH	PRODUCT SPEC APPLICATION SPEC WEIGHT	NAME ASSY, PLUG, SIZE 21, 404, M38999 STYLE SIZE A2 CAGE CODE 00779 C=1954354 DRAWING NO 1954354 RESTRICTED TO
MATERIAL		CUSTOMER DRAWING	SCALE 3:1 SHEET 1 OF 2 REV B

THIS DRAWING IS UNPUBLISHED. RELEASED FOR PUBLICATION 20
 © COPYRIGHT 20 BY TYCO ELECTRONICS CORPORATION. ALL RIGHTS RESERVED.

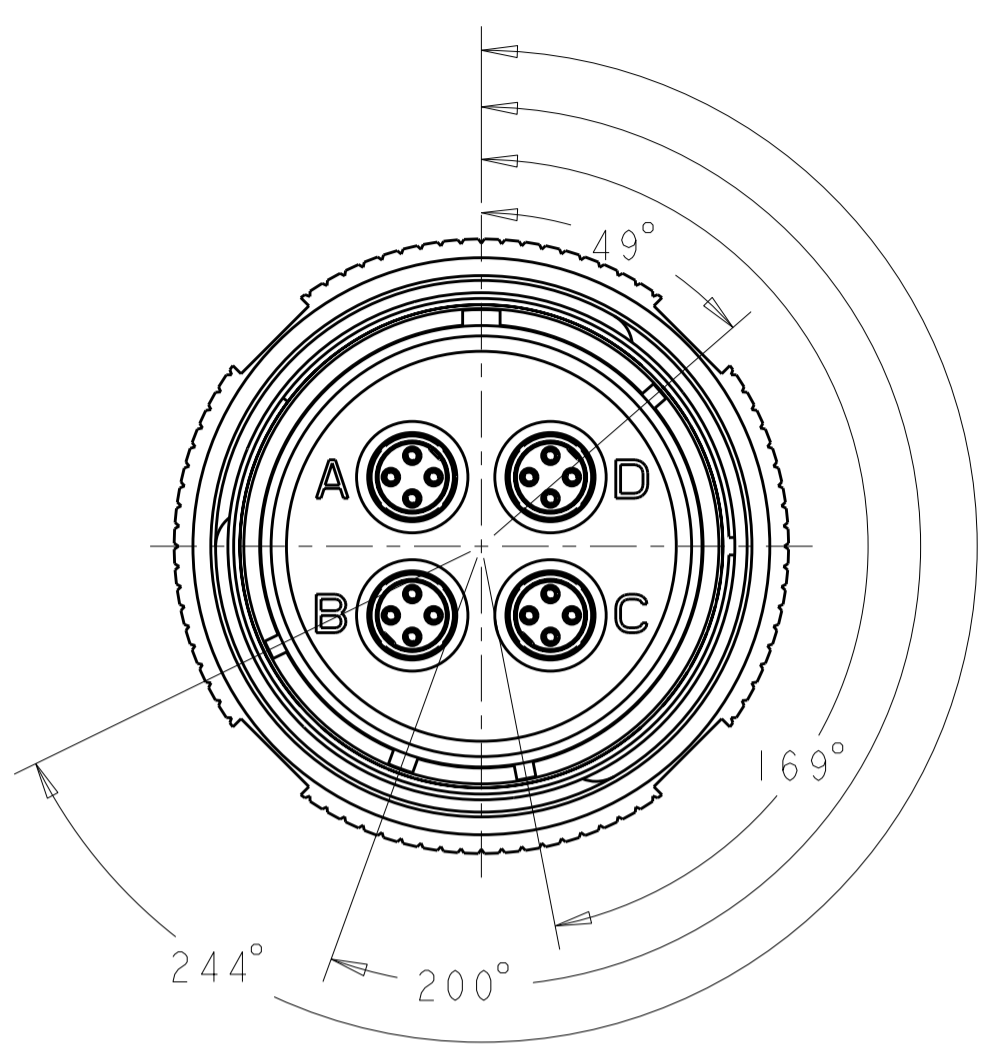
LOC		DIST		REVISIONS			
P	LTR	DESCRIPTION	DATE	DWN	APVD		
		SEE SHEET 1					



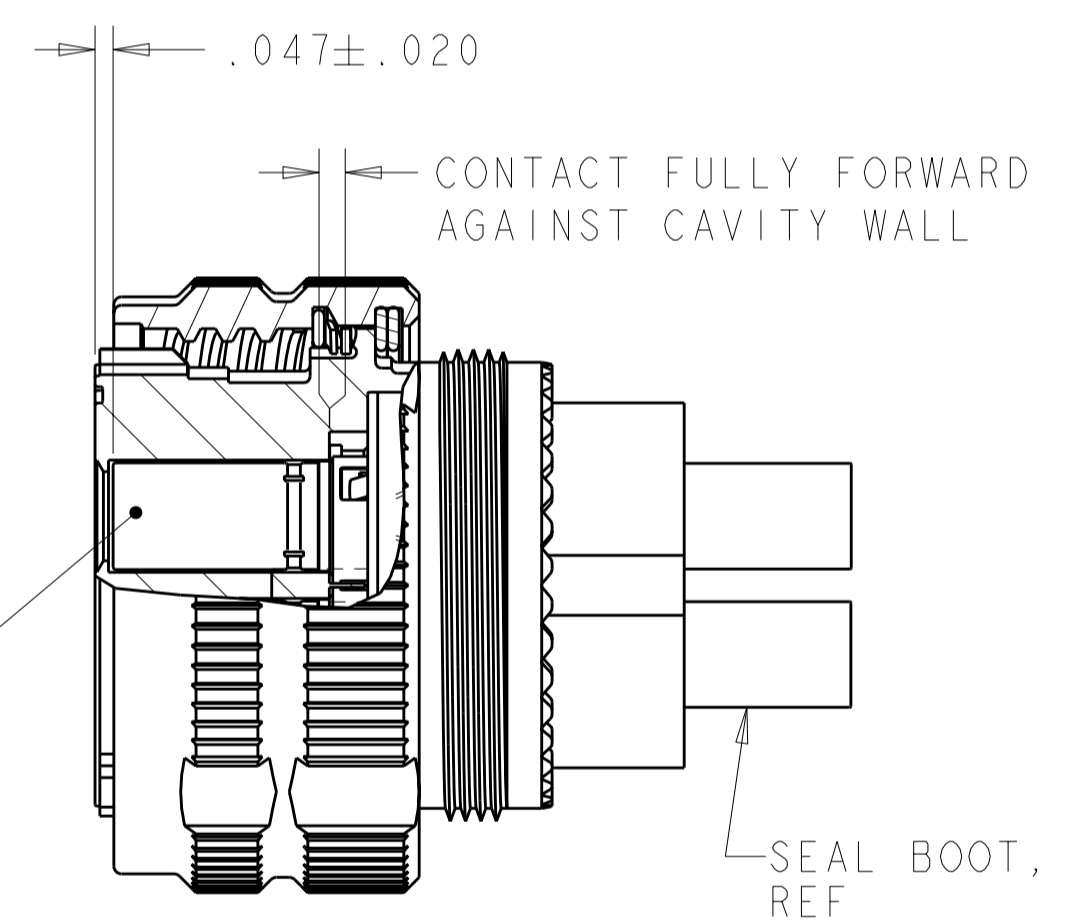
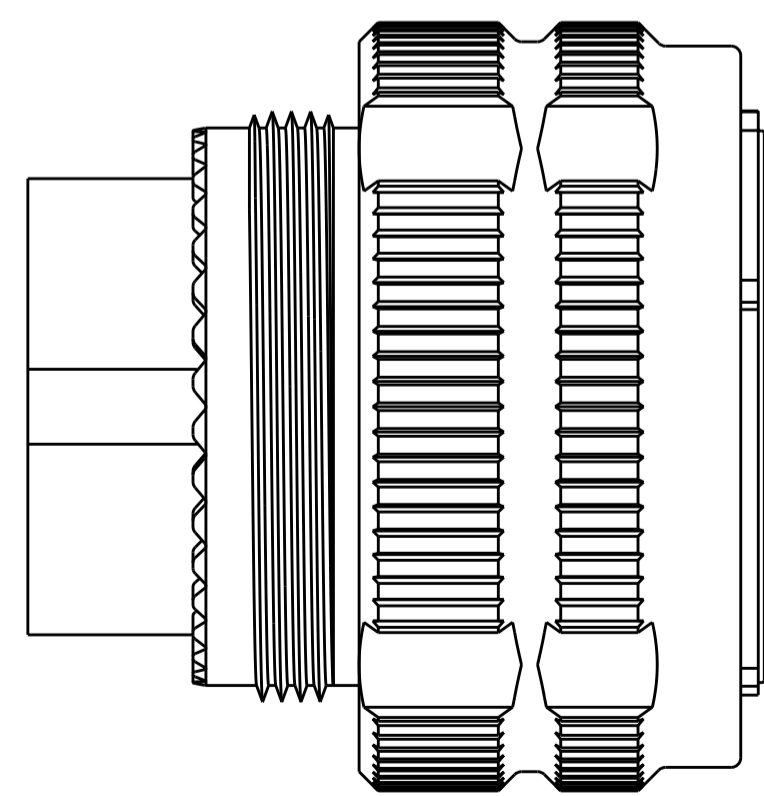
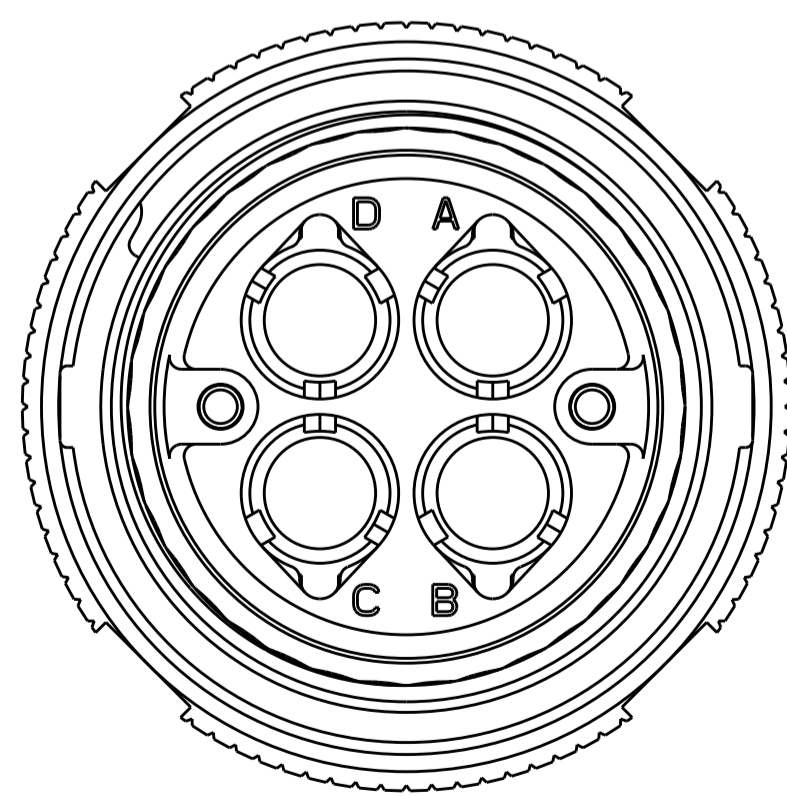
1811599-1
"N" KEY POLARIZATION



1811599-2
"A" KEY POLARIZATION



1811599-3
"B" KEY POLARIZATION



QUADRAX SOCKET ASSY, SHOWN FOR REF ONLY
 CONTACT PROVIDED UN-ASSEMBLED ON
 SELECT PART NUMBERS (SEE TABLE ON SHEET #1)

SECTION X-X
 SCALE 2:1

<small>THIS DRAWING IS A CONTROLLED DOCUMENT FOR TYCO ELECTRONICS CORPORATION IT IS SUBJECT TO CHANGE AND THE CONTROLLING ENGINEERING ORGANIZATION SHOULD BE CONTACTED FOR THE LATEST REVISION.</small>		DWN R FLAIG 02AUG2005 CHK L OH 02AUG2005 APVD L OH 02AUG2005	Tyco Electronics Tyco Electronics Harrisburg, PA 17105-3608
DIMENSIONS: INCHES 	TOLERANCES UNLESS OTHERWISE SPECIFIED: 0 PLC ±. 1 PLC ±.01 2 PLC ±.01 3 PLC ±.005 4 PLC ±.0020 ANGLES ±1° FINISH	PRODUCT SPEC APPLICATION SPEC WEIGHT CUSTOMER DRAWING	NAME ASSY, PLUG, SIZE 21, 4Q4, M38999 STYLE SIZE CAGE CODE DRAWING NO RESTRICTED TO A2 00779 C-1954354 -
		SCALE 3:1	SHEET 2 OF 2 REV B

X-ON Electronics

Largest Supplier of Electrical and Electronic Components

Click to view similar products for [Standard Circular Connector](#) category:

Click to view products by [TE Connectivity](#) manufacturer:

Other Similar products are found below :

[C015](#) [10F006](#) [001](#) [1](#) [5M2530B10P](#) [600259N006](#) [600273N007](#) [600432N009](#) [6280-2PG-519](#) [6280-3PG-311](#) [6280-3SG-311](#) [6280-7SG-3DC](#)
[6280-7SG-522](#) [6282-5PG-311](#) [6282-6PG-519](#) [6282-8SG-311](#) [6283-11](#) [6283-15](#) [6290](#) [6382-2PG-311](#) [6382-2PG-3DC](#) [6382-2SG-321](#) [6382-2SG-3DC](#) [6382-4SG-516](#) [67-03E20-37P](#) [681-PMG](#) [CXS3102A14S2P](#) [CXS3102A181S](#) [CXS3106A14S6S](#) [MB12P-1](#) [MB12R-6](#) [7251-2PG-300](#) [7251-2SG-300](#) [7251-4PG-300](#) [7251-4SG-300](#) [7251-5PG-300](#) [7251-5SG-300](#) [7251-6SG-300](#) [7251-7PG-300](#) [7251-8PG-300](#) [7271-6SG-300](#) [7282-3PG-300-CH3](#) [73000005663](#) [75-190216-08S](#) [75-190218-10P](#) [75-474118-10P](#) [75-474618-01S](#) [75-474620-07P](#) [799539-000](#) [MI8-SE](#) [80-190222-18P](#) [805-005-07NF11-19PC](#) [805-005-07NF15-7PA](#)