

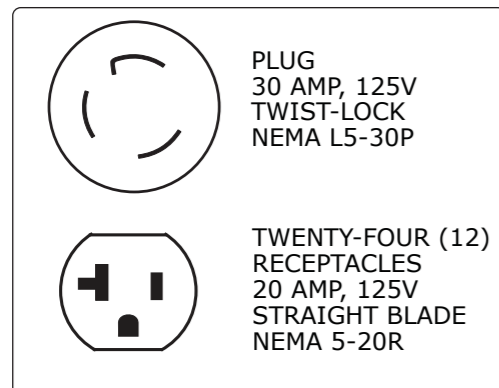
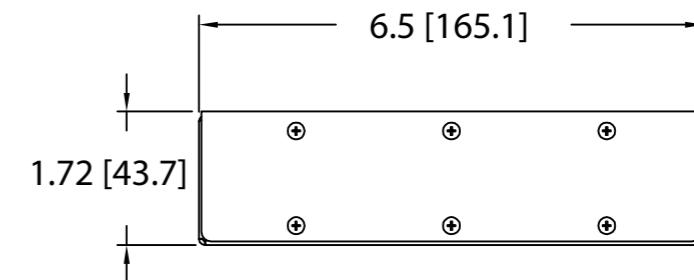
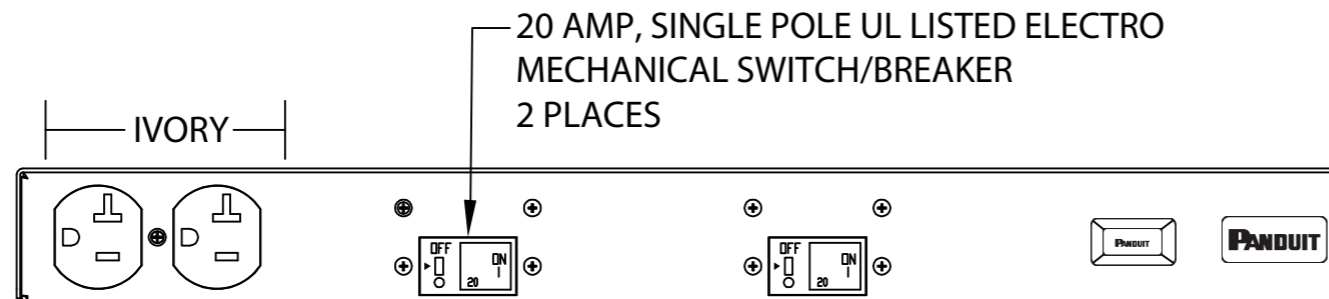
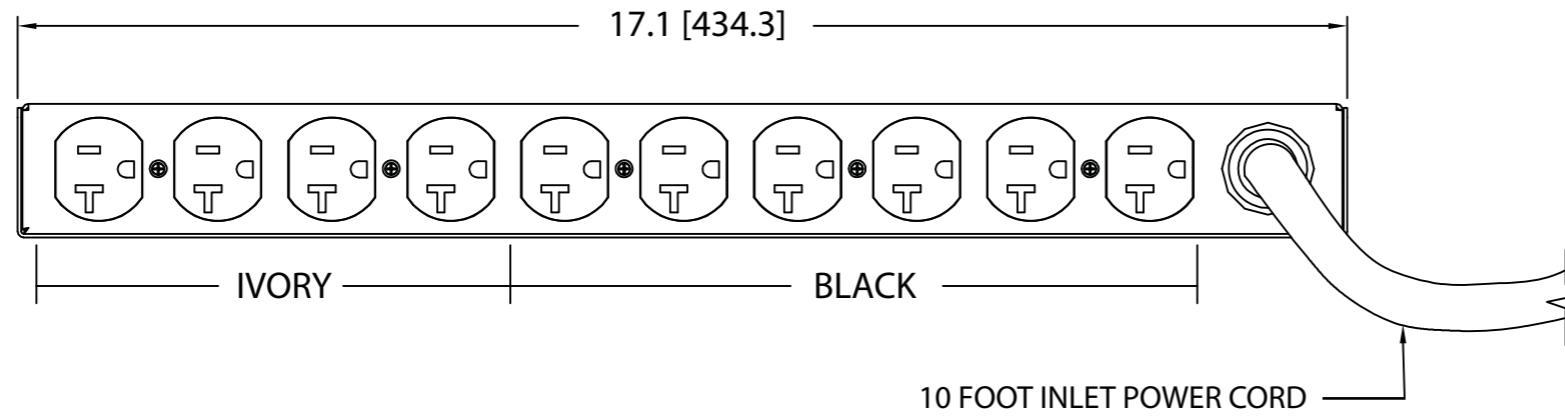
THIS COPY IS PROVIDED ON A RESTRICTED BASIS AND IS NOT TO BE USED IN ANY WAY DETRIMENTAL TO THE INTERESTS OF PANDUIT CORP.

PANDUIT P/N	WEIGHT
HB0A1M2BN12E1	8 lb (3.6 kg)

NOTES:

- IDENTIFICATION: 1RU HORIZONTAL, (12) 5-20R 120V / 30A / SINGLE-PHASE POU

PART NO.	COLOR
HB0A1M2BN12E1	BLACK
- ACCESSORY COMPONENTS:
 (4) 10-32 x 1/2" MOUNTING SCREWS
 (4) 12-24 x 1/2" MOUNTING SCREWS
 (2) MOUNTING BRACKETS
- DIMENSIONS IN PARENTHESES ARE METRIC (mm).
- UL® & c-UL® LISTED 60950 AND NOM COMPLIANT.
- RoHS COMPLIANT.
- VISIT OUR ON-LINE CATALOG AT WWW.PANDUIT.COM FOR A CURRENT LIST OF PRODUCTS APPLICABLE FOR USE WITH THIS PART.
- MAXIMUM AVAILABLE INPUT POWER=2.9KW
- INSTALLATION SHALL COMPLY WITH ALL APPLICABLE NATIONAL, STATE, AND LOCAL CODES.



REV	DATE	BY	CHK	DESCRIPTION	ECN	R	CUST	SUP	OTH
02A	9-8-14	MRWA		F. ADDED PLUG HOLE CAP AND ADJUSTED PLACEMENT OF LABEL	09V098DB				
01B	1-8-13	MRWA	KRKE	C. ADDED OUTLET COLOR D. UPDATED BREAKER E. UPDATED NOTE 2	09V098DB				
01A	9-5-12	PIP	MRWA	A. UPDATED NOTE #4 & 7. B. ADDED NOTE #8.	09V098DB				
00A	2-24-11	MAV	KRKE	RELEASED TO PRODUCTION	09V098DB				

MODEL FILENAME	09V098DB/02.PRT	
CAD FILENAME/LAYERS	09V098DB_DC/02A.PRT	
PANDUIT CORP TINLEY PARK, ILLINOIS		
1RU HORIZONTAL, (12) 5-20R POWER OUTLET UNIT CUSTOMER DRAWING		
UNLESS OTHERWISE SPECIFIED, DIMENSIONAL TOLERANCES ARE: INCHES X.X +/- 0.03 X.XX +/- 0.015 X.XXX +/- 0.005 [METRIC - MILLIMETER] X.X +/- 0.8 X.XX +/- 0.4 X.XX +/- 0.13 ANGLE +/- 1°		
UNLESS OTHERWISE SPECIFIED, ALL DIMENSIONS ARE GIVEN IN INCHES, THIRD ANGLE PROJECTION	SCALE	NONE
DRAWN BY	DATE	MAT'L:
MAV	2-24-11	
DATE	2-24-11	
CHK'D	KRKE	
DRAWING NO.	09V098DB	DWG SIZE
		B

X-ON Electronics

Largest Supplier of Electrical and Electronic Components

Click to view similar products for [Power Outlet Strips](#) category:

Click to view products by [Panduit](#) manufacturer:

Other Similar products are found below :

[G20IG606](#) [1301430288](#) [1301530208](#) [1302100069](#) [1301430321](#) [1301530054](#) [1447B163](#) [1585T16A1RA](#) [UL602CB-6](#) [UL7408-6](#) [ULHC4-15](#)
[V20IG606](#) [UL2063BD](#) [TSB](#) [1301530203](#) [4748.03](#) [4309](#) [UL7208-15](#) [3083](#) [3050F](#) [3090](#) [1301530132](#) [1301530117](#) [1301530164](#) [1301530050](#)
[1301530141](#) [1301430252](#) [1301530179](#) [1301530065](#) [1301350158](#) [1301530052](#) [1301530068](#) [1301530120](#) [HB0B1L4BT08W1](#)
[VB0D2B2BM30P1](#) [HA0A1D0CA10E1](#) [HA0A1M2CM10E1](#) [HA1A1D0CA10E1](#) [VB0B1L2BN24H1](#) [PN1A1C0BA10E1](#) [HA0B1E0CA1081](#)
[HA0D2U0CA1081](#) [HA0D2A0CA1081](#) [HA1D2U0CA1081](#) [HA1D2A0CA1081](#) [HB1B2J0AA10M1](#) [LZ1D2A0FA0AJ1](#) [LZ1D2P0FA0AL1](#)
[VB0B1L4CN48M1](#) [MA002](#)