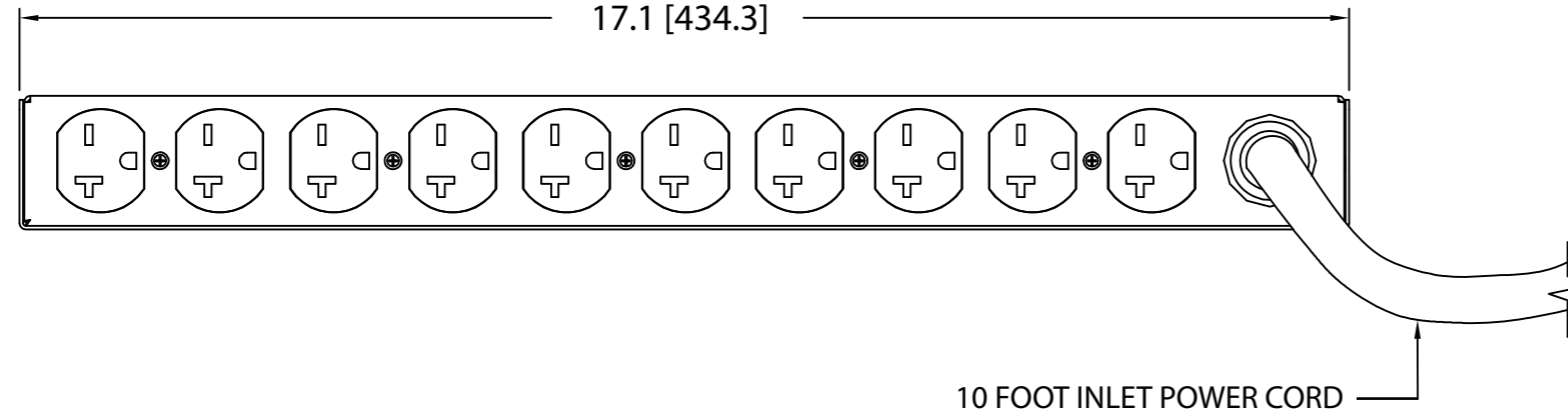


THIS COPY IS PROVIDED ON A RESTRICTED BASIS AND IS NOT TO BE USED IN ANY WAY DETRIMENTAL TO THE INTERESTS OF PANDUIT CORP.

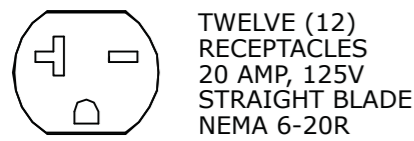
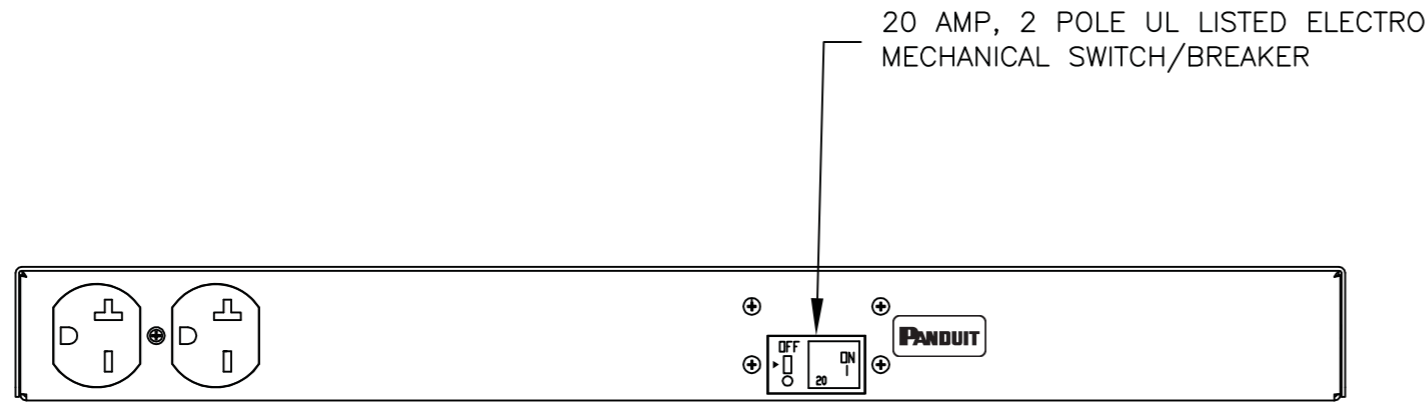
PANDUIT P/N	WEIGHT
HB0B1E1BN12H1	7 lb (3.2 kg)



NOTES:

- IDENTIFICATION: 1RU HORIZONTAL, (12) 6-20R
208V / 20A / SINGLE-PHASE POU
- ACCESSORY COMPONENTS:
(4) 10-32 x 1/2" MOUNTING SCREWS
(4) 12-24 x 1/2" MOUNTING SCREWS
- DIMENSIONS IN PARENTHESES ARE METRIC (mm).
- UL® & c-UL® LISTED 60950 AND NOM COMPLIANT.
- RoHS COMPLIANT.
- VISIT OUR ON-LINE CATALOG AT WWW.PANDUIT.COM FOR A CURRENT LIST OF PRODUCTS APPLICABLE FOR USE WITH THIS PART.
- MAXIMUM AVAILABLE INPUT POWER = 3.3 KW
- INSTALLATION SHALL COMPLY WITH ALL APPLICABLE NATIONAL, STATE, AND LOCAL CODES.

PART NO.	COLOR
HB0B1E1BN12H1	BLACK



REV	DATE	BY	CHK	DESCRIPTION	ECN	R	CUST	SUP	OTH
02A	7-14-14	MRWA		D. REMOVED POWER ON LED	09V098BW				
01A	10-2-12	PIP	MRWA	A. UPDATED NOTE #4 & 7. B. ADDED NOTE #8.	09V098BW				
00A	2-24-11	MAV	KRKE	RELEASED TO PRODUCTION	09V098BW				

MODEL FILENAME	09V098BW/02.PRT	
CAD FILENAME/LAYERS	09V098BW_DC/02A.PRT	
PANDUIT CORP TINLEY PARK, ILLINOIS		
1RU HORIZONTAL, (12) 6-20R POWER OUTLET UNIT CUSTOMER DRAWING		
UNLESS OTHERWISE SPECIFIED, DIMENSIONAL TOLERANCES ARE:		UNLESS OTHERWISE SPECIFIED, ALL DIMENSIONS ARE GIVEN IN INCHES, THIRD ANGLE PROJECTION
INCHES	± 0.03	[METRIC - MILLIMETER] ANGLE
X.X	± 0.015	X.X ± 0.8
X.XX	± 0.005	X.XX ± 0.4
X.XXX	± 0.001	X.XXX ± 0.13
DRAWN BY	MAV	MAT'L:
DATE	2-24-11	SCALE
CHK'D	KRKE	NONE
		DRAWING NO.
		09V098BW
		DWG SIZE
		B

X-ON Electronics

Largest Supplier of Electrical and Electronic Components

Click to view similar products for [Power Outlet Strips](#) category:

Click to view products by [Panduit](#) manufacturer:

Other Similar products are found below :

[G20IG606](#) [1301430288](#) [1301530208](#) [1302100069](#) [1301430321](#) [1301530054](#) [1447B163](#) [1585T16A1RA](#) [UL602CB-6](#) [UL7408-6](#) [ULHC4-15](#)
[V20IG606](#) [UL2063BD](#) [TSB](#) [1301530203](#) [4748.03](#) [4309](#) [UL7208-15](#) [3083](#) [3050F](#) [3090](#) [1301530132](#) [1301530117](#) [1301530164](#) [1301530050](#)
[1301530141](#) [1301430252](#) [1301530179](#) [1301530065](#) [1301350158](#) [1301530052](#) [1301530068](#) [1301530120](#) [HB0B1L4BT08W1](#)
[VB0D2B2BM30P1](#) [HA0A1D0CA10E1](#) [HA0A1M2CM10E1](#) [HA1A1D0CA10E1](#) [VB0B1L2BN24H1](#) [PN1A1C0BA10E1](#) [HA0B1E0CA1081](#)
[HA0D2U0CA1081](#) [HA0D2A0CA1081](#) [HA1D2U0CA1081](#) [HA1D2A0CA1081](#) [HB1B2J0AA10M1](#) [LZ1D2A0FA0AJ1](#) [LZ1D2P0FA0AL1](#)
[VB0B1L4CN48M1](#) [MA002](#)