

THIS COPY IS PROVIDED ON A RESTRICTED BASIS AND IS NOT TO BE USED IN ANY WAY DETRIMENTAL TO THE INTERESTS OF PANDUIT CORP.

NOTES:

1. IDENTIFICATION: 1RU HORIZONTAL, MIXED (4) C-13 & (4) C-19, METERED 208V / 20A / SINGLE-PHASE POU

PART NO.	COLOR
HB1B1E0BA08W1	BLACK

2. ACCESSORY COMPONENTS:

- (4) 10-32 x 1/2" MOUNTING SCREWS
- (4) 12-24 x 1/2" MOUNTING SCREWS

3. DIMENSIONS IN PARENTHESES ARE METRIC (mm).

4. POWER METER - RED, 4-DIGIT LED CONTINUOUSLY SCROLLS THROUGH POWER FACTOR, AMPS, VOLTS (RMS), AND REAL POWER IN WATTS (RMS).

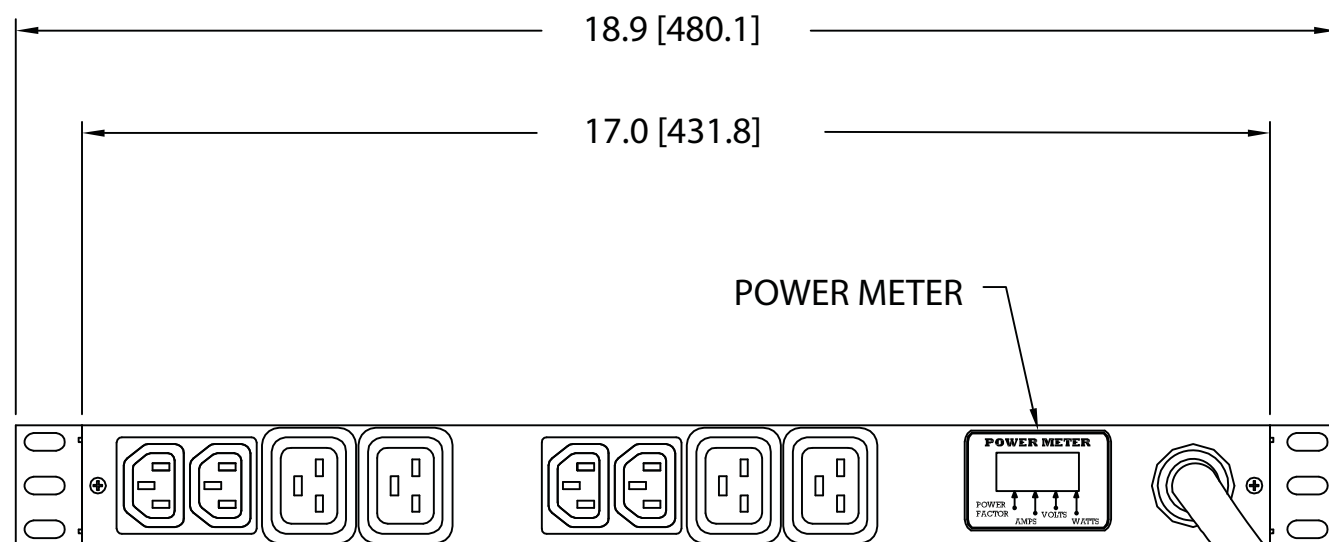
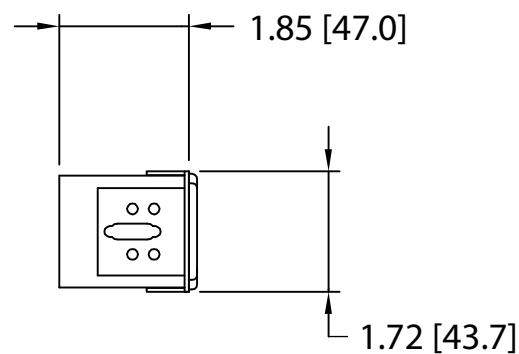
5. UL® & c-UL® LISTED 60950 AND NOM COMPLIANT.

6. RoHS COMPLIANT.

7. VISIT OUR ON-LINE CATALOG AT WWW.PANDUIT.COM FOR A CURRENT LIST OF PRODUCTS APPLICABLE FOR USE WITH THIS PART.

8. MAXIMUM AVAILABLE INPUT POWER = 3.3 KW

9. INSTALLATION SHALL COMPLY WITH ALL APPLICABLE NATIONAL, STATE, AND LOCAL CODES.



PANDUIT P/N	WEIGHT
HB1B1E0BA08W1	6 lb (2.7 kg)

10 FOOT INLET POWER CORD

	PLUG 20 AMP, 250V STRAIGHT BLADE NEMA 6-20P
	FOUR (4) RECEPTACLES 15 AMP, 250V STRAIGHT BLADE IEC 60320/C13
	FOUR (4) RECEPTACLES 20 AMP, 250V STRAIGHT BLADE IEC 60320/C19

REV	DATE	BY	CHK	DESCRIPTION	ECN	R	CUST	SUP	OTH
01A	9-5-12	PIP		A. UPDATED NOTE #5 & 8. B. ADDED NOTE #9.	09V098CI				
00A	2-24-11	MAV	KRKE	RELEASED TO PRODUCTION	09V098CI				

MODEL FILENAME	09V098CI/01.PRT		
CAD FILENAME/LAYERS	09V098CI_DC/01A.PRT		
PANDUIT CORP TINLEY PARK, ILLINOIS			
1RU HORIZONTAL, MIXED (4) C-13 & (4) C-19, METERED POWER OUTLET UNIT CUSTOMER DRAWING			
UNLESS OTHERWISE SPECIFIED, DIMENSIONAL TOLERANCES ARE:			
INCHES	± 0.03	[METRIC - MILLIMETER]	ANGLE
X.X	± 0.015	X.X	± 0.8
X.XX	± 0.005	X.XX	± 0.4
X.XXX	± 0.001	X.XXX	± 0.13
UNLESS OTHERWISE SPECIFIED, ALL DIMENSIONS ARE GIVEN IN INCHES, THIRD ANGLE PROJECTION			
DRAWN BY	MAV	MAT'L:	SCALE
DATE	2-24-11		NONE
CHK'D	KRKE		DRAWING NO.
			09V098CI
			DWG SIZE
			B

X-ON Electronics

Largest Supplier of Electrical and Electronic Components

Click to view similar products for [Power Outlet Strips](#) category:

Click to view products by [Panduit](#) manufacturer:

Other Similar products are found below :

[G20IG606](#) [1301430288](#) [1301530208](#) [1302100069](#) [1301430321](#) [1301530054](#) [1447B163](#) [1585T16A1RA](#) [UL602CB-6](#) [UL7408-6](#) [ULHC4-15](#)
[V20IG606](#) [UL2063BD](#) [TSB](#) [1301530203](#) [4748.03](#) [4309](#) [UL7208-15](#) [3083](#) [3050F](#) [3090](#) [1301530132](#) [1301530117](#) [1301530164](#) [1301530050](#)
[1301530141](#) [1301430252](#) [1301530179](#) [1301530065](#) [1301350158](#) [1301530052](#) [1301530068](#) [1301530120](#) [HB0B1L4BT08W1](#)
[VB0D2B2BM30P1](#) [HA0A1D0CA10E1](#) [HA0A1M2CM10E1](#) [HA1A1D0CA10E1](#) [VB0B1L2BN24H1](#) [PN1A1C0BA10E1](#) [HA0B1E0CA1081](#)
[HA0D2U0CA1081](#) [HA0D2A0CA1081](#) [HA1D2U0CA1081](#) [HA1D2A0CA1081](#) [HB1B2J0AA10M1](#) [LZ1D2A0FA0AJ1](#) [LZ1D2P0FA0AL1](#)
[VB0B1L4CN48M1](#) [MA002](#)