

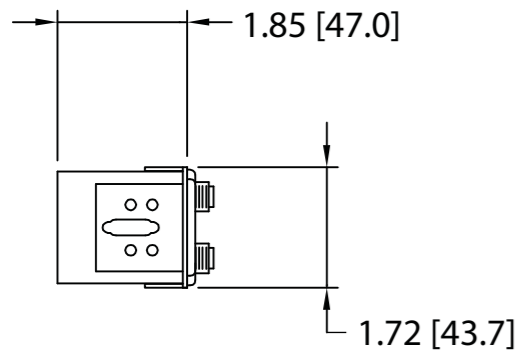
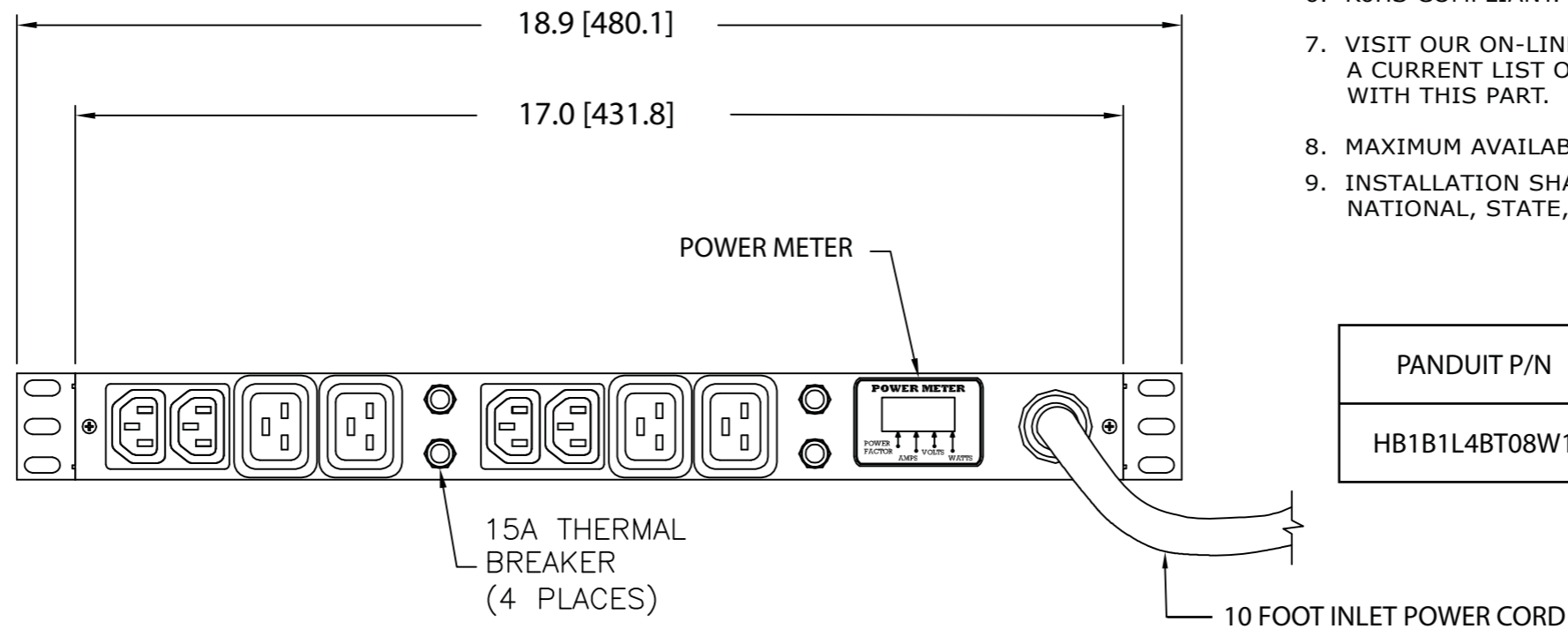
THIS COPY IS PROVIDED ON A RESTRICTED BASIS AND IS NOT TO BE USED IN ANY WAY DETRIMENTAL TO THE INTERESTS OF PANDUIT CORP.

NOTES:

- IDENTIFICATION: 1RU HORIZONTAL, MIXED (4) C-13 & (4) C-19 208V / 30A / SINGLE-PHASE POU
- ACCESSORY COMPONENTS:  
(4) 10-32 x 1/2" MOUNTING SCREWS  
(4) 12-24 x 1/2" MOUNTING SCREWS
- DIMENSIONS IN PARENTHESES ARE METRIC (mm).
- POWER METER - RED, 4-DIGIT LED CONTINUOUSLY SCROLLS THROUGH POWER FACTOR, AMPS, VOLTS (RMS), AND REAL POWER IN WATTS (RMS).
- UL® & c-UL® LISTED 1950.
- RoHS COMPLIANT.
- VISIT OUR ON-LINE CATALOG AT WWW.PANDUIT.COM FOR A CURRENT LIST OF PRODUCTS APPLICABLE FOR USE WITH THIS PART.
- MAXIMUM AVAILABLE INPUT POWER = 5 KW
- INSTALLATION SHALL COMPLY WITH ALL APPLICABLE NATIONAL, STATE, AND LOCAL CODES.

PART NO.	COLOR
HB1B1L4BT08W1	BLACK

PANDUIT P/N	WEIGHT
HB1B1L4BT08W1	6 lb (2.7 kg)



**PLUG**  
30 AMP, 250V  
TWIST-LOCK  
NEMA L6-30P

**FOUR (4) RECEPTACLES**  
15 AMP, 250V  
STRAIGHT BLADE  
IEC 60320/C13

**FOUR (4) RECEPTACLES**  
20 AMP, 250V  
STRAIGHT BLADE  
IEC 60320/C19

REV	DATE	BY	CHK	DESCRIPTION	ECN	R	CUST	SUP	OTH
01A	8-2-12	PIP		A. UPDATED NOTE #8. B. ADDED NOTE #9.	09V098DY				
00A	2-24-11	MAV	KRKE	RELEASED TO PRODUCTION	09V098DY				

MODEL FILENAME	09V098DY/01.PRT	
CAD FILENAME/LAYERS	09V098DY_DC/01A.PRT	
<b>PANDUIT</b> CORP. TINLEY PARK, ILLINOIS		
1RU HORIZONTAL, MIXED (4) C-13 & (4) C-19 POWER OUTLET UNIT CUSTOMER DRAWING		
UNLESS OTHERWISE SPECIFIED, DIMENSIONAL TOLERANCES ARE:		UNLESS OTHERWISE SPECIFIED, ALL DIMENSIONS ARE GIVEN IN INCHES, THIRD ANGLE PROJECTION
INCHES	±0.03	[METRIC - MILLIMETER] ANGLE
X.X	±0.015	X.X ±0.8
X.XX	±0.005	X.XX ±0.4
X.XXX		X.XXX ±0.13
DRAWN BY	MAV	MAT'L:
DATE	2-24-11	SCALE
CHK'D	KRKE	NONE
		DRAWING NO.
		09V098DY
		DWG
		B
		SIZE

## X-ON Electronics

Largest Supplier of Electrical and Electronic Components

*Click to view similar products for [Power Outlet Strips](#) category:*

*Click to view products by [Panduit](#) manufacturer:*

Other Similar products are found below :

[G20IG606](#) [1301430288](#) [1301530208](#) [1302100069](#) [1301430321](#) [1301530054](#) [1447B163](#) [1585T16A1RA](#) [UL602CB-6](#) [UL7408-6](#) [ULHC4-15](#)  
[V20IG606](#) [UL2063BD](#) [TSB](#) [1301530203](#) [4748.03](#) [4309](#) [UL7208-15](#) [3083](#) [3050F](#) [3090](#) [1301530132](#) [1301530117](#) [1301530164](#) [1301530050](#)  
[1301530141](#) [1301430252](#) [1301530179](#) [1301530065](#) [1301350158](#) [1301530052](#) [1301530068](#) [1301530120](#) [HB0B1L4BT08W1](#)  
[VB0D2B2BM30P1](#) [HA0A1D0CA10E1](#) [HA0A1M2CM10E1](#) [HA1A1D0CA10E1](#) [VB0B1L2BN24H1](#) [PN1A1C0BA10E1](#) [HA0B1E0CA1081](#)  
[HA0D2U0CA1081](#) [HA0D2A0CA1081](#) [HA1D2U0CA1081](#) [HA1D2A0CA1081](#) [HB1B2J0AA10M1](#) [LZ1D2A0FA0AJ1](#) [LZ1D2P0FA0AL1](#)  
[VB0B1L4CN48M1](#) [MA002](#)