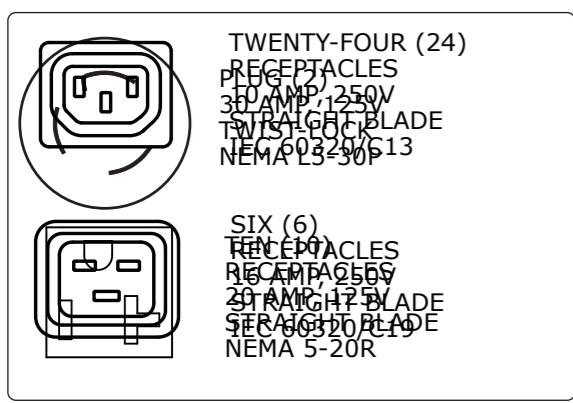
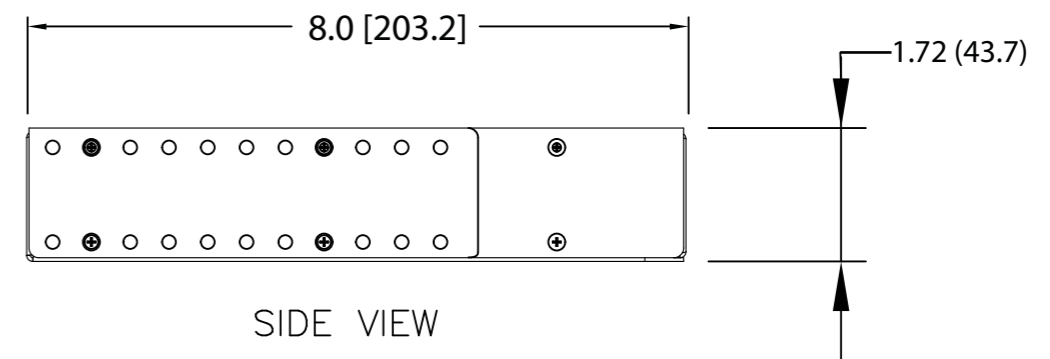
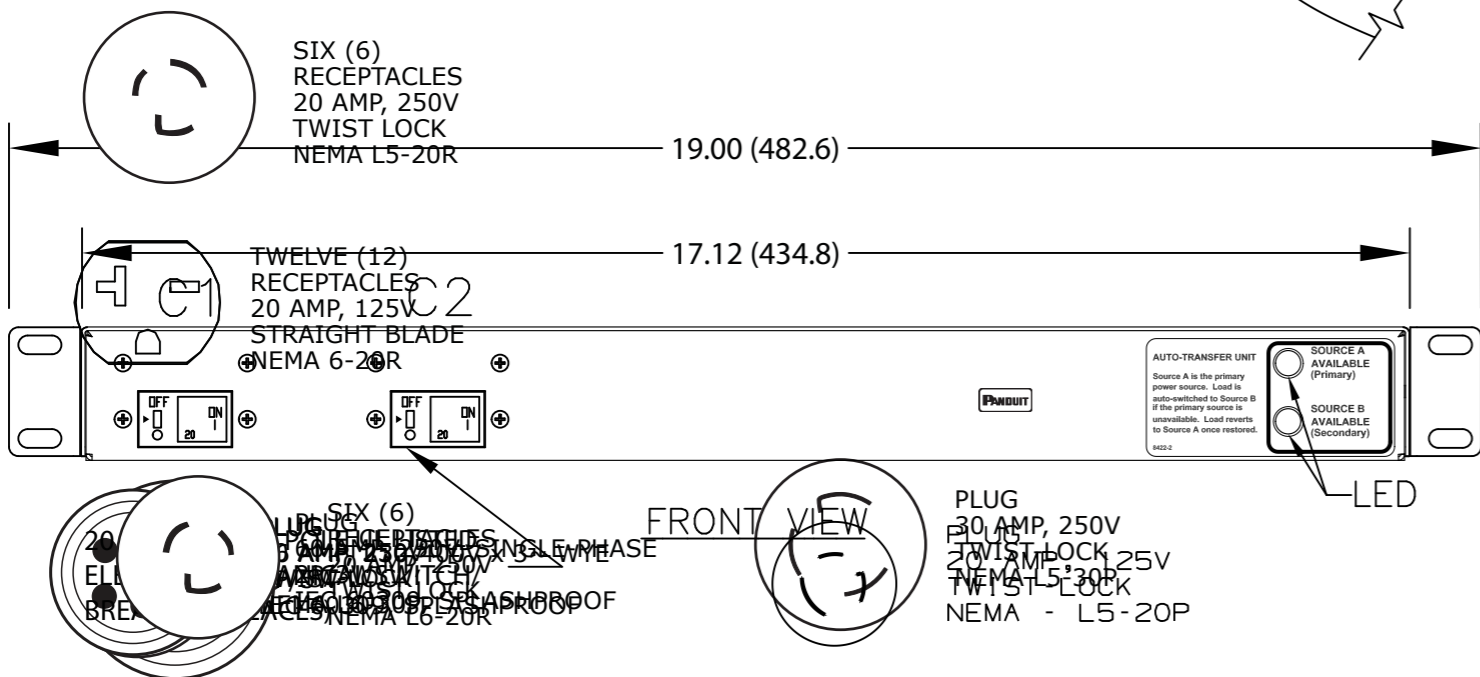
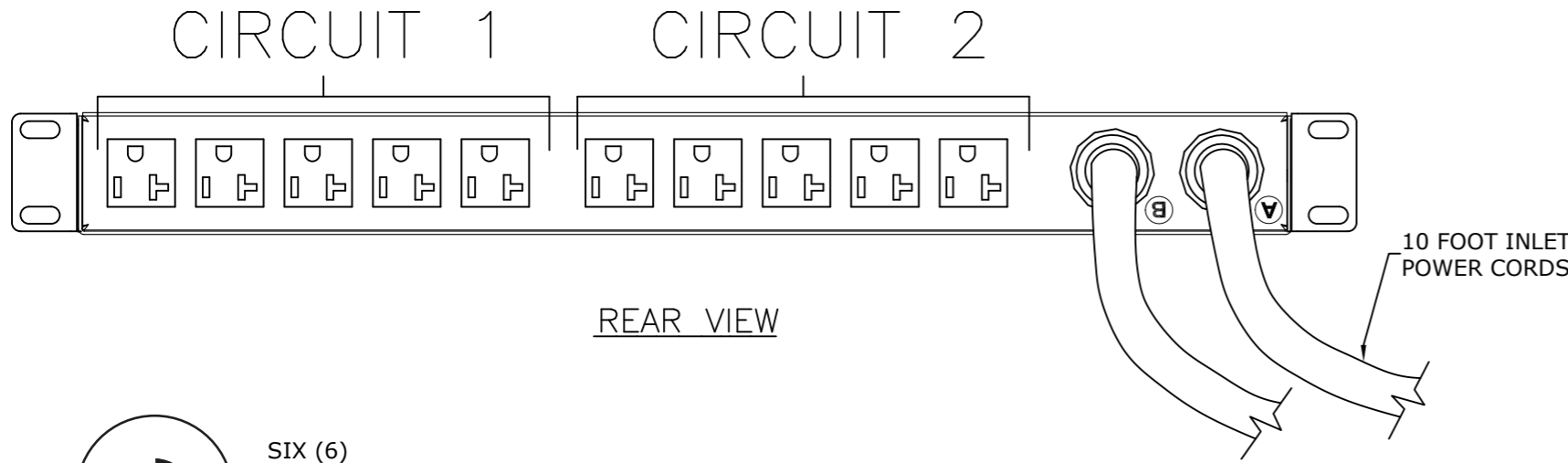


THIS COPY IS PROVIDED ON A RESTRICTED BASIS AND IS NOT TO BE USED IN ANY WAY DETRIMENTAL TO THE INTERESTS OF PANDUIT CORP.

PANDUIT P/N	WEIGHT
HA0A1M2CM10E1	9 lb (4.1 kg)

- NOTES:
- IDENTIFICATION: 2RU HORIZONTAL, (6) L6-20R
  - IDENTIFICATION: 1RU HORIZONTAL, SINGLE-PHASE POU
  - |               |                               |
|---------------|-------------------------------|
| PART NO.      | 208V/200V SINGLE-PHASE POU    |
|               | AUTO-TRANSFER SWITCH          |
|               | 120V / 50A / SINGLE-PHASE POU |
| PART NO.      | BLACK                         |
|               | COLOR                         |
| HA0A1M2CM10E1 | BLACK                         |
  - ACCESSORY COMPONENTS:
    - (4) #10-32 x 1/2" MOUNTING SCREWS
    - (4) #12-24 x 1/2" MOUNTING SCREWS
  - HEXAGONS ARE FOR COMMUNICATION PIPES.
  - DIMENSIONS IN PARENTHESES ARE METRIC (MM)
  - AUTO-TRANSFER SWITCH UNITS WILL AUTOMATICALLY SWITCH FROM THE PRIMARY TO THE SECONDARY POWER SOURCE IF THE PRIMARY POWER SOURCE FAILS. ONCE THE PRIMARY POWER SOURCE BECOMES AVAILABLE AGAIN, THE UNIT WILL AUTO-SWITCH BACK TO THE PRIMARY POWER SOURCE.
  - AUTO SWITCHING RELAY:
    - SWITCHING TYPE - DPDT RELAY
    - UL RELAY CONTACT RATING - 35 AMPS AT 277 VAC
    - EXPECTED LIFE AT RATED LOAD - 100,000 OPERATIONS
    - OPERATE TIME - <25 MILLISECONDS
    - RELEASE TIME - <25 MILLISECONDS
    - PICK UP - 85% OR LESS OF NOMINAL
    - POWER FEEDS A AND B MUST BE PHASE SYNCHRONIZED
  - UL & c-UL LISTED 60950.
  - RoHS COMPLIANT.
  - VISIT OUR ON-LINE CATALOG AT WWW.PANDUIT.COM FOR A CURRENT LIST OF PRODUCTS APPLICABLE FOR USE WITH THIS PART.
  - MAXIMUM AVAILABLE INPUT POWER = 2.4 KW
  - INSTALLATION SHALL COMPLY WITH ALL APPLICABLE NATIONAL, STATE, AND LOCAL CODES.



REV	DATE	BY	CHK	DESCRIPTION	ECN	R	CUST	SUP	OTH
00B	6-21-12	MRWA		A. UPDATED PLUG VOLTAGE RATING					
00A	XX-XX-XX	MRWA		RELEASED TO PRODUCTION					

MODEL FILENAME	09V098XD/00.PRT
CAD FILENAME/LAYERS	09V098XD_DS/00A.PRT
<b>PANDUIT</b> CORP TINLEY PARK, ILLINOIS	
1RU HORIZONTAL, (6) L6-20R TRANSFER POWER OUTPUT UNIT SINGLE-PHASE POU CONTROL DRAWING	
UNLESS OTHERWISE SPECIFIED, DIMENSIONAL TOLERANCES ARE:	UNLESS OTHERWISE SPECIFIED, ALL DIMENSIONS ARE GIVEN IN INCHES, THIRD ANGLE PROJECTION
INCHES X.X +/- 0.03 X.XX +/- 0.015 X.XXX +/- 0.005	[METRIC - MILLIMETER] ANGLE X +/- 0.8 X.X +/- 0.4 X.XX +/- 0.13
DRAWN BY MRWA	MAT'L:
DATE XX-XX-XX	SCALE NONE
CHK'D	DWG 09V098XD
	SIZE B

## X-ON Electronics

Largest Supplier of Electrical and Electronic Components

*Click to view similar products for [Power Outlet Strips](#) category:*

*Click to view products by [Panduit](#) manufacturer:*

Other Similar products are found below :

[G20IG606](#) [1301430288](#) [1301530208](#) [1302100069](#) [1301430321](#) [1301530054](#) [1447B163](#) [1585T16A1RA](#) [UL602CB-6](#) [UL7408-6](#) [ULHC4-15](#)  
[V20IG606](#) [UL2063BD](#) [TSB](#) [1301530203](#) [4748.03](#) [4309](#) [UL7208-15](#) [3083](#) [3050F](#) [3090](#) [1301530132](#) [1301530117](#) [1301530164](#) [1301530050](#)  
[1301530141](#) [1301430252](#) [1301530179](#) [1301530065](#) [1301350158](#) [1301530052](#) [1301530068](#) [1301530120](#) [HB0B1L4BT08W1](#)  
[VB0D2B2BM30P1](#) [HA0A1D0CA10E1](#) [HA0A1M2CM10E1](#) [HA1A1D0CA10E1](#) [VB0B1L2BN24H1](#) [PN1A1C0BA10E1](#) [HA0B1E0CA1081](#)  
[HA0D2U0CA1081](#) [HA0D2A0CA1081](#) [HA1D2U0CA1081](#) [HA1D2A0CA1081](#) [HB1B2J0AA10M1](#) [LZ1D2A0FA0AJ1](#) [LZ1D2P0FA0AL1](#)  
[VB0B1L4CN48M1](#) [MA002](#)