

PLEASE CHECK WWW.MOLEX.COM FOR LATEST PART INFORMATION

Part Number: [0399600110](#)
Status: **Active**
Overview: Eurostyle Terminal Blocks
Description: 8.00mm Beau Eurostyle Fixed Mount PCB Terminal Block, High Voltage 10 Circuits

Documents:

[3D Model](#) [RoHS Certificate of Compliance \(PDF\)](#)
[Drawing \(PDF\)](#)

General

| | |
|----------------|---|
| Product Family | Terminal Blocks |
| Series | 39960 |
| Application | N/A |
| Component Type | One Piece |
| Overview | Eurostyle Terminal Blocks |
| Product Name | Eurostyle Fixed Mount |
| Type | Euro Block |
| UPC | 756054590287 |

Physical

| | |
|--------------------------------|------------------------------|
| Circuits (Loaded) | 10 |
| Circuits (maximum) | 10 |
| Color - Resin | Black |
| Entry Angle | Horizontal |
| Lock to Mating Part | None |
| Material - Metal | High Performance Alloy (HPA) |
| Material - Plating Mating | Tin |
| Material - Plating Termination | Tin |
| Material - Resin | Polyester |
| Number of Rows | 1 |
| Orientation | Vertical |
| PC Tail Length | 4.06mm |
| PCB Retention | None |
| Panel Mount | No |
| Pitch - Mating Interface | 8.00mm |
| Pitch - Termination Interface | 8.00mm |
| Plating min - Mating | 3.810µm |
| Plating min - Termination | 3.810µm |
| Polarized to Mating Part | N/A |
| Shrouded | Fully |
| Stackable | No |
| Surface Mount Compatible (SMC) | No |
| Temperature Range - Operating | 130°C |
| Wire Size AWG | 10, 12, 14, 16, 18, 20, 22 |
| Wire Size mm² | 0.50-4.00 |

Electrical

| | |
|-------------------------------|-------|
| Current - Maximum per Contact | 30.0A |
| Voltage - Maximum | 600V |

Solder Process Data

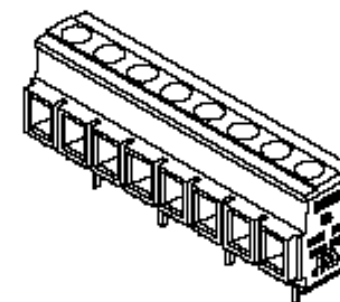
| | |
|-----------------------------|------|
| Lead-freeProcess Capability | WAVE |
|-----------------------------|------|

Material Info

| | |
|--------------------|--------|
| Engineering Number | 960510 |
|--------------------|--------|

Reference - Drawing Numbers

| | |
|---------------|--------------|
| Sales Drawing | SD-39960-002 |
|---------------|--------------|



Series image - Reference only

EU ELV

Not Relevant

EU RoHS

Compliant with Exemption 6(c)

REACH SVHC

Contained Per - ED/61/2018 (27 June 2018)

Lead

Halogen-Free

Status

Not Low-Halogen

For more information, please visit [Contact US](#)

China ROHS

50 Image

ELV

Not Relevant

RoHS Phthalates

Not Contained

Search Parts in this Series

[39960 Series](#)

This document was generated on 10/15/2018

PLEASE CHECK WWW.MOLEX.COM FOR LATEST PART INFORMATION

X-ON Electronics

Largest Supplier of Electrical and Electronic Components

Click to view similar products for [Fixed Terminal Blocks](#) category:

Click to view products by [Molex](#) manufacturer:

Other Similar products are found below :

[00175550202](#) [MBE-1512](#) [MBE-1520](#) [MBE-154](#) [MBE-156](#) [MBES-1510](#) [MBES-153](#) [MBES-156](#) [MH-2512](#) [MHE-132](#) [MHE-133](#) [MHE-163](#)
[MI-254 \(35\)](#) [MI-272](#) [8739](#) [880507](#) [880508](#) [MPT-275](#) [1546551-6](#) [ELM023100](#) [ELM10110G](#) [ELVD12100](#) [BA311TU](#) [BA411SU](#) [MV-152](#)
[MV-253/NCNOC](#) [MV-254-D](#) [MV-255](#) [MV-462](#) [MV-472](#) [MV-493](#) [MVE-252](#) [MVE-253](#) [MVE-258](#) [MVE-273](#) [MVEB-153](#) [1700096](#)
[1702246](#) [1705142](#) [1712417](#) [1713020](#) [1713088](#) [1776118-2](#) [1790852](#) [1-796689-8](#) [1-796692-6](#) [1800001](#) [1800114](#) [1823215](#) [1838462](#)