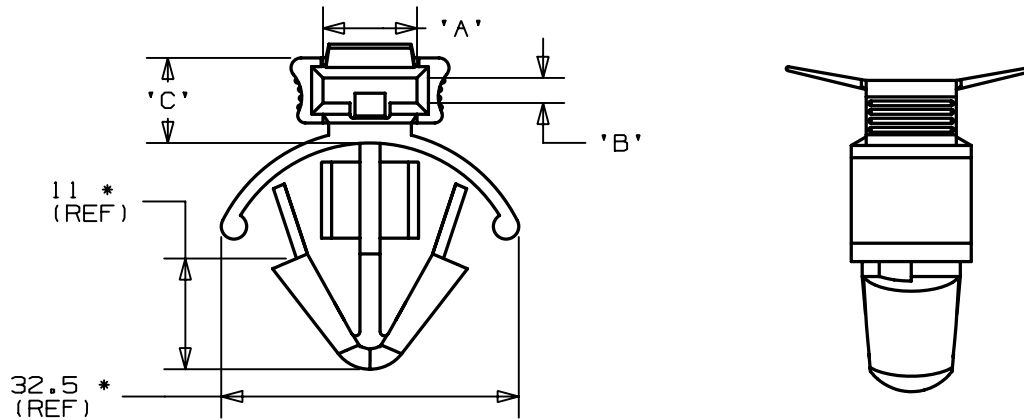


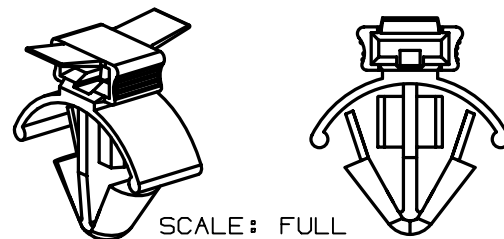
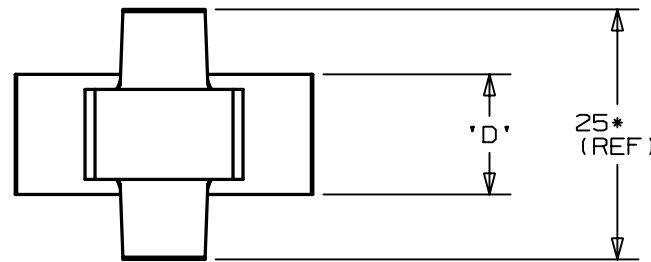
THIS COPY IS PROVIDED ON A RESTRICTED BASIS AND IS NOT TO BE USED IN ANY WAY DETRIMENTAL TO THE INTERESTS OF PANDUIT CORPORATION.

PANDUIT PART NO.	DIMENSIONS				MATERIAL	COLOR	CABLE TIE TYPES:	WEIGHT	
	'A'	'B'	'C'	'D'				grams	100 pcs
PWMHH12-..300	9.4	2.5	8.9	12	HEAT STABILIZED UV-STABILIZED NYLON 6/6	BLACK	S , H	270	



NOTES:

1. SEE CURRENT PRICE SHEET FOR PART NUMBER SUFFIX DESIGNATION FOR PACKAGE SIZE, AND COLOR.
2. (*) DIMENSIONAL VARIANCE IS POSSIBLE DUE TO MOLDING PROCESS RELATED SINK MARKS.
3. APPLICATION SPECIFICATION:
HOLE DIAMETER: 10.0 - 13.0 mm
PANEL THICKNESS: 3.0 - 9.0 mm



CAD FILENAME/LAYERS		G01932BM_PB_PWMHH12_03	
PANDUIT CORP.		TINLEY PARK, ILLINOIS	
WINGED PUSH MOUNT			
Unless otherwise specified, all dimensions are metric tolerance; ±0.5mm			
DRAWN BY	JAD	MAT'L:	SCALE 1.5X
DATE	X5-13-98	SEE ABOVE	DRAWING NO.
CHK'D			GB1932BM
			DWG SIZE A

REV	DATE	BY	CHK	DESCRIPTION	ECN - R	CUST	SUP
3	8/30/05	JAD		DELETE DIM E, DEL DIM 9, 15.4, 8.9 11 WAS 'D', CHANGE 12 TO 'D'	GB1932BM	3	

X-ON Electronics

Largest Supplier of Electrical and Electronic Components

Click to view similar products for [Non-Heat Shrink Tubing and Sleeves](#) category:

Click to view products by [Panduit](#) manufacturer:

Other Similar products are found below :

[601203-000](#) [CTA-0053](#) [8429-9](#) [8445-7.5](#) [8450](#) [120-116-1-1-09BE](#) [120-116-1-1-09BF](#) [120-116-1-1-09BP](#) [120-116-1-1-12BE](#) [120-116-1-1-12BP](#) [120-123-06](#) [120-123-10](#) [120-125-12BL](#) [120-125-12R](#) [120-125-20R](#) [120-126-09](#) [120-126-09BL](#) [120-126-12](#) [120-126-12BL](#) [120-126-52](#) [120-126-52BL](#) [120-104-12](#) [120-105-1-1-06BE](#) [120-105-1-1-06CE](#) [120-116-1-1-06BP](#) [120-116-1-1-10BP](#) [120-116-1-1-12BF](#) [120-123-12](#) [120-125-09](#) [120-125-12](#) [120-125-12Y](#) [120-125-52BL](#) [120-S002-12](#) [120-S001-09](#) [120-S002-09](#) [121-101-1-1-56BFC](#) [121-101-1-1-64BFC](#) [RAY-90-3.0\(100\)](#) [20675-2](#) [8S42-100FR-CS8184](#) [SAS-115-1-1048-1X](#) [SAS-160-1-1048-1X](#) [RAY-103-10.0\(100\)](#) [RAY-103-4.0\(100\)](#) [4627-S](#) [3-1991136-0](#) [561-SL1000PP](#) [561-SL250FRPP](#) [561-SL375NYGY](#) [561-SL375PE](#)