

Solid State LED Lighting System

specifications

The lighting system shall utilize solid state light-emitting diode (LED) technology to provide task/ accent lighting to augment ambient light conditions. The lighting system shall be a 24 VDC solution that provides a light color comparable to 6500 kelvins. The luminaire shall be UL listed. Mounting devices shall be available in screw-fastened and magnetic-base configurations, both having a swivel adjustment range of 110 degrees.



technical information

Fixture dimensions: Length = 12.5"; Width = 0.75"; Height = 0.75"

Mounted fixture dimensions: Length = 12.5"; Width = 0.875"; Height = 1.19" (with LEDASM1), 1.31" (with LEDAMM)

Power consumption: 6 Watts

Light color: 6500 kelvins

Light-emitting angle: 82 degrees

Certifications: UL2108 listed, cULus

RoHS compliant: Yes

Halogen free: Yes

key features and benefits

Compact size Slim linear fixture requires minimal space in the application environment for increased mounting options

Optimal task lighting A color temperature of 6500 kelvins simulates bright "daylight" and improved color representation

Rugged design Impact-resistant polycarbonate optic and anodized aluminum construction ensures product longevity; LED technology eliminates the need for fragile incandescent and fluorescent products

Solid state electronics No electro-magnetic interference (EMI) associated with fluorescent products; compatible with high-performance electronic equipment

Energy efficient Consumes less power per lumen than comparable incandescent or fluorescent products

Flexible mounting configurations Mounts are designed to snap into place anywhere along the length of the fixture housing, and swivel 110 degrees to adjust direction of light. Sold separately from the fixture, mount kits are available in screw-fastened or magnetic-base configurations

applications

The solid state light-emitting diode (LED) technology light system shall provide task/accent lighting to augment ambient lighting conditions, required in industrial enclosures and on-machine systems. This lighting shall be beneficial for activities such as maintenance, asset identification, and physical connections.

Solid State LED Light

12.5" LED strip light: LEDS12

Related Products

Adjustable screw-fastened mount: LEDASM1

Adjustable magnetic mount: LEDAMM

Door switch: LEDDS

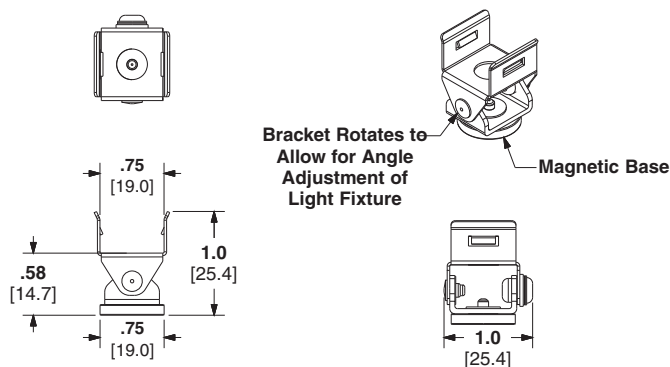
DIN-mount power supply: LEDCPS4

Solid State LED Lighting System

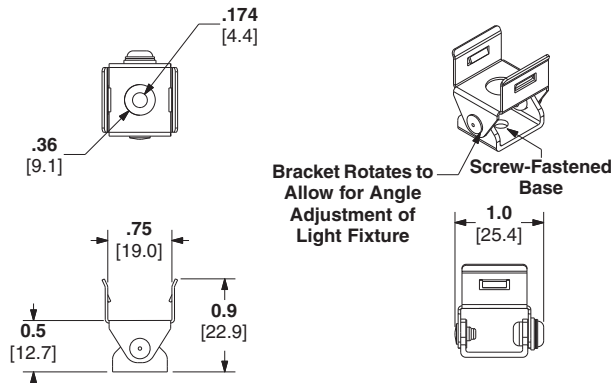
Product Information

Part Number	Description
LEDS12	LED strip light; 12.5" length with 6' tinned leads.
LEDCPS4	Class 2 power supply for DIN-mounted rails; 40 W; 100 – 240 VAC input to 24 VDC output; capable of powering up to four strip lights.
LEDDS	Panel or surface mount door switch, industrial grade; mounts via included ring nuts or customer-supplied fasteners; capable of switching up to four strip lights.
LEDAMM	Adjustable magnetic mount for LED strip light; 7 lb. (reference) magnetic pull force per mount; 110 degree swivel range; kit of two.
LEDASM1	Adjustable screw-fastened mount for LED strip light; recommended #6 fastener not included; 110 degree swivel range; kit of two.

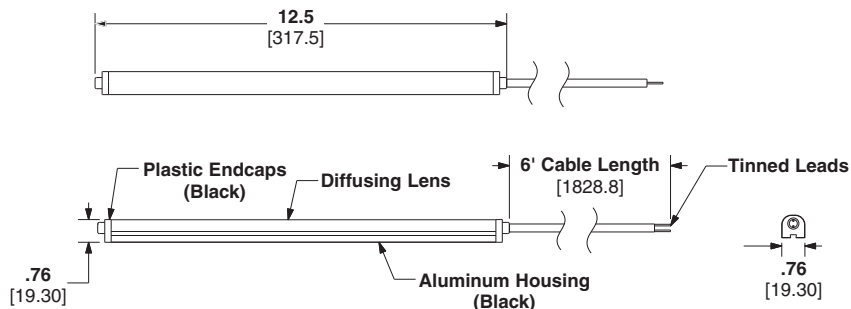
(LEDAMM) Adjustable Magnetic Mounting Brackets for LED Light Strip



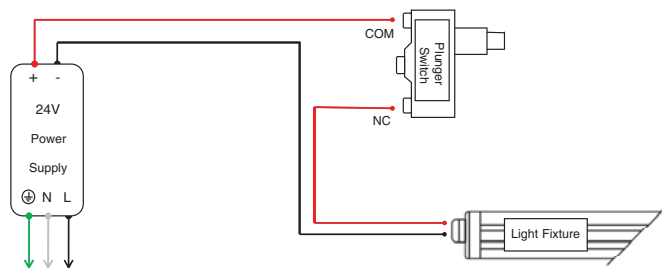
(LEDASM1) Adjustable Screw Mount Brackets for LED Light Strip



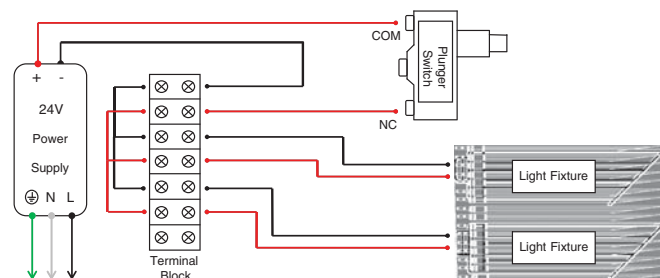
LED Light Strip (LEDS12)



Single Light Configuration



Multiple Light Configuration



Dimensions are in inches. [Dimensions in brackets are metric].

WORLDWIDE SUBSIDIARIES AND SALES OFFICES

PANDUIT CANADA
Markham, Ontario
cs-cdn@panduit.com
Phone: 800.777.3300

PANDUIT EUROPE LTD.
London, UK
cs-emea@panduit.com
Phone: 44.20.8601.7200

PANDUIT SINGAPORE PTE. LTD.
Republic of Singapore
cs-ap@panduit.com
Phone: 65.6305.7575

PANDUIT JAPAN
Tokyo, Japan
cs-japan@panduit.com
Phone: 81.3.6863.6000

PANDUIT LATIN AMERICA
Guadalajara, Mexico
cs-la@panduit.com
Phone: 52.33.3777.6000

PANDUIT AUSTRALIA PTY. LTD.
Victoria, Australia
cs-aus@panduit.com
Phone: 61.3.9794.9020

For a copy of Panduit product warranties, log on to www.panduit.com/warranty

For more information

Visit us at www.panduit.com

Contact Customer Service by email: cs@panduit.com
or by phone: 800.777.3300 and reference RKSP83

PANDUIT

© 2012 Panduit Corp.
ALL RIGHTS RESERVED.

WW-RKSP83

3/2012

X-ON Electronics

Largest Supplier of Electrical and Electronic Components

Click to view similar products for [LED Lighting Fixtures](#) category:

Click to view products by [Panduit](#) manufacturer:

Other Similar products are found below :

[1301080067](#) [XVEC21P](#) [XVEC2B7](#) [113163000-00662717](#) [113472000-00691461](#) [LD6A-3DQB-RYG](#) [LD6A-3DZQB-RYG](#) [LF1B-NA3P-2THWW2-3M](#) [LF1B-NC3P-2THWW2-3M](#) [LF1B-ND3P-2THWW2-3M](#) [E35600](#) [NB-RLAMP01-LED](#) [FLK7LED](#) [LD6A-3WQB-RYG](#) [XVC4B3K](#) [XVBC4M7](#) [2702475](#) [2702482](#) [2702935](#) [2702483](#) [2702936](#) [2702485](#) [2702934](#) [ZWF-638-24CW](#) [ZAF-486-24CW](#) [BC5000-N-S](#) [BP3200-C-S-24](#) [BP3200-C-F-12](#) [BP3100-C-S](#) [BC5000-C-S](#) [2702933](#) [2702477](#) [2403122](#) [2403121](#) [2402991](#) [113261000-00641180](#) [113259000-00641174](#) [190007019-00014904](#) [226108019-00610754](#) [4823](#) [4824](#) [4866](#) [4868](#) [E35611](#) [11212573001-00514271](#) [112887037-00076065](#) [113021000-00564565](#) [113473000-00704968](#) [NB-RLAMP01](#) [E35500](#)