

THIS COPY IS PROVIDED ON A RESTRICTED BASIS AND IS NOT TO BE USED IN ANY WAY DETRIMENTAL TO THE INTERESTS OF PANDUIT CORP.

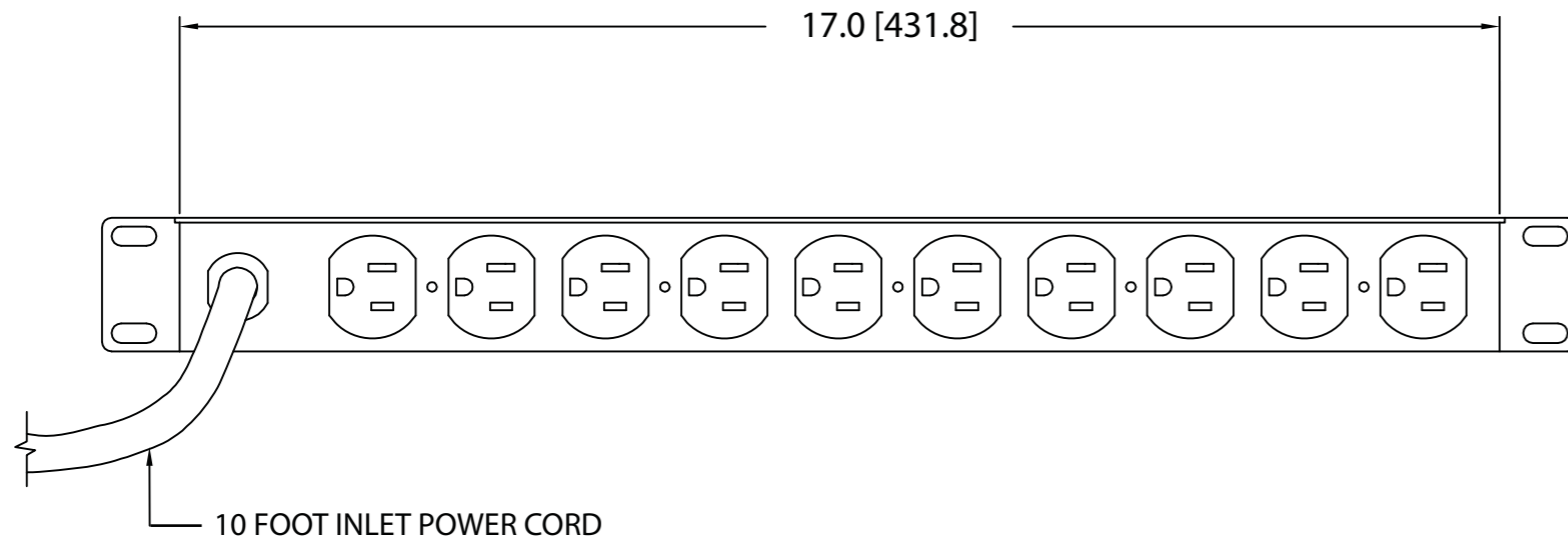
NOTES:

1. IDENTIFICATION: 1RU HORIZONTAL, (10) 5-15R
120V / 15A / SINGLE-PHASE POU WITH SURGE

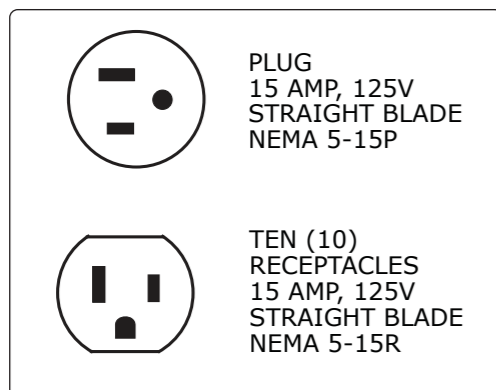
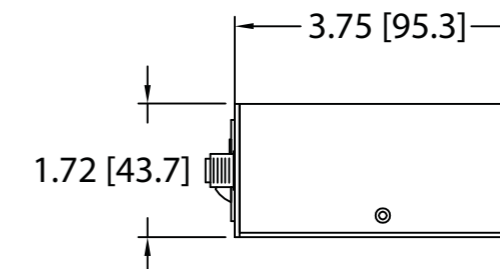
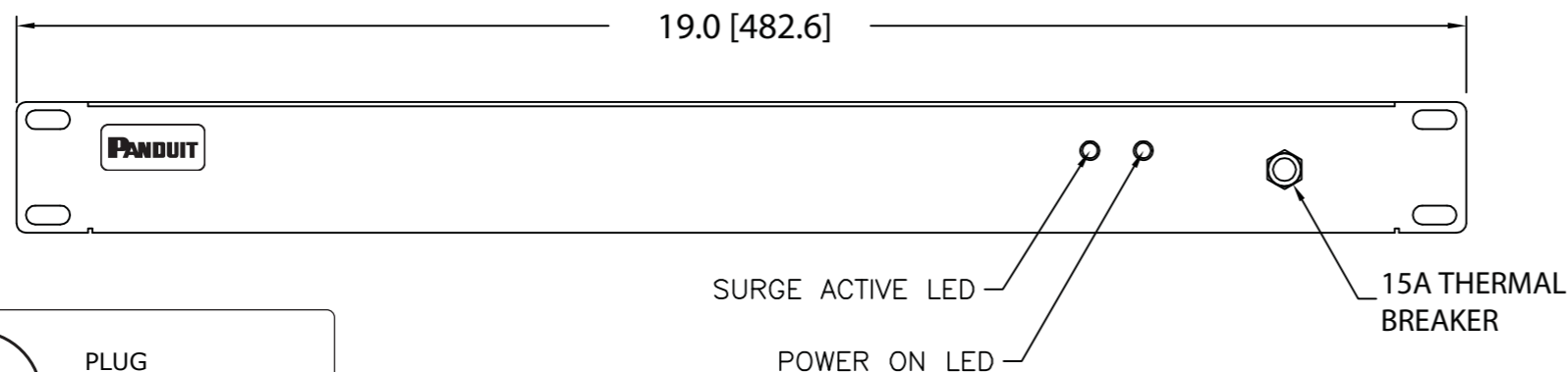
PART NO.	COLOR
CMRPSH15S	BLACK

2. ACCESSORY COMPONENTS:
(4) 10-32 x 1/2" MOUNTING SCREWS
(4) 12-24 x 1/2" MOUNTING SCREWS

3. JOULE RATING 720
4. UL 1449M RATING (500 AMPS) 330 VOLTS
5. CLAMPING LEVEL < 315 VOLTS
6. RESPONSE TIME < 5 NANoseconds
7. TECHNOLOGY USED - SUPER MOVs
8. DIMENSIONS IN PARENTHESEs ARE METRIC (mm).
9. UL & c-UL LISTED 60950.
10. RoHS COMPLIANT.
11. VISIT OUR ON-LINE CATALOG AT WWW.PANDUIT.COM FOR A CURRENT LIST OF PRODUCTS APPLICABLE FOR USE WITH THIS PART.
12. MAXIMUM AVAILABLE INPUT POWER = 1.4 KW
13. INSTALLATION SHALL COMPLY WITH ALL APPLICABLE NATIONAL, STATE, AND LOCAL CODES.



PANDUIT P/N	WEIGHT
CMRPSH15S	6 lb (2.7 kg)



REV	DATE	BY	CHK	DESCRIPTION	ECN	R	CUST	SUP	OTH
00B	3-27-12	MRWA		A. CHANGED BREAKER AMPERAGE	09V098YA				
00A	10-26-11	MRWA		RELEASED TO PRODUCTION	09V098YA				

MODEL FILENAME 09V098YA/00.PRT	
CAD FILENAME/LAYERS 09V098YA_DC/00A.PRT	
PANDUIT CORP TINLEY PARK, ILLINOIS	
1RU HORIZONTAL, (10) 5-15R POWER OUTLET UNIT (CMRPSH15S) CUSTOMER DRAWING	
UNLESS OTHERWISE SPECIFIED, DIMENSIONAL TOLERANCES ARE: INCHES: X.X +/- 0.03, X.XX +/- 0.015, X.XXX +/- 0.005 [METRIC - MILLIMETER]: X +/- 0.8, X.X +/- 0.4, X.XX +/- 0.13 ANGLE: +/- 1°	
UNLESS OTHERWISE SPECIFIED, ALL DIMENSIONS ARE GIVEN IN INCHES, THIRD ANGLE PROJECTION	
DRAWN BY MRWA	MAT'L:
DATE 10-26-11	SCALE NONE
CHK'D	DRAWING NO. 09V098YA
	DWG B SIZE

X-ON Electronics

Largest Supplier of Electrical and Electronic Components

Click to view similar products for [Power Outlet Strips](#) category:

Click to view products by [Panduit](#) manufacturer:

Other Similar products are found below :

[G20IG606](#) [1301430288](#) [1301530208](#) [1302100069](#) [1301430321](#) [1301530054](#) [1447B163](#) [1585T16A1RA](#) [UL602CB-6](#) [UL7408-6](#) [ULHC4-15](#)
[V20IG606](#) [UL2063BD](#) [TSB](#) [1301530203](#) [4748.03](#) [4309](#) [UL7208-15](#) [3083](#) [3050F](#) [3090](#) [1301530132](#) [1301530117](#) [1301530164](#) [1301530050](#)
[1301530141](#) [1301430252](#) [1301530179](#) [1301530065](#) [1301350158](#) [1301530052](#) [1301530068](#) [1301530120](#) [HB0B1L4BT08W1](#)
[VB0D2B2BM30P1](#) [HA0A1D0CA10E1](#) [HA0A1M2CM10E1](#) [HA1A1D0CA10E1](#) [VB0B1L2BN24H1](#) [PN1A1C0BA10E1](#) [HA0B1E0CA1081](#)
[HA0D2U0CA1081](#) [HA0D2A0CA1081](#) [HA1D2U0CA1081](#) [HA1D2A0CA1081](#) [HB1B2J0AA10M1](#) [LZ1D2A0FA0AJ1](#) [LZ1D2P0FA0AL1](#)
[VB0B1L4CN48M1](#) [MA002](#)