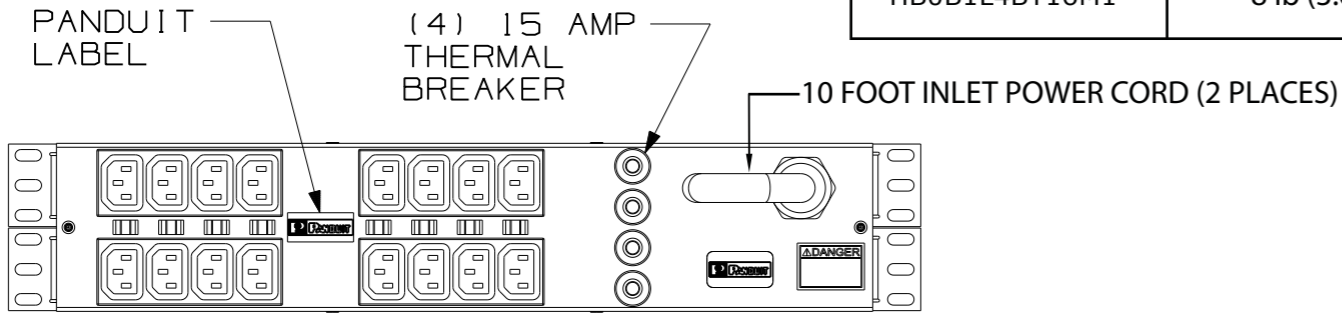
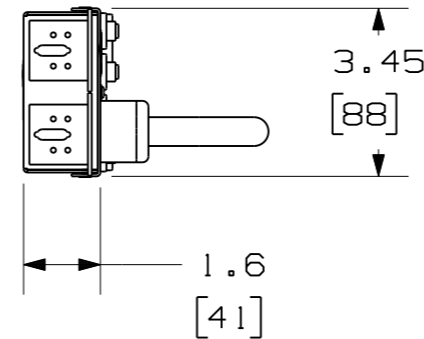
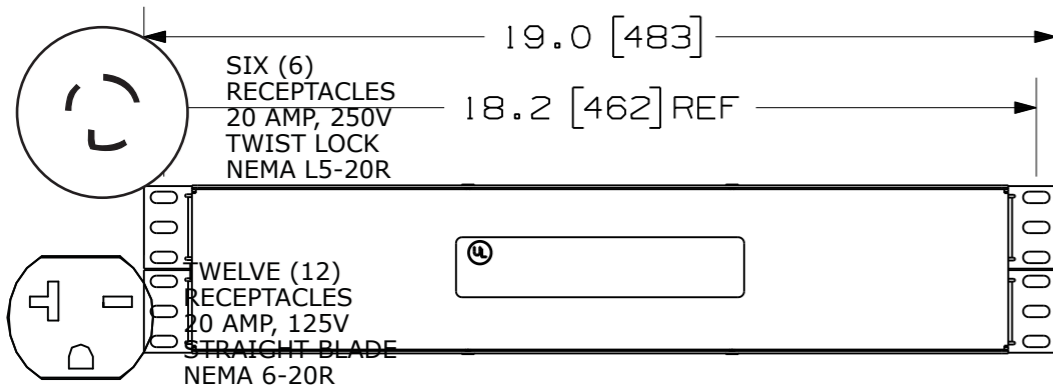


THIS COPY IS PROVIDED ON A RESTRICTED BASIS AND IS NOT TO BE USED IN ANY WAY DETRIMENTAL TO THE INTERESTS OF PANDUIT CORP.

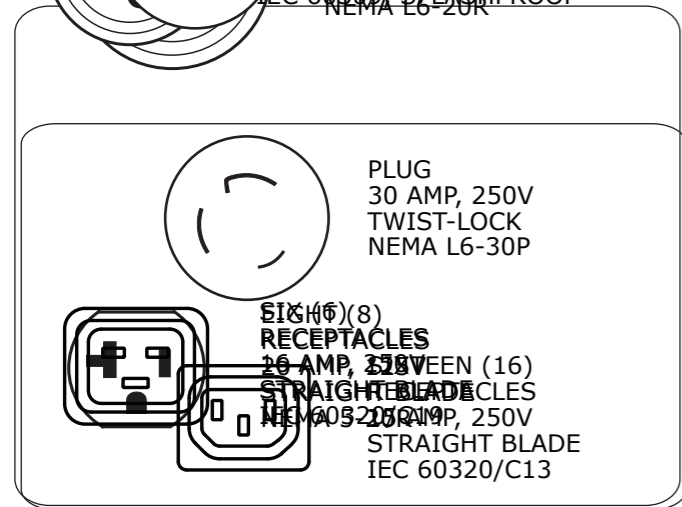
PANDUIT P/N	WEIGHT
HB0B1L4BT16M1	8 lb (3.6 kg)



FRONT VIEW



BACK VIEW



REV	DATE	BY	CHK	DESCRIPTION	ECN	R	CUST	SUP	OTH
00A	19-07-11	MRWA		RELEASED TO PRODUCTION	09V098YT				

MODEL FILENAME		09V098YT/00.PRT	
CAD FILENAME/LAYERS		09V098YT_DS/00A.PRT	
PANDUIT CORP. TINLEY PARK, ILLINOIS			
2 RU HORIZONTAL (16) C13 POWER OUTLET (16) SINGLE PHASE POU CONTROL DRAWING			
UNLESS OTHERWISE SPECIFIED, DIMENSIONAL TOLERANCES ARE:		UNLESS OTHERWISE SPECIFIED, ALL DIMENSIONS ARE GIVEN IN INCHES, THIRD ANGLE PROJECTION.	
INCHES	±0.03	[METRIC - MILLIMETER]	ANGLE
X.X	±0.015	X.X	±0.4
X.XX	±0.005	X.XX	±0.13
DRAWN BY		SCALE	
MRWA		NONE	
DATE		DRAWING NO.	
19-07-11		09V098YT	
CHK'D		DWG SIZE	
		B	

- NOTES:
- IDENTIFICATION: 2 RU HORIZONTAL (16) C13 POWER OUTLET (16) SINGLE PHASE POU 208V / 30A / SINGLE PHASE POU
 - ACCESSORY COMPONENTS:
 - (4) #10-32-24 / 21 / 21 MOUNTING SCREWS
 - (4) #12-24 x 1/2" MOUNTING SCREWS
 - HEXAGONS ARE FOR COMMUNICATION PURPOSES.
 - DIMENSIONS IN PARENTHESES ARE METRIC (mm).
 - DIMENSIONS IN PARENTHESES FOR PACKAGING INFO.
 - UL & c-UL LISTED 60950.
 - RoHS COMPLIANT.
 - VISIT OUR ON-LINE CATALOG AT WWW.PANDUIT.COM FOR A CURRENT LIST OF PRODUCTS APPLICABLE FOR USE WITH THIS PART.
 - MAXIMUM AVAILABLE INPUT POWER = 7.5 KW
 - INSTALLATION SHALL COMPLY WITH ALL APPLICABLE NATIONAL, STATE, AND LOCAL CODES.

X-ON Electronics

Largest Supplier of Electrical and Electronic Components

Click to view similar products for [Power Outlet Strips](#) category:

Click to view products by [Panduit](#) manufacturer:

Other Similar products are found below :

[G20IG606](#) [1301430288](#) [1301530208](#) [1302100069](#) [1301430321](#) [1301530054](#) [1447B163](#) [1585T16A1RA](#) [UL602CB-6](#) [UL7408-6](#) [ULHC4-15](#)
[V20IG606](#) [UL2063BD](#) [TSB](#) [1301530203](#) [4748.03](#) [4309](#) [UL7208-15](#) [3083](#) [3050F](#) [3090](#) [1301530132](#) [1301530117](#) [1301530164](#) [1301530050](#)
[1301530141](#) [1301430252](#) [1301530179](#) [1301530065](#) [1301350158](#) [1301530052](#) [1301530068](#) [1301530120](#) [HB0B1L4BT08W1](#)
[VB0D2B2BM30P1](#) [HA0A1D0CA10E1](#) [HA0A1M2CM10E1](#) [HA1A1D0CA10E1](#) [VB0B1L2BN24H1](#) [PN1A1C0BA10E1](#) [HA0B1E0CA1081](#)
[HA0D2U0CA1081](#) [HA0D2A0CA1081](#) [HA1D2U0CA1081](#) [HA1D2A0CA1081](#) [HB1B2J0AA10M1](#) [LZ1D2A0FA0AJ1](#) [LZ1D2P0FA0AL1](#)
[VB0B1L4CN48M1](#) [MA002](#)