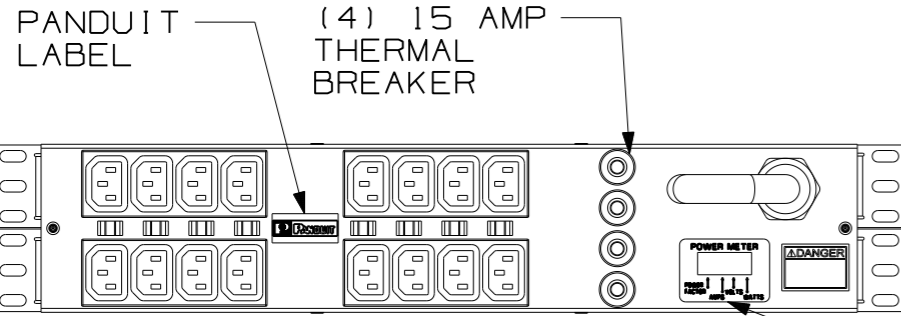
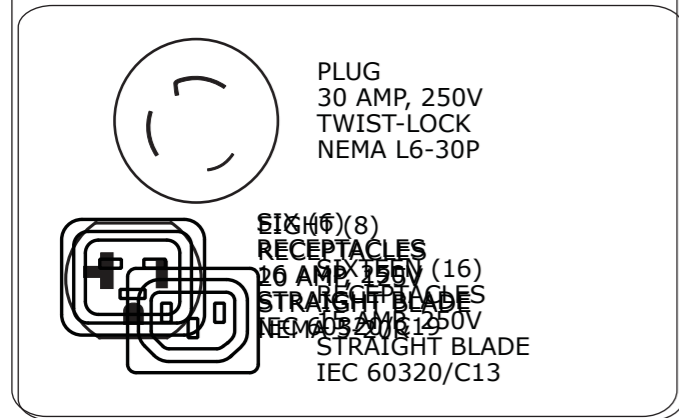
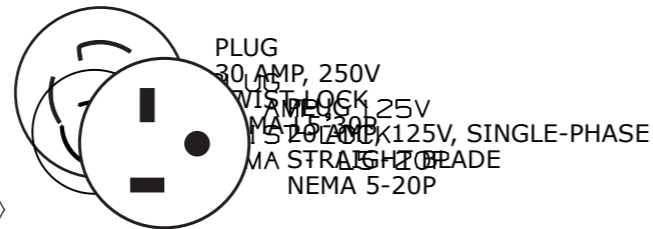
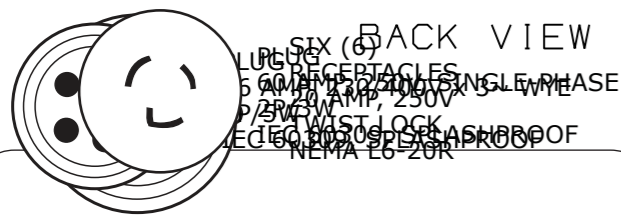
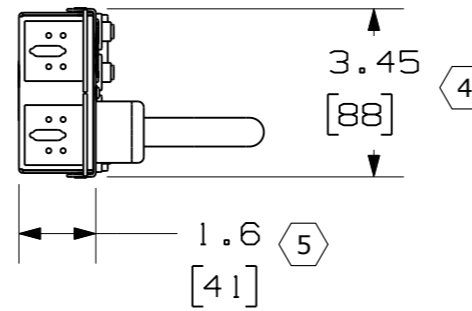
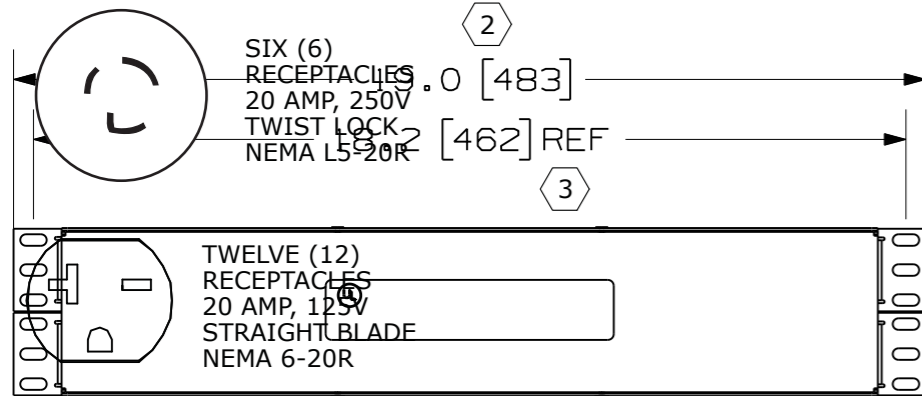


THIS COPY IS PROVIDED ON A RESTRICTED BASIS AND IS NOT TO BE USED IN ANY WAY DETRIMENTAL TO THE INTERESTS OF PANDUIT CORP.

PANDUIT P/N	WEIGHT
HB1B1L4BT16M1	8 lb (3.6 kg)



POWER METER
- AMPS,
VOLTS,
WATTS,
& POWER FACTOR



- NOTES:
- IDENTIFICATION: 2 RU HORIZONTAL, (16) C13, METERED
 - IDENTIFICATION: HORIZONTAL, (16) SINGLE PHASE POU
208V / 30A / SINGLE PHASE POU
- | PART NO. | COLOR |
|---------------|-------|
| HB1B1L4BT16M1 | BLACK |
| HB1B1L4BT16M1 | BLACK |
- ACCESSORY COMPONENTS:
(4) #10-32-24 / 21 / 1 / 1 / 1 / 1 MOUNTING SCREWS
(4) #12-24 x 1/2" MOUNTING SCREWS
 - HEXAGONS ARE FOR COMMUNICATION PURPOSES.
 - DIMENSIONS IN PARENTHESES ARE METRIC (mm).
 - SCROLLING POWER METER DISPLAYS POWER FACTOR INFORMATION. HELPS TO IDENTIFY IF A CIRCUIT IS WASTING ENERGY, WHICH CAN CAUSE SIGNIFICANT DAMAGE TO ELECTRONIC EQUIPMENT AND HIGHER ENERGY COSTS. ALSO DISPLAYED IS AMPS, VOLTS, AND WATTS, THAT ASSISTS WITH POWER MANAGEMENT BY ALLOWING THE USER TO JUDGE THE REMANING CAPACITY OF THE POWER STRIP BEFORE ADDING A NEW DEVICE TO THE CIRCUIT.
 - UL® & c-UL® LISTED 1950.
 - RoHS COMPLIANT.
 - VISIT OUR ON-LINE CATALOG AT WWW.PANDUIT.COM FOR A CURRENT LIST OF PRODUCTS APPLICABLE FOR USE WITH THIS PART.
 - MAXIMUM AVAILABLE INPUT POWER = 5 kW
 - INSTALLATION SHALL COMPLY WITH ALL APPLICABLE NATIONAL, STATE, AND LOCAL CODES.

REV	DATE	BY	CHK	DESCRIPTION	ECN	R	CUST	SUP	OTH
00A	19-11-11	MRWA		RELEASED TO PRODUCTION	09V098YU				

MODEL FILENAME	09V098YU/00.PRT
CAD FILENAME/LAYERS	09V098YU_DS/00A.PRT
PANDUIT CORP TINLEY PARK, ILLINOIS	
2 RU HORIZONTAL (16) C13 METERED POWER STRIP USING (HB1B1L4BT16M1) CONTROL DRAWING	
UNLESS OTHERWISE SPECIFIED, DIMENSIONAL TOLERANCES ARE: INCHES +/- 0.03 [METRIC - MILLIMETER] ANGLE X.X +/- 0.015 X.X +/- 0.8 X.XX +/- 0.01 X.XX +/- 0.4 X.XXX +/- 0.005 X.XXX +/- 0.13 +/- 1°	
UNLESS OTHERWISE SPECIFIED, ALL DIMENSIONS ARE GIVEN IN INCHES, THIRD ANGLE PROJECTION	SCALE NONE
DRAWN BY MRWA	MAT'L:
DATE 19-11-11	
DRAWING NO. 09V098YU	DWG B
SIZE	

X-ON Electronics

Largest Supplier of Electrical and Electronic Components

Click to view similar products for [Power Outlet Strips](#) category:

Click to view products by [Panduit](#) manufacturer:

Other Similar products are found below :

[G20IG606](#) [1301430288](#) [1301530208](#) [1302100069](#) [1301430321](#) [1301530054](#) [1447B163](#) [1585T16A1RA](#) [UL602CB-6](#) [UL7408-6](#) [ULHC4-15](#)
[V20IG606](#) [UL2063BD](#) [TSB](#) [1301530203](#) [4748.03](#) [4309](#) [UL7208-15](#) [3083](#) [3050F](#) [3090](#) [1301530132](#) [1301530117](#) [1301530164](#) [1301530050](#)
[1301530141](#) [1301430252](#) [1301530179](#) [1301530065](#) [1301350158](#) [1301530052](#) [1301530068](#) [1301530120](#) [HB0B1L4BT08W1](#)
[VB0D2B2BM30P1](#) [HA0A1D0CA10E1](#) [HA0A1M2CM10E1](#) [HA1A1D0CA10E1](#) [VB0B1L2BN24H1](#) [PN1A1C0BA10E1](#) [HA0B1E0CA1081](#)
[HA0D2U0CA1081](#) [HA0D2A0CA1081](#) [HA1D2U0CA1081](#) [HA1D2A0CA1081](#) [HB1B2J0AA10M1](#) [LZ1D2A0FA0AJ1](#) [LZ1D2P0FA0AL1](#)
[VB0B1L4CN48M1](#) [MA002](#)