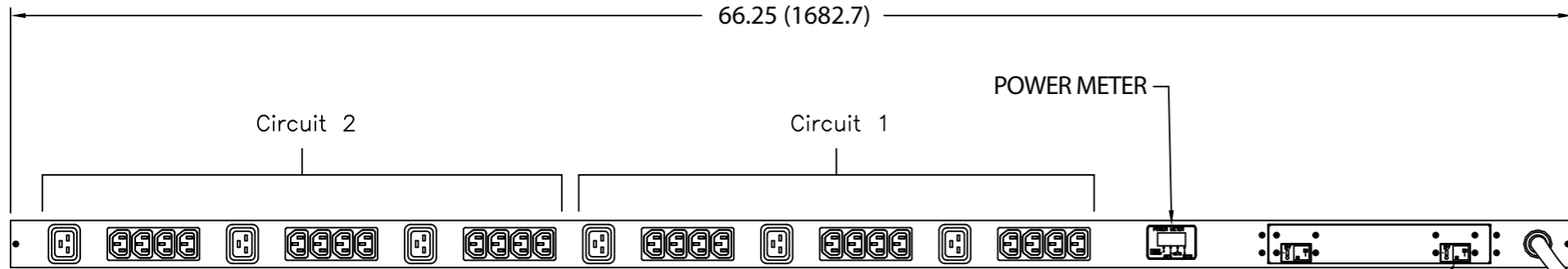


THIS COPY IS PROVIDED ON A RESTRICTED BASIS AND IS NOT TO BE USED IN ANY WAY DETRIMENTAL TO THE INTERESTS OF PANDUIT CORP.

PANDUIT P/N	WEIGHT
VB1B1L2BN30P1	17 lb (7.7 kg)

- NOTES:**
- IDENTIFICATION: VERTICAL, (24) C13 & (6) C19, METERED  
 1. IDENTIFICATION: VERTICAL, (24) C13 & (6) C19, METERED  
 208V / 30A / SINGLE PHASE POU  
 208V / 30A / SINGLE PHASE POU  
 PART NO. COLOR  
 VB1B1L2BN30P1 BLACK
  - ACCESSORY COMPONENTS:  
 (2) #10-32 X 1/2" MOUNTING SCREWS  
 (2) #10-32 X 1/2" MOUNTING SCREWS  
 (2) #12-24 X 1/2" MOUNTING SCREWS  
 (2) #12-24 X 1/2" MOUNTING SCREWS  
 (2) #10-32 LOCKING COLLAR SCREWS  
 (2) #10-32 LOCKING COLLAR SCREWS  
 (2) L-BRACKETS
  - HEXAGONS ARE FOR COMMUNICATION PURPOSES.
  - DIMENSIONS IN PARENTHESES ARE METRIC (mm).
  - POWER METER: RED, 4-DIGIT FOR PACKAGING INFORMATION THROUGH POWER FACTOR, AMPS, VOLTS (RMS), AND REAL POWER IN WATTS (RMS).
  - UL® & c-UL® LISTED 60950.
  - RoHS COMPLIANT.
  - VISIT OUR ON-LINE CATALOG AT WWW.PANDUIT.COM FOR A CURRENT LIST OF PRODUCTS APPLICABLE FOR USE WITH THIS PART.
  - MAXIMUM AVAILABLE INPUT POWER = 5 KW
  - INSTALLATION SHALL COMPLY WITH ALL APPLICABLE NATIONAL, STATE, AND LOCAL CODES.

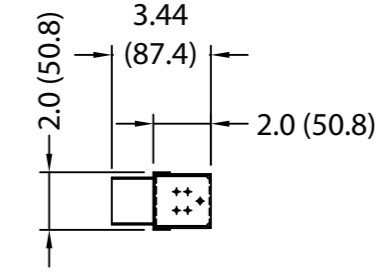
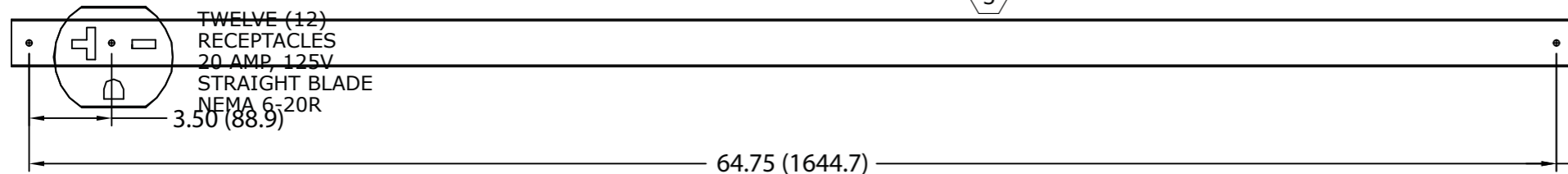


20 AMP, 2 POLE UL LISTED ELECTRO MECHANICAL SWITCH/BREAKER 2 PLACES

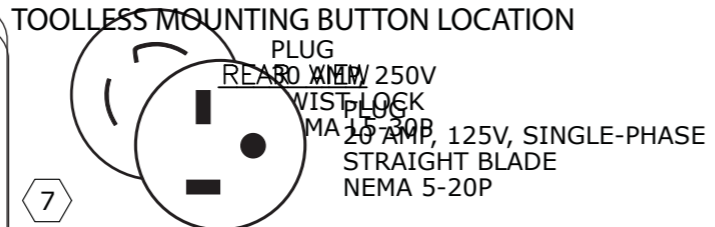
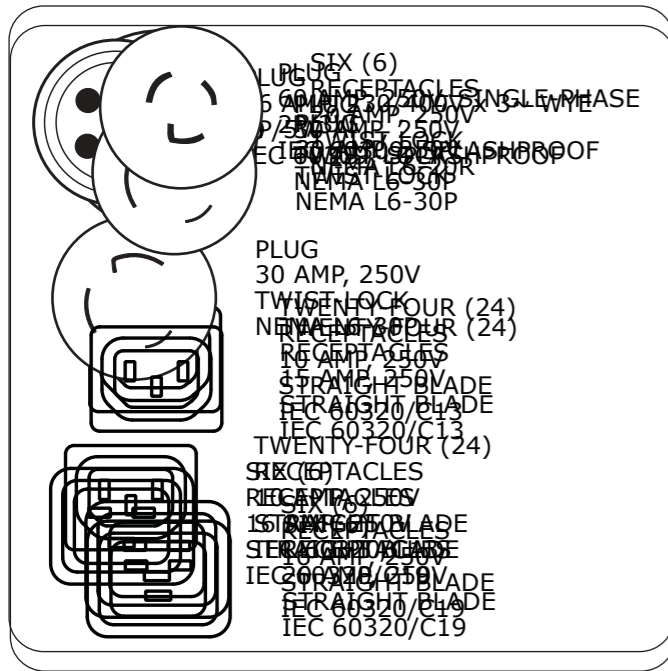
10 FOOT INLET POWER CORD



TOP VIEW



RIGHT SIDE VIEW



REV	DATE	BY	CHK	DESCRIPTION	ECN	R	CUST	SUP	OTH
00A	19-11-11	MRWA		RELEASED TO PRODUCTION	09V098YX				

MODEL FILENAME	09V098YX/00.PRT		
CAD FILENAME/LAYERS	09V098YX_DS/00A.PRT		
<b>PANDUIT</b> CORP TINLEY PARK, ILLINOIS			
VERTICAL (24) C13 & (6) C19, METERED POWER OUTPUT UNIT (VB1B1L2BN30P1) CONTROL DRAWING			
UNLESS OTHERWISE SPECIFIED, DIMENSIONAL TOLERANCES ARE:			UNLESS OTHERWISE SPECIFIED,
INCHES	± 0.03	[METRIC - MILLIMETER]	ANGLE
X.X	± 0.015	X.X	± 0.8
X.XX	± 0.005	X.X	± 0.4
X.XXX	± 0.005	X.XX	± 0.13
DRAWN BY	MRWA	MAT'L:	SCALE
DATE	19-11-11		NONE
CHK'D			DWG
			09V098YX
			B
			SIZE

## X-ON Electronics

Largest Supplier of Electrical and Electronic Components

*Click to view similar products for [Power Outlet Strips](#) category:*

*Click to view products by [Panduit](#) manufacturer:*

Other Similar products are found below :

[G20IG606](#) [1301430288](#) [1301530208](#) [1302100069](#) [1301430321](#) [1301530054](#) [1447B163](#) [1585T16A1RA](#) [UL602CB-6](#) [UL7408-6](#) [ULHC4-15](#)  
[V20IG606](#) [UL2063BD](#) [TSB](#) [1301530203](#) [4748.03](#) [4309](#) [UL7208-15](#) [3083](#) [3050F](#) [3090](#) [1301530132](#) [1301530117](#) [1301530164](#) [1301530050](#)  
[1301530141](#) [1301430252](#) [1301530179](#) [1301530065](#) [1301350158](#) [1301530052](#) [1301530068](#) [1301530120](#) [HB0B1L4BT08W1](#)  
[VB0D2B2BM30P1](#) [HA0A1D0CA10E1](#) [HA0A1M2CM10E1](#) [HA1A1D0CA10E1](#) [VB0B1L2BN24H1](#) [PN1A1C0BA10E1](#) [HA0B1E0CA1081](#)  
[HA0D2U0CA1081](#) [HA0D2A0CA1081](#) [HA1D2U0CA1081](#) [HA1D2A0CA1081](#) [HB1B2J0AA10M1](#) [LZ1D2A0FA0AJ1](#) [LZ1D2P0FA0AL1](#)  
[VB0B1L4CN48M1](#) [MA002](#)