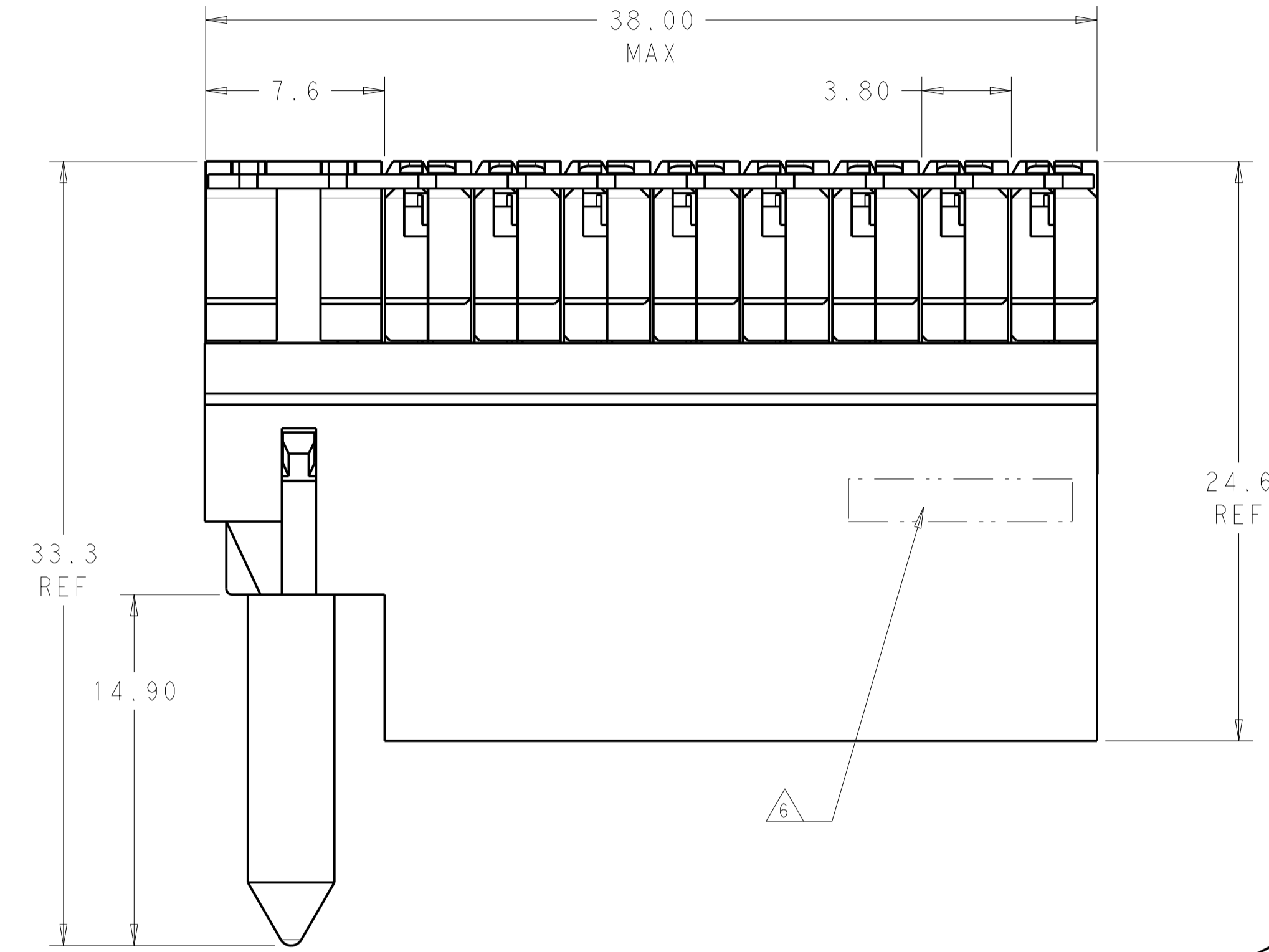
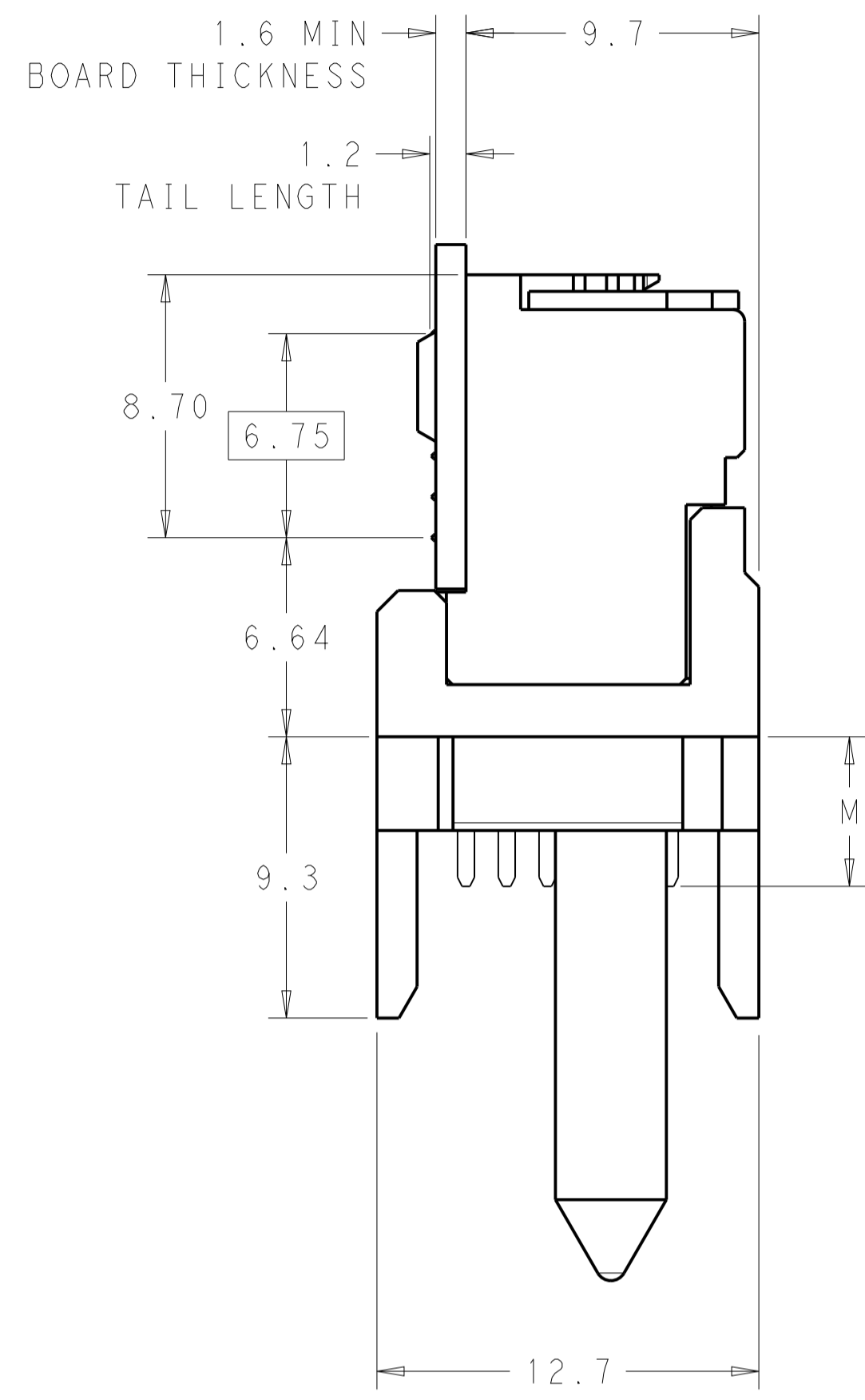
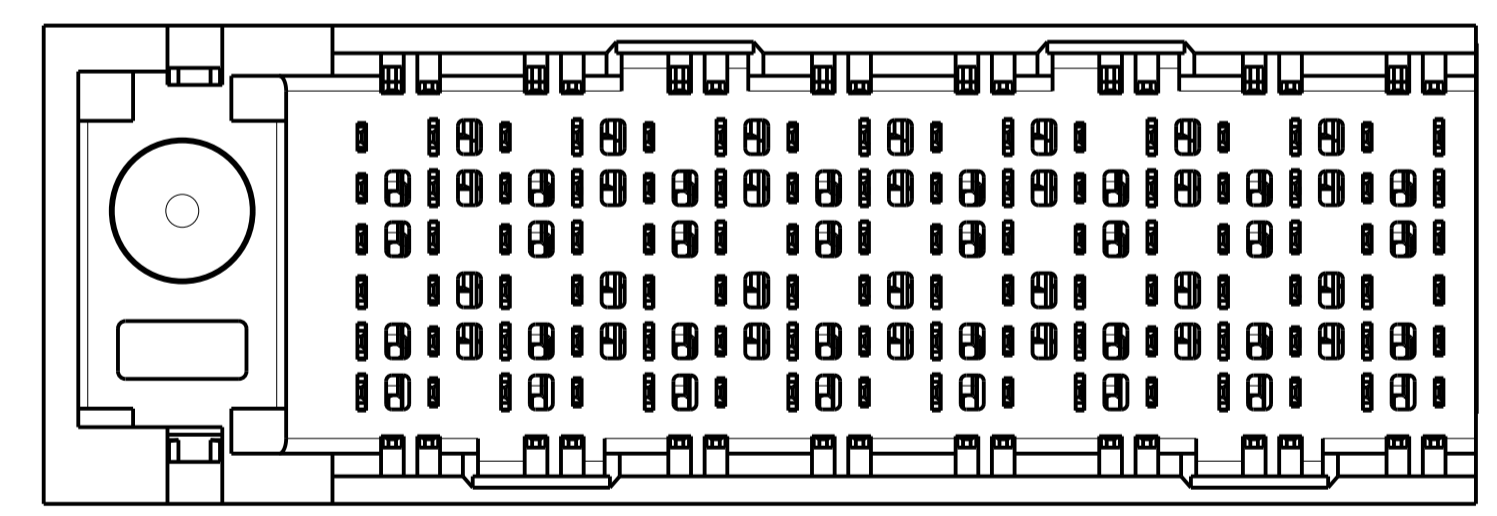
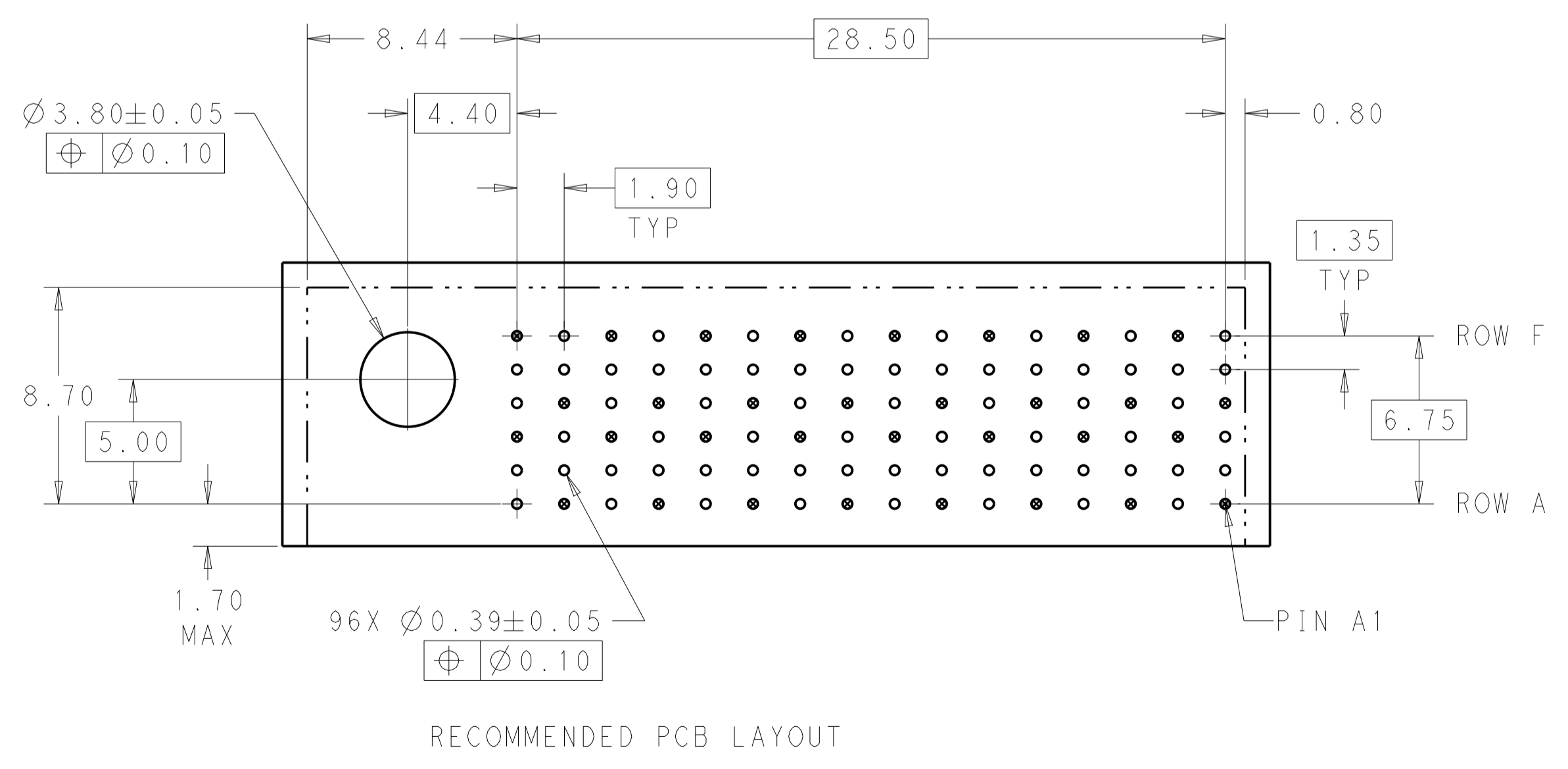
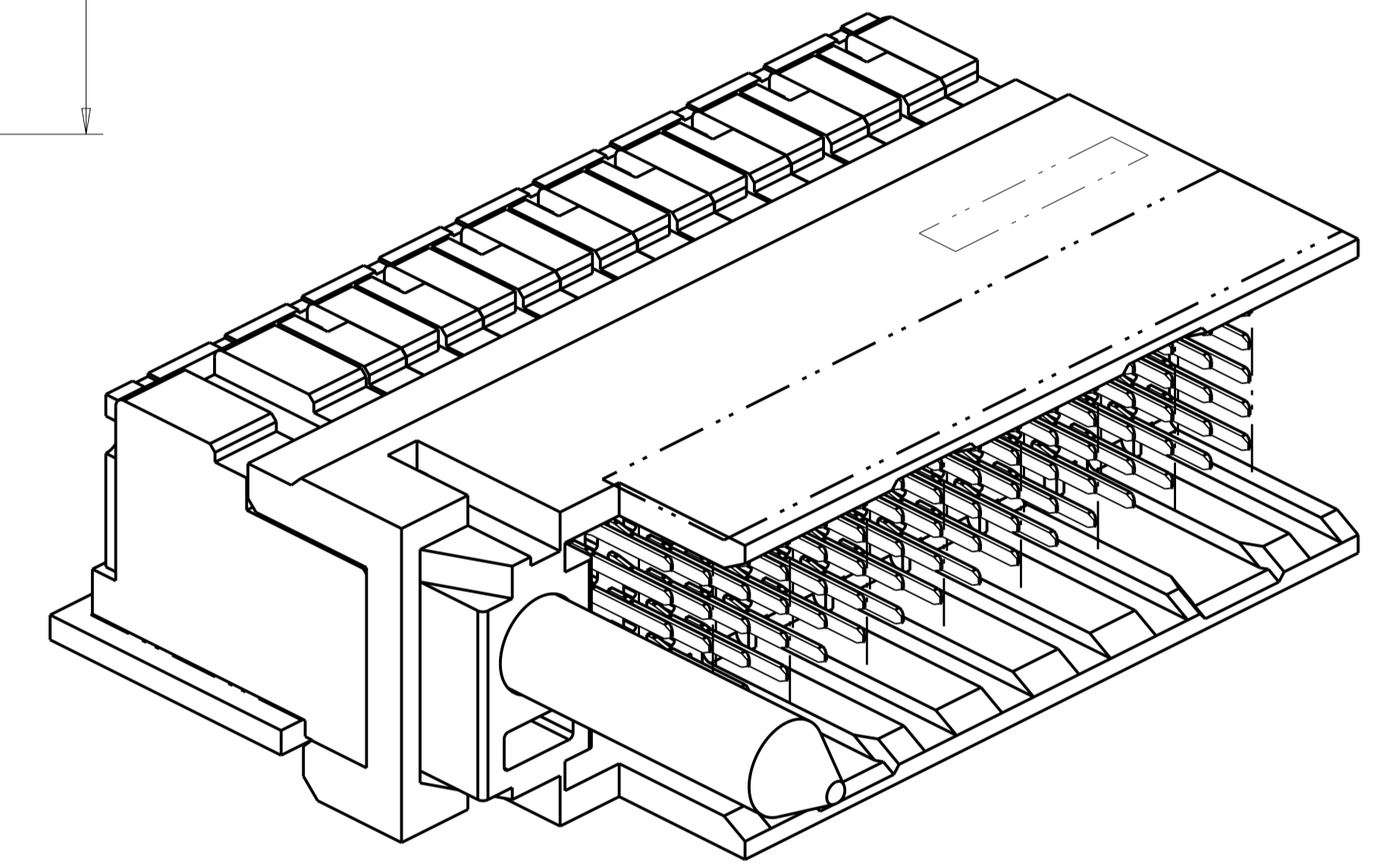


LOC		DIST		REVISIONS			
AD	00	REV	DATE	BY	CHK	APP	DATE
		C	22APR2014	AP	DD		

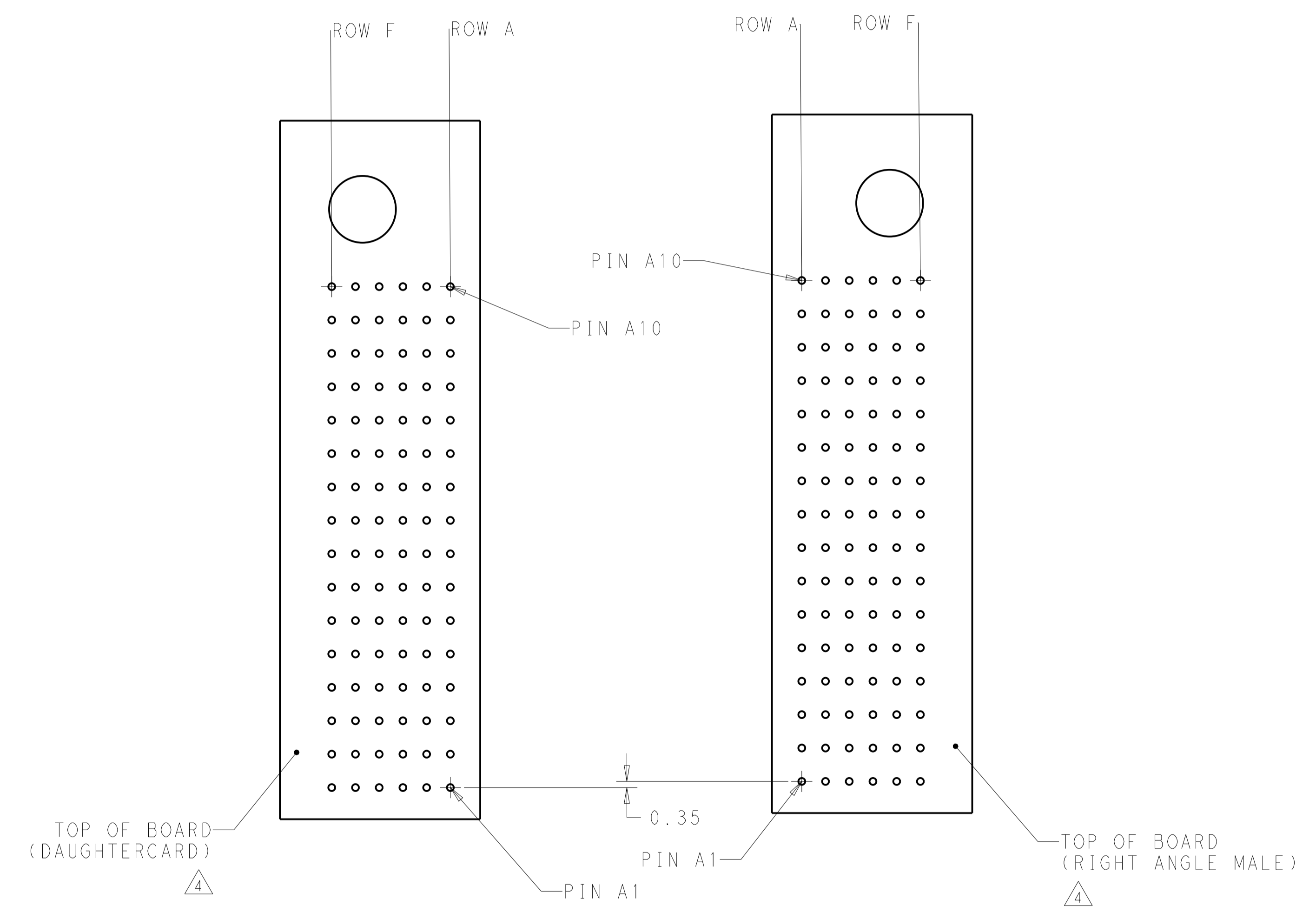


- △ MATERIAL:
HOUSING: LCP, GLASS FILLED, UL94V-0.
TERMINALS: HIGH PERFORMANCE COPPER ALLOY.
- △ FINISH:
30µm SELECTIVE GOLD IN CONTACT AREA. SELECTIVE TIN ON PCB TAILS, NICKEL OVERALL.
- △ FINISH:
30µm SELECTIVE GOLD IN CONTACT AREA. SELECTIVE TIN-LEAD ON PCB TAILS, NICKEL OVERALL.
- △ LEFT GUIDED RIGHT ANGLE MALE MATES TO RIGHT GUIDED RIGHT ANGLE RECEPTACLE.
- 5. CONNECTOR SUPPLIED WITH MOUNTING SCREW.
- △ TE LOGO LOCATED IN APPROXIMATE LOCATION.



THIS DRAWING IS A CONTROLLED DOCUMENT.		DWN	07APR2011	TE Connectivity			
DIMENSIONS:		CHK	07APR2011				
mm	0 PLC ±0.25 1 PLC ±0.13 2 PLC ±0.13 3 PLC ±0.13 4 PLC ±0.13	APVD	07APR2011	NAME IMPACT, STD. RAM, 2 PAIR, 16 COLUMN, LEFT GUIDED OPEN END WALL SIGNAL MODULE, 0.39 EYELET			
TOLERANCES UNLESS OTHERWISE SPECIFIED:		PRODUCT SPEC APPLICATION SPEC					
MATERIAL		WEIGHT		SIZE	CAGE CODE	DRAWING NO	RESTRICTED TO
FINISH SEE TABLE		CUSTOMER DRAWING		A1	00779	C=2143313	
ANGLES		SCALE		5:1	SHEET 1 OF 2		REV C

LOC		DIST		REVISIONS				
AD	00	REV	DATE	DESCRIPTION	DATE	DWN	APVD	
		-	-	SEE SHEET 1	-	-	-	



COPLANAR MATED SIGNAL PATHS



△3	5.50	2143313-6
△3	4.90	2143313-5
△2	5.50	2143313-3
△2	4.90	2143313-2
FINISH	DIM M	PART NUMBER

REFER TO WWW.TE.COM FOR PRODUCT AVAILABILITY

THIS DRAWING IS A CONTROLLED DOCUMENT.		DWN	07APR2011	TE Connectivity
DIMENSIONS:		CHK	07APR2011	
mm	TOLERANCES UNLESS OTHERWISE SPECIFIED:	APVD	07APR2011	NAME IMPACT, STD. RAM, 2 PAIR, 16 COLUMN, LEFT GUIDED OPEN END WALL SIGNAL MODULE, 0.39 EYELET
	0 PLC ±	PRODUCT SPEC		
	1 PLC ±0.25	APPLICATION SPEC		SIZE
	2 PLC ±0.13	WEIGHT		CAGE CODE
	3 PLC ±	CUSTOMER DRAWING		DRAWING NO
	4 PLC ±	SCALE		RESTRICTED TO
	ANGLES ±	5:1		2
	FINISH	SHEET		2
	SEE TABLE	OF		2
		REV		C

X-ON Electronics

Largest Supplier of Electrical and Electronic Components

Click to view similar products for [High Speed/Modular Connectors](#) category:

Click to view products by [TE Connectivity](#) manufacturer:

Other Similar products are found below :

[2332816-1](#) [89006-1137LF](#) [650827-1](#) [65762-001LF](#) [73474-201LF](#) [74040-1346](#) [74075-0267](#) [1410191-1](#) [1410337-1](#) [1410368-3](#) [1410964-2](#)
[1410367-3](#) [1410971-4](#) [1467833-1](#) [2000877-1](#) [2000878-1](#) [2041314-1](#) [2065387-1](#) [2187307-1](#) [2187462-1](#) [2226278-6](#) [KA81-07](#) [91290-101LF](#)
[163P](#) [1934290-1](#) [2000875-1](#) [2065917-1](#) [2102736-2](#) [FSR-40](#) [2169868-2](#) [2226279-2](#) [22354-8](#) [437-5040-000](#) [5-1393565-0](#) [532449-3](#) [532803-](#)
[2](#) [34745-0001](#) [0736440217](#) [1-1393708-5](#) [72388-0021LF](#) [73774-1000](#) [532939-1](#) [5-531355-3](#) [5532901-3](#) [85838-180LF](#)
[HM1S43TRR460H6PLF](#) [0760205010](#) [1-966831-4](#) [3-1469268-7](#) [77427-121LF](#)