

NOTES

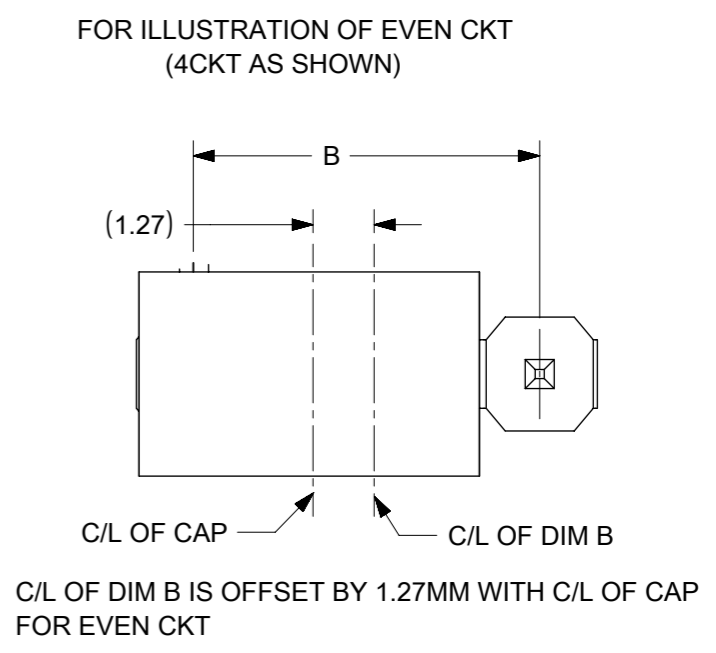
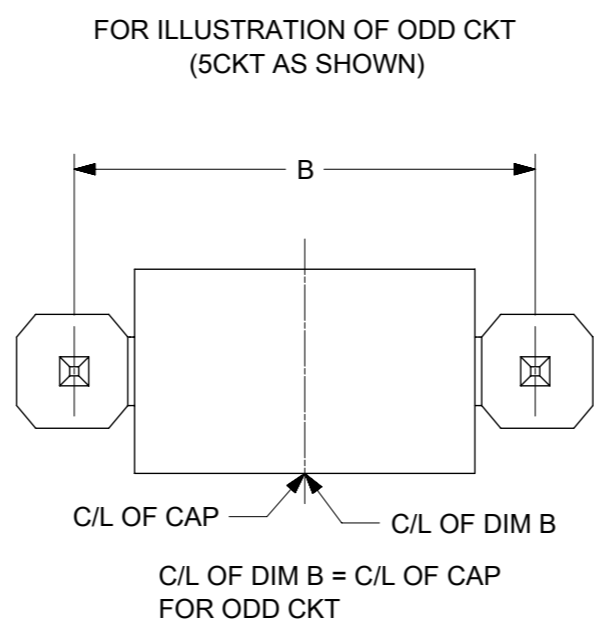
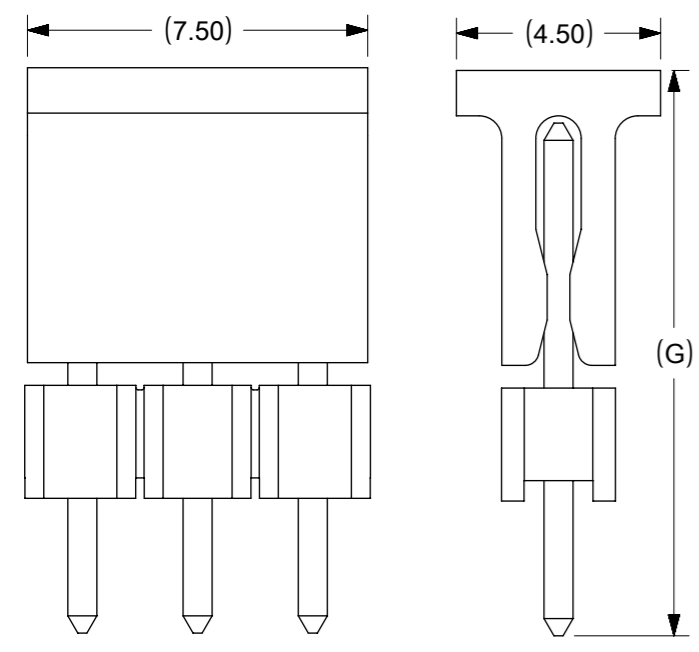
1. MATERIAL:  
HSG: NYLON, GLASS-FILLED, UL94V-0 COLOR: BLACK  
PIN: 0.64MM SQ, COPPER ALLOY
2. PLATING TYPE:  
(1) GOLD FLASH OVER  
1.25µm MIN. NICKEL OVERALL.  
(2) GOLD FLASH ON CONTACT AND  
2.50µm MIN. TIN ON SOLDER TAIL OVER  
1.25µm MIN. NICKEL OVERALL.  
(3) 0.38µm MIN. GOLD PLATE ON CONTACT AND  
2.00µm MIN. TIN ON SOLDER TAIL OVER  
1.25µm MIN. NICKEL OVERALL.  
(4) 0.75µm MIN. GOLD PLATE ON CONTACT AND  
2.00µm MIN. TIN ON SOLDER TAIL OVER  
1.25µm MIN. NICKEL OVERALL.  
(5) 2.50µm MIN TIN OVERALL  
1.25µm MIN NICKEL OVERALL
3. PRODUCT SPECIFICATION: PS-87920-019
4. PACKAGING TYPE: SEE TABLE
5. WAFER TO BE FLAT WITHIN 0.003 mm/mm
6. RECOMMENDED PCB THICKNESS IS 1.60mm±0.10
7. IRREGULAR CIRCUIT CUTOFF WITHIN BREAKAWAY SECTION IS PERMISSIBLE. CUTTING OR CHIPPING OF THE MAIN BODY IS NOT ACCEPTABLE
8. THE ABOVE CKT 6 IS FOR ILLUSTRATION PURPOSE ONLY
9. PACKAGING SPECIFICATION:  
TRAY: PK-89990-489  
BULK: PK-89990-491  
T&R : PK-87898-400  
TUBE: PK-89990-934
10. REFER SHEET 2 FOR CAP LOCATION.

THIS DRAWING CONTAINS INFORMATION THAT IS PROPRIETARY TO MOLEX ELECTRONIC TECHNOLOGIES, LLC AND SHOULD NOT BE USED WITHOUT WRITTEN PERMISSION

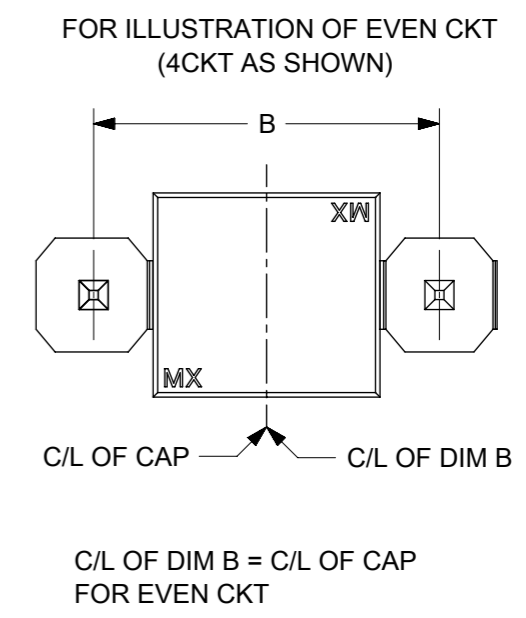
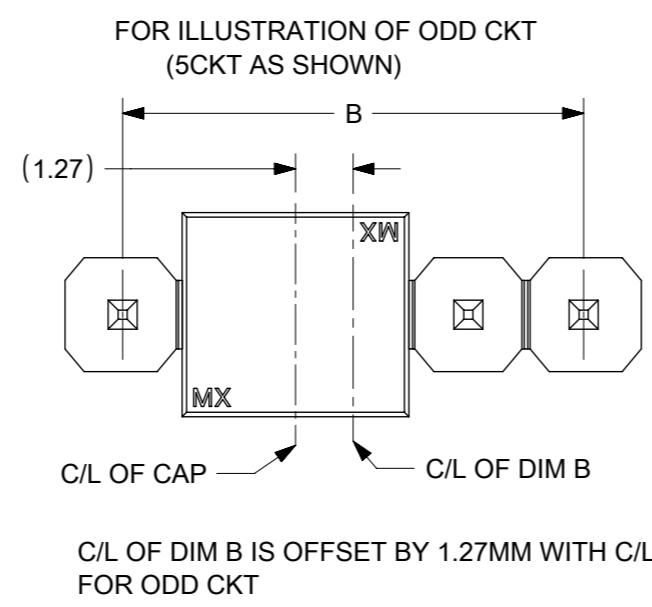
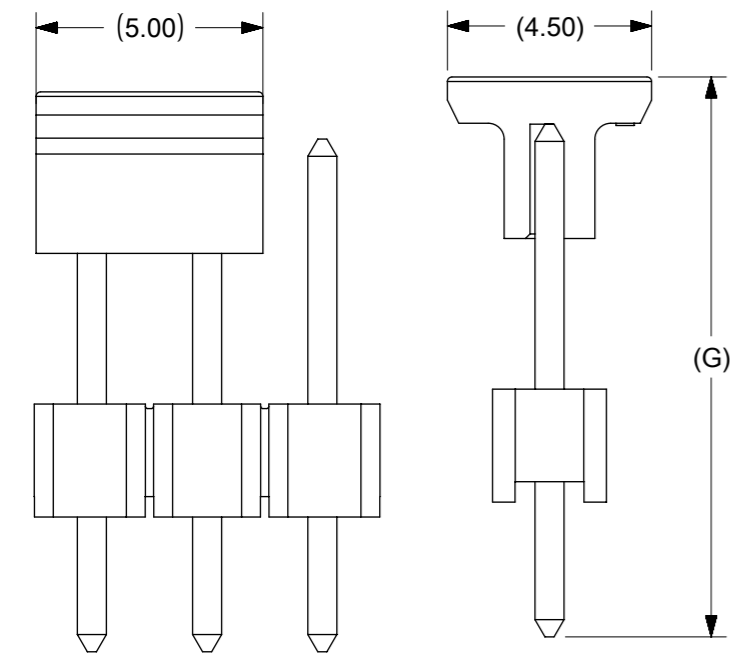
|  |                                       |       |                 |            |                        |            |   |  |  |  |
|--|---------------------------------------|-------|-----------------|------------|------------------------|------------|---|--|--|--|
| 87891-0216/0523 ADD<br>2017/08/08<br>EC NO: 120412<br>DRWN: VLM<br>CHK'D:<br>REV APPR: ISHWARG | GENERAL TOLERANCES (UNLESS SPECIFIED) |       | DIMENSION UNITS |            | SCALE                  |            |   |  |  |  |
|  |                                       |       | MM              | INCH       | MM                     | NTS        |   |  |  |  |
|  | 4 PLACES                              | ±     | ±               | DRWN BY    |                        | DATE       |   | <b>CUSTOM HEADER</b><br>2.54MM PITCH, SINGLE ROW SINGLE WAFER, T/H HEADER<br><br><b>PRODUCT CUSTOMER DRAWING</b> |  |  |
|  | 3 PLACES                              | ±     | ±               | KCHO       |                        | 2004/03/24 |   |  |  |  |
| 2 PLACES   | ±                                     | 0.2   | CHK'D BY        |            | DATE                   |            |   |  |  |  |
| 1 PLACES   | ±                                     | ±     | PTLIM           |            | 2004/04/02             |            |   |  |  |  |
| 0 PLACES   | ±                                     | ±     | APPR BY         |            | DATE                   |            | SERIES: 87891<br>MATERIAL NUMBER: SEE TABLE<br>CUSTOMER: GENERAL MARKET                 |  |  |  |
| ANGULAR TOL = 3.0  |                                       | SCLOW |                 | 2004/04/08 |                        |            |   |  |  |  |
| DRAFT WHERE APPLICABLE MUST REMAIN WITHIN DIMENSIONS   |                                       |       | DRAWING SIZE    |            | THIRD ANGLE PROJECTION |            | DOCUMENT NUMBER: SD-87891-001<br>DOC TYPE: PSD<br>DOC PART: 000<br>SHEET NUMBER: 1 OF 4 |  |  |  |
| A3   |                                       |       |                 |            |                        |            |   |  |  |  |

|                |              |
|----------------|--------------|
| RELEASE STATUS | RELEASE DATE |
|----------------|--------------|

### CAP INFORMATION- CAP OPTION A



### CAP INFORMATION- CAP OPTION B



THIS DRAWING CONTAINS INFORMATION THAT IS PROPRIETARY TO MOLEX ELECTRONIC TECHNOLOGIES, LLC AND SHOULD NOT BE USED WITHOUT WRITTEN PERMISSION

|  |                                       |       |                 |  |                        |                |              |
|--|---------------------------------------|-------|-----------------|--|------------------------|----------------|--------------|
| 87891-0216/0523 ADD<br>2017/08/08<br>EC NO: 120412<br>DRWN: VLM<br>CHK'D:<br>REV APPR: ISHWARG | GENERAL TOLERANCES (UNLESS SPECIFIED) |       | DIMENSION UNITS | SCALE  |                        |                |              |
|  |                                       |       | MM              | NTS  |                        |                |              |
|  | 4 PLACES                              | ±     | MM              | INCH   |                        | DRWN BY        | DATE         |
|  | 3 PLACES                              | ±     |                 |  |                        | KCHO           | 2004/03/24   |
|  | 2 PLACES                              | ± 0.2 |                 |  |                        | CHK'D BY       | DATE         |
|  | 1 PLACES                              | ±     |                 |  |                        | PTLIM          | 2004/04/02   |
| 0 PLACES   | ±                                     |       |                 | APPR BY  | DATE                   |                |              |
|  |                                       |       |                 | SCLOW  | 2004/04/08             |                |              |
|  |                                       |       |                 | DRAWING SIZE   | THIRD ANGLE PROJECTION |                |              |
|  |                                       |       |                 | A3   |                        |                |              |
|  |                                       |       |                 | DRAFT WHERE APPLICABLE MUST REMAIN WITHIN DIMENSIONS |                        |                |              |
|  |                                       |       |                 | SERIES   | MATERIAL NUMBER        | CUSTOMER       |              |
|  |                                       |       |                 | 87891  | SEE TABLE              | GENERAL MARKET |              |
|  |                                       |       |                 | DOCUMENT NUMBER                                      | DOC TYPE               | DOC PART       | SHEET NUMBER |
|  |                                       |       |                 | SD-87891-001   | PSD                    | 000            | 2 OF 4       |

|                |              |
|----------------|--------------|
| RELEASE STATUS | RELEASE DATE |
|----------------|--------------|

| CKT SIZE | DIMENSION |       |
|----------|-----------|-------|
|          | A         | B     |
| 02       | 5.08      | 2.54  |
| 03       | 7.62      | 5.08  |
| 04       | 10.16     | 7.62  |
| 05       | 12.70     | 10.16 |
| 06       | 15.24     | 12.70 |
| 07       | 17.78     | 15.24 |
| 08       | 20.32     | 17.78 |
| 09       | 22.86     | 20.32 |
| 10       | 25.40     | 22.86 |
| 11       | 27.94     | 25.40 |
| 12       | 30.48     | 27.94 |
| 13       | 33.02     | 30.48 |
| 14       | 35.56     | 33.02 |
| 15       | 38.10     | 35.56 |
| 16       | 40.64     | 38.10 |
| 17       | 43.18     | 40.64 |
| 18       | 45.72     | 43.18 |
| 19       | 48.26     | 45.72 |
| 20       | 50.80     | 48.26 |
| 21       | 53.34     | 50.80 |
| 22       | 55.88     | 53.34 |
| 23       | 58.42     | 55.88 |
| 24       | 60.96     | 58.42 |
| 25       | 63.50     | 60.96 |
| 26       | 66.04     | 63.50 |
| 27       | 68.58     | 66.04 |
| 28       | 71.12     | 68.58 |
| 29       | 73.66     | 71.12 |
| 30       | 76.20     | 73.66 |
| 31       | 78.74     | 76.20 |
| 32       | 81.28     | 78.74 |
| 33       | 83.82     | 81.28 |
| 34       | 86.36     | 83.82 |
| 35       | 88.90     | 86.36 |
| 36       | 91.44     | 88.90 |
| 37       | 93.98     | 91.44 |
| 38       | 96.52     | 93.98 |
| 39       | 99.06     | 96.52 |
| 40       | 101.60    | 99.06 |

| ASSY W/CAP IN T&R | PART NO. IN TRAY PACKAGING | PART NO. IN BULK PACKAGING | CKT SIZE | VOID PIN | KINK PIN | (G)   | DIMENSION |            |              | PLATING TYPE | CAP OPTION | REMARKS                               |
|-------------------|----------------------------|----------------------------|----------|----------|----------|-------|-----------|------------|--------------|--------------|------------|---------------------------------------|
|                   |                            |                            |          |          |          |       | OAL       | MATING END | SOLDIER TAIL |              |            |                                       |
|                   |                            |                            |          |          |          |       | (F)       | M          | P            |              |            |                                       |
| -                 | 87891-0108                 | -                          | 01       | -        | -        | -     | 10.80     | 5.08       | 3.23         | 5            | -          |                                       |
| -                 | 87891-0209                 | -                          | 02       | -        | -        | -     | 10.80     | 5.08       | 3.23         | 5            | -          |                                       |
| -                 | 87891-0210                 | -                          | 02       | -        | -        | -     | 31.00     | 25.54      | 2.97         | 5            | -          |                                       |
| -                 | 87891-0216                 | -                          | 02       | -        | -        | -     | 7.29      | 2.40       | 2.40         | 5            | -          |                                       |
| -                 | 87891-0307                 | -                          | 03       | -        | -        | -     | 22.73     | 18.74      | 1.50         | 5            | -          |                                       |
| 87891-0311        | -                          | -                          | 03       | -        | -        | 12.34 | 11.30     | 5.84       | 2.97         | 5            | B          | REFER RPK-87891-0311 (FOR 87891-0311) |
| -                 | 87891-0402                 | -                          | 04       | 2        | -        | -     | 10.80     | 5.89       | 2.41         | 5            | -          |                                       |
| -                 | -                          | -                          | -        | -        | -        | -     | -         | -          | -            | -            | -          |                                       |
| -                 | 87891-0408                 | -                          | 04       | -        | -        | -     | 31.00     | 25.54      | 2.97         | 5            | -          |                                       |
| -                 | 87891-0409                 | -                          | 04       | -        | -        | -     | 12.14     | 6.75       | 2.90         | 5            | -          |                                       |
| 87891-0417        | -                          | -                          | 04       | -        | -        | 16.31 | 15.11     | 9.01       | 3.61         | 5            | A          |                                       |
| -                 | 87891-0432                 | -                          | 04       | -        | -        | -     | 18.03     | 13.54      | 2.00         | 5            | -          |                                       |
| -                 | 87891-0501                 | -                          | 05       | -        | -        | -     | 13.62     | 8.08       | 3.05         | 5            | -          |                                       |
| -                 | 87891-0502                 | -                          | 05       | 2        | -        | -     | 10.80     | 5.89       | 2.41         | 5            | -          |                                       |
| -                 | 87891-0503                 | -                          | 05       | 2        | -        | -     | 45.00     | 13.51      | 29.00        | 5            | -          |                                       |
| -                 | 87891-0504                 | -                          | 05       | 2        | -        | -     | 45.00     | 13.51      | 29.00        | 3            | -          |                                       |
| -                 | 87891-0507                 | -                          | 05       | 4        | -        | -     | 10.92     | 5.84       | 2.59         | 3            | -          |                                       |
| -                 | -                          | 87891-0508                 | 05       | 2,4      | -        | -     | 11.38     | 5.84       | 3.05         | 5            | -          |                                       |
| -                 | 87891-0522                 | -                          | 05       | 2&4      | -        | -     | 19.49     | 13.00      | 4.00         | 5            | -          |                                       |
| -                 | 87891-0517                 | -                          | 05       | -        | -        | -     | 23.62     | 17.32      | 3.81         | 5            | -          |                                       |
| -                 | 87891-0523                 | -                          | 05       | -        | -        | -     | 7.29      | 2.40       | 2.40         | 5            | -          |                                       |
| -                 | 87891-0607                 | -                          | 06       | -        | -        | -     | 13.75     | 8.08       | 3.18         | 5            | -          |                                       |
| -                 | 87891-0608                 | -                          | 06       | -        | -        | -     | 18.03     | 13.54      | 2.00         | 5            | -          |                                       |
| -                 | 87891-0609                 | -                          | 06       | -        | -        | -     | 28.30     | 22.16      | 3.65         | 5            | -          |                                       |

THIS DRAWING CONTAINS INFORMATION THAT IS PROPRIETARY TO MOLEX ELECTRONIC TECHNOLOGIES, LLC AND SHOULD NOT BE USED WITHOUT WRITTEN PERMISSION


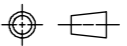
|  |                                       |         |                 |            |            |  |                          |  |  |  |  |  |   |  |  |   |  |  |   |  |
|--|---------------------------------------|---------|-----------------|------------|------------|--|--------------------------|--|--|--|--|--|---|--|--|---|--|--|---|--|
| 87891-0216/0523 ADD<br>2017/08/08<br>EC NO: 120412<br>DRWN: VLM<br>CHK'D:<br>REV APPR: ISHWARG | GENERAL TOLERANCES (UNLESS SPECIFIED) |         | DIMENSION UNITS |            | SCALE      |  | <b>molex®</b>            |  |  |  |  |  |   |  |  |   |  |  |   |  |
|  |                                       |         | MM INCH         |            | MM NTS     |  |                          |  |  | CUSTOM HEADER<br>2.54MM PITCH, SINGLE ROW SINGLE WAFER, T/H HEADER |  |  |   |  |  |   |  |  |   |  |
|  | 4 PLACES ± ±                          |         | DRWN BY         |            | DATE       |  | PRODUCT CUSTOMER DRAWING |  |  |  |  |  |   |  |  |   |  |  |   |  |
|  | 3 PLACES ± ±                          |         | KCHO            |            | 2004/03/24 |  |                          |  |  |  |  |  | SERIES MATERIAL NUMBER CUSTOMER<br>87891 SEE TABLE GENERAL MARKET |  |  |   |  |  |   |  |
|  | 2 PLACES ± 0.2 ±                      |         | CHK'D BY        |            | DATE       |  |                          |  |  |  |  |  |   |  |  | DOCUMENT NUMBER DOC TYPE DOC PART SHEET NUMBER<br>SD-87891-001 PSD 000 3 OF 4 |  |  |   |  |
|  | 1 PLACES ± ±                          |         | PTLIM           |            | 2004/04/02 |  |                          |  |  |  |  |  |   |  |  |   |  |  | DRAWING SIZE THIRD ANGLE PROJECTION<br>A3 |  |
| 0 PLACES ± ±   |                                       | APPR BY |                 | DATE       |            | DRAFT WHERE APPLICABLE MUST REMAIN WITHIN DIMENSIONS |                          |  |  |  |  |  |   |  |  |   |  |  |   |  |
| ANGULAR TOL = 3.0  |                                       | SCLOW   |                 | 2004/04/08 |            |  |                          |  |  |  |  |  |   |  |  |   |  |  |   |  |

|                |              |
|----------------|--------------|
| RELEASE STATUS | RELEASE DATE |
|----------------|--------------|

9 8 7 6 5 4 3 2 1

| ASSY WITHOUT CAP IN TUBE | ASSY W/CAP IN T&R | PART NO. IN TRAY PACKAGING | PART NO. IN BULK PACKAGING | CKT SIZE | VOID PIN | KINK PIN | (G)   | DIMENSION |            |              | PLATING TYPE | CAP OPTION |
|--------------------------|-------------------|----------------------------|----------------------------|----------|----------|----------|-------|-----------|------------|--------------|--------------|------------|
|                          |                   |                            |                            |          |          |          |       | OAL       | MATING END | SOLDIER TAIL |              |            |
|                          |                   |                            |                            |          |          |          |       | (F)       | M          | P            |              |            |
|                          | -                 | 87891-0602                 | -                          | 06       | -        | -        | -     | 12.80     | 8.00       | 2.31         | 5            | -          |
|                          | -                 | 87891-0751                 | -                          | 07       | -        | -        | -     | 13.74     | 8.00       | 3.25         | 5            | -          |
|                          | -                 | 87891-0851                 | -                          | 08       | -        | -        | -     | 13.74     | 8.00       | 3.25         | 5            | -          |
|                          | -                 | -                          | 87891-2601                 | 26       | 4,7,17   | -        | -     | 11.13     | 5.59       | 3.05         | 3            | -          |
|                          | 87891-1817        | -                          | -                          | 18       | -        | -        | 18.36 | 17.20     | 13.21      | 1.50         | 5            | A          |
|                          | 87891-1818        | -                          | -                          | 18       | -        | -        | 18.36 | 17.20     | 13.21      | 1.50         | 3            | A          |
|                          | 87891-2817        | -                          | -                          | 28       | -        | -        | 18.36 | 17.20     | 13.21      | 1.50         | 5            | A          |
|                          | 87891-2818        | -                          | -                          | 28       | -        | -        | 18.36 | 17.20     | 13.21      | 1.50         | 3            | A          |
| 87891-4007               | -                 | -                          | -                          | 40       | -        | -        | -     | 12.14     | 5.84       | 3.81         | 3            | -          |

THIS DRAWING CONTAINS INFORMATION THAT IS PROPRIETARY TO MOLEX ELECTRONIC TECHNOLOGIES, LLC AND SHOULD NOT BE USED WITHOUT WRITTEN PERMISSION

|  |            |                                       |      |                   |            |  |  |   |  |  |  |  |  |  |  |   |  |  |  |  |  |  |  |
|--|------------|---------------------------------------|------|-------------------|------------|--|--|---|--|--|--|--|--|--|--|---|--|--|--|--|--|--|--|
| 87891-0216/0523 ADD<br>EC NO: 120412<br>DRWN: VLM<br>CHK'D:<br>REV APPR: ISHWARG | 2017/08/08 | GENERAL TOLERANCES (UNLESS SPECIFIED) |      | DIMENSION UNITS   |            | SCALE  |  |  |  |  |  |  |  |  |  |   |  |  |  |  |  |  |  |
|  | 2017/10/24 | MM                                    | INCH | MM                | NTS        | DRWN BY DATE   |  |   |  |  |  | CUSTOM HEADER<br>2.54MM PITCH, SINGLE ROW SINGLE WAFER, T/H HEADER<br><br>PRODUCT CUSTOMER DRAWING |  |  |  |   |  |  |  |  |  |  |  |
|  |            | 4 PLACES ±                            | ±    | KCHO              | 2004/03/24 | CHK'D BY DATE  |  | SERIES MATERIAL NUMBER CUSTOMER<br>87891 SEE TABLE GENERAL MARKET                     |  |  |  |  |  |  |  |   |  |  |  |  |  |  |  |
|  |            | 3 PLACES ±                            | ±    | PTLIM             | 2004/04/02 | APPR BY DATE   |  |   |  |  |  |  |  |  |  | DOCUMENT NUMBER DOC TYPE DOC PART SHEET NUMBER<br>SD-87891-001 PSD 000 4 OF 4 |  |  |  |  |  |  |  |
|  |            | 2 PLACES ± 0.2                        | ±    | SCLOW             | 2004/04/08 | DRAWING SIZE THIRD ANGLE PROJECTION                  |  |   |  |  |  |  |  |  |  |   |  |  |  | A3  |  |  |  |
|  |            | 1 PLACES ±                            | ±    | ANGULAR TOL = 3.0 |            | DRAFT WHERE APPLICABLE MUST REMAIN WITHIN DIMENSIONS |  |   |  |  |  |  |  |  |  |   |  |  |  |  |  |  |  |
|  |            | 0 PLACES ±                            | ±    |                   |            |  |  |   |  |  |  |  |  |  |  |   |  |  |  |  |  |  |  |
|  |            |                                       |      |                   |            |  |  |   |  |  |  |  |  |  |  |   |  |  |  |  |  |  |  |
|  |            |                                       |      |                   |            |  |  |   |  |  |  |  |  |  |  |   |  |  |  |  |  |  |  |
|  |            |                                       |      |                   |            |  |  |   |  |  |  |  |  |  |  |   |  |  |  |  |  |  |  |
|  |            |                                       |      |                   |            |  |  |   |  |  |  |  |  |  |  |   |  |  |  |  |  |  |  |
|  |            |                                       |      |                   |            |  |  |   |  |  |  |  |  |  |  |   |  |  |  |  |  |  |  |

|                |              |
|----------------|--------------|
| RELEASE STATUS | RELEASE DATE |
|----------------|--------------|

9 8 7 6 5 4 3 2 1

FORMA: Met-lega-master-tp-prod-A3  
 REVISION: C  
 DATE: 2016/02/04

## X-ON Electronics

Largest Supplier of Electrical and Electronic Components

*Click to view similar products for [Headers & Wire Housings](#) category:*

*Click to view products by [Molex](#) manufacturer:*

Other Similar products are found below :

[95000-104TRLF](#) [10135584-644402LF](#) [DF62W-EP2022PCA](#) [95000-106TRLF](#) [DF62W-2022SCA](#) [DF62W-EP2022PC](#) [2203348](#) [DF62W-2022SC](#) [1084018](#) [1029039](#) [1084017](#) [802-10-012-10-002000](#) [1112640](#) [1112639](#) [000-34000](#) [0009482033](#) [0009507031](#) [57102-S06-03LF](#) [57202-S52-04LF](#) [PCN6-15S-2.5E](#) [0039019024](#) [58102-G61-06LF](#) [582553-1](#) [0009485154](#) [0009508121](#) [0022285053](#) [0050291907](#) [018731A](#) [LY20-4P-DT1-P1E-BR](#) [02.125.8002.8](#) [60101931](#) [60598-1 \(Cut Strip\)](#) [M1625-3R/100](#) [61062-3](#) [61082-181009](#) [636-1427](#) [638009-1](#) [641938-9](#) [641991-4](#) [644168-1](#) [647662-1](#) [65039-019ELF](#) [65817-002LF](#) [65817-015LF](#) [65863-015LF](#) [66207-023LF](#) [67016-026LF](#) [67046-001LF](#) [67095-007LF](#) [67230-005LF](#)