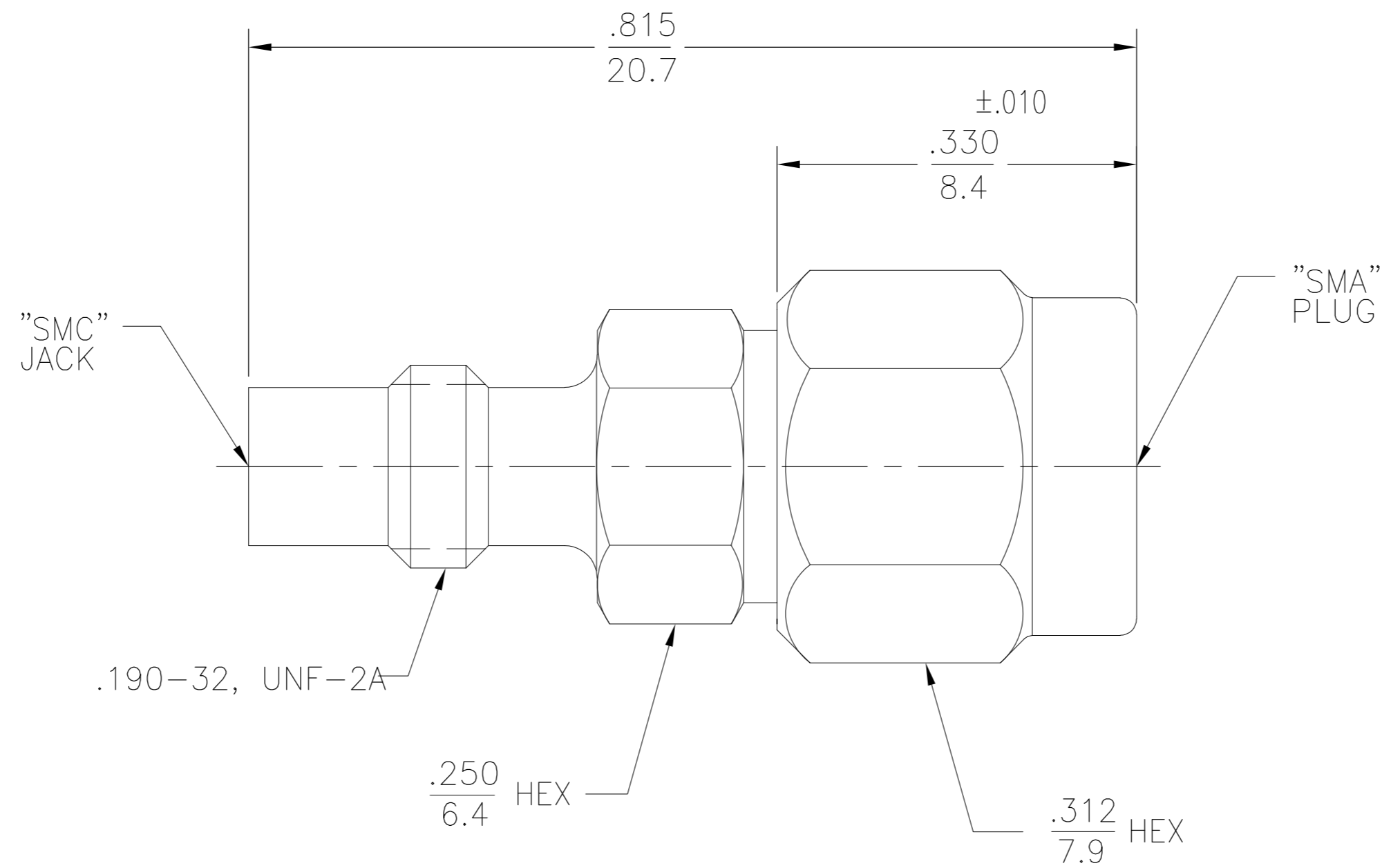


THIS DRAWING IS UNPUBLISHED. RELEASED FOR PUBLICATION
 © COPYRIGHT BY TYCO ELECTRONICS CORPORATION. ALL INTERNATIONAL RIGHTS RESERVED.

| | | | | | | | |
|-----|------|-----------|-----|-----------------------|----------|-----|------|
| LOC | DIST | REVISIONS | | | | | |
| AJ | 00 | P | LTR | DESCRIPTION | DATE | DWN | APVD |
| | | B | | REV PER ECO 08-026436 | 3DEC2008 | DW | JL |



| | | |
|----------------------|--|----------------------------|
| HOUSING COUPLING NUT | STAINLESS STEEL PER ASTM-A484 AND ASTM-A582, TYPE 303 | PASSIVATE PER QQ-P-35 |
| DIELECTRIC | PTFE FLUOROCARBON PER ASTM-D-1457 | N/A |
| CENTER CONTACT | BRASS PER ASTM-B-16 | GOLD PLATE PER MIL-G-45204 |
| RETAINING RING | BERYLLIUM COPPER PER ASTM-B-194, ALLOY C17200, CONDITION H | N/A |
| GASKET | SILICONE RUBBER PER ZZ-R-765 | N/A |
| COMPONENT | MATERIAL | FINISH |

| | | | | | | | | |
|---|--------|------------------|-------|---------|---|--|------------|---------------|
| THIS DRAWING IS A CONTROLLED DOCUMENT. | | DWN | R.B | 6-28-77 | Tyco Electronics Corporation Harrisburg, PA 17105-3608 | | | |
| DIMENSIONS: INCHES | | CHK | KWW | 6-28-77 | | | | |
| TOLERANCES UNLESS OTHERWISE SPECIFIED: | | APVD | RMF | 6-28-77 | | | | |
| 0 PLC ± - 1 PLC ± - 2 PLC ± - 3 PLC ± .005 4 PLC ± - ANGLES ± 1° | | PRODUCT SPEC | | NAME | | SMA PLUG TO SMC JACK ADAPTER (5082-2241-00) | | |
| MATERIAL | FINISH | WEIGHT | - | - | SIZE | CAGE CODE | DRAWING NO | RESTRICTED TO |
| - | - | CUSTOMER DRAWING | SCALE | 8:1 | SHEET | 1 of 1 | REV | B |

1060274-1

X-ON Electronics

Largest Supplier of Electrical and Electronic Components

Click to view similar products for [RF Adapters - Between Series](#) category:

Click to view products by [TE Connectivity](#) manufacturer:

Other Similar products are found below :

[R191203007](#) [R191209000](#) [R191212000](#) [R191215000](#) [R191301000](#) [R191325000](#) [R191389200](#) [R191403000](#) [R191405000](#) [R191416000](#)
[R191419000](#) [R191421000](#) [R191424000](#) [R191445000](#) [R191511000](#) [R191552000](#) [R191720000](#) [R191722000](#) [R191733000](#) [R191759000](#)
[R191841001W](#) [R191911000](#) [R191912000](#) [R192417010](#) [R921390000](#) [ADBJ20-E1-BJ379](#) [ADM2](#) [ADPL75-A1-PL75](#) [ADPL75-E1-UBJ20](#)
[9317505](#) [931RPBUFLP](#) [AD130](#) [ADBJ20-E1-PL74](#) [ADBJ20-E2-BJ79](#) [ADBJ77-A1PL3155](#) [ADBJ77-E1-UPL20](#) [ADBJ77-E2-PL20](#) [242215](#)
[242228](#) [R125680000W](#) [R191117000](#) [R191123000](#) [R191.147.000](#) [R191303000](#) [R191313000](#) [R191315000](#) [R191316700](#) [R191327000](#)
[R191331000](#) [R191333000](#)