

CONFIDENTIAL INFORMATION  
 THE INFORMATION CONTAINED IN THIS DOCUMENT IS THE PROPERTY OF LUMEX INC. EXCEPT AS SPECIFICALLY AUTHORIZED IN WRITING BY LUMEX INC., THE HOLDER OF THIS DOCUMENT SHALL KEEP ALL INFORMATION CONTAINED HEREIN CONFIDENTIAL AND SHALL PROTECT SAME IN WHOLE OR IN PART FROM DISCLOSURE AND DISSEMINATION TO ALL THIRD PARTIES.

0.50" CHARACTER HEIGHT, 3 1/2 DIGIT LCD GLASS, TN, TRANSPARENT, 40 PINS.

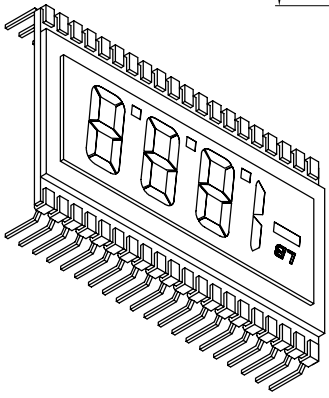
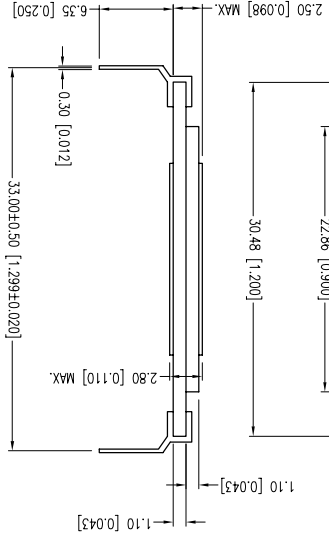
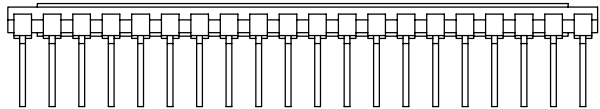
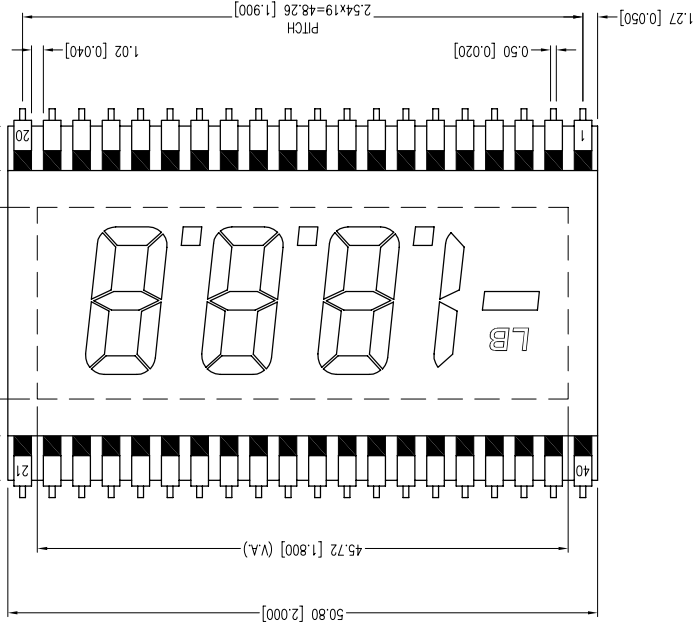
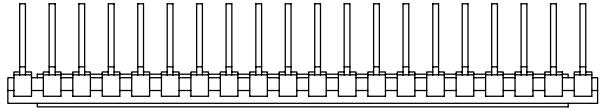
\*\*THE SPECIFICATIONS MAY CHANGE AT ANY TIME WITHOUT NOTICE DUE TO NEW MATERIALS OR PRODUCT IMPROVEMENT\*\*

DATE: 05.29.02  
 DRAWN BY: JC  
 PAGE: 1 OF 1  
 CHKD BY: --  
 SCALE: NTS  
 APROVD BY: YA

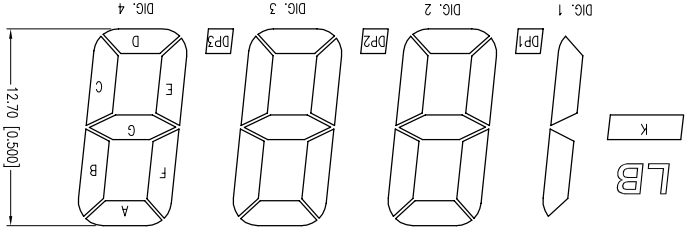
UNIT: mm [INCH]

UNCONTROLLED DOCUMENT

\*UNLESS OTHERWISE SPECIFIED TOLERANCES PER DECIMAL PRECISION ARE: X=±1 (±0.039), Y=±0.5 (±0.020), Z=±0.25 (±0.010), XXX=±0.127 (±0.005), LEAD SIZE=±0.05 (±0.002), LEAD LENGTH=±0.75 (±0.030), MIN= -0.00, DECIMAL PRECISION MAX= +0.00, DECIMAL PRECISION



CHARACTER DETAIL



PIN NO.	1	2	3	4	5	6	7	8	9	10	11	12	13	14	15	16	17	18	19	20	21	22	23	24	25	26	27	28	29	30	31	32	33	34	35	36	37	38	39	40
SEGMENT	COM	K	IBC	N/C	N/C	N/C	N/C	DP1	2E	2D	1A	1B	1C	1D	1E	1F	1G	1H	1I	1J	1K	1L	1M	1N	1O	1P	1Q	1R	1S	1T	1U	1V	1W	1X	1Y	1Z	1AA	1AB	1AC	1AD

CHARACTERISTICS	VALUE
FLUID TYPE	TN
BACKGROUND COLOR	GRAY
VIEWING DIRECTION	6:00
DISPLAY MODE	TRANSPARENT
OPERATING VOLTAGE	5.0V A.C.
OPERATING TEMP.	0°C TO +50°C
STORAGE TEMP.	-20°C TO +70°C
DRAWING METHOD	STATIC
CONNECTION TYPE	40 PINS

REV.	DATE	E.C.N. NUMBER AND REVISION COMMENTS
A	02.07.07	E.C.N. #11148
B	03.08.11	E.C.N. #10BRDR. & REDRAWN.

PART NUMBER	REV.
LCD-S3X1C50TF/B	B

## X-ON Electronics

Largest Supplier of Electrical and Electronic Components

*Click to view similar products for [LCD Character Display Modules & Accessories](#) category:*

*Click to view products by [Lumex](#) manufacturer:*

Other Similar products are found below :

[HG9Z-AC501](#) [HG9Z-SCI25B](#) [HG9Z-XC300](#) [LCD-S401M14TF](#) [LCM-S01602DTRA-3](#) [HDM16216L-S-L30S](#) [HG9Z-XC13A](#) [HG9Z-XC213](#)  
[C216L01YBW00](#) [LCM-S01602DSF/Q](#) [EA FL-10P](#) [MDLS-161612-G-LV-LED4G](#) [MDLS24265LVLED04](#) [MDLS-20265-LV-GLED4G](#)  
[NHD-0420AZ-FSW-GBW-33V33-0](#) [PC2004LRS-AWB-B-Q](#) [CM1644-SGR1](#) [C216W01BBW00](#) [C420W01NBW00](#) [C220W04NBW00](#)  
[C220L01YBWR00](#) [C216N04YBW00](#) [G64128W23NBW00](#) [G64128W18NBW00](#) [G64128Z24UBW00](#) [G64128W20NBW00](#)  
[G64128W20BBW00](#) [G64128W22BBW00](#) [G64128W25NBW00](#) [162A BC BW](#) [LCM-S02002DSM-Y](#) [MOP-AL202C-BYFY-25E-3IN](#) [NHD-](#)  
[0416BZ-FL-GBW-SED](#) [162D BA BC](#) [MDLS-20464-LV-GLED4G](#) [MDLS-40466-G-HV](#) [HDM24216H-2-P9XS](#) [MIKROE-4169](#) [MDLS-](#)  
[82603-LV-G](#) [MDLS-16263-C-LV-G-LED01G-FFC](#) [VIM-404-DP-RC-S-HV](#) [LCD-S401M16KR](#) [LED4-20265](#) [NHD-0440WH-ATFH-JT#](#)  
[EA 9907-DIP](#) [GLK12232A25SMUSBWBVSE](#) [GLK19264A-7T-1U-USB-FGW](#) [GLK19264A-7T-1U-USB-WB](#)  
[GLK12232A25SMUSBGWVSE](#) [NHD-0212WH-AYGH-JT#](#)