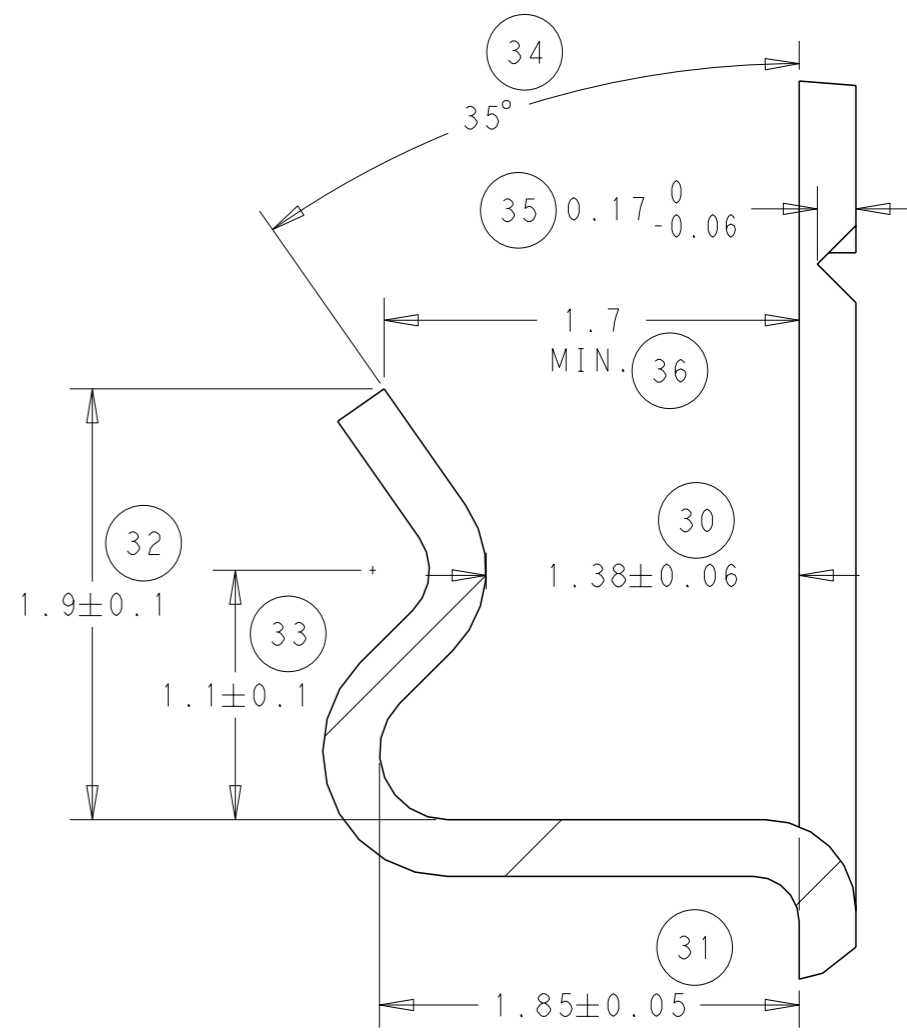
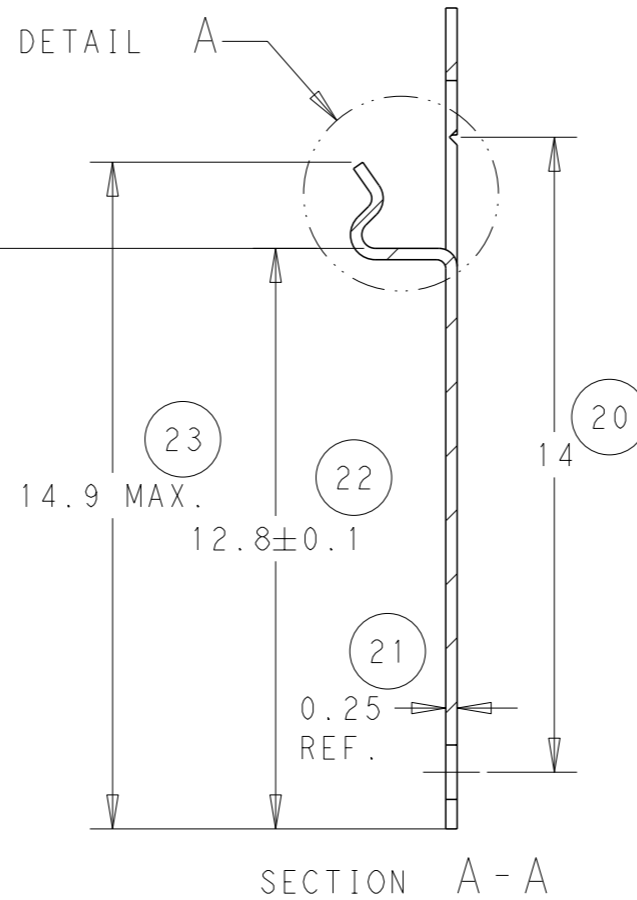
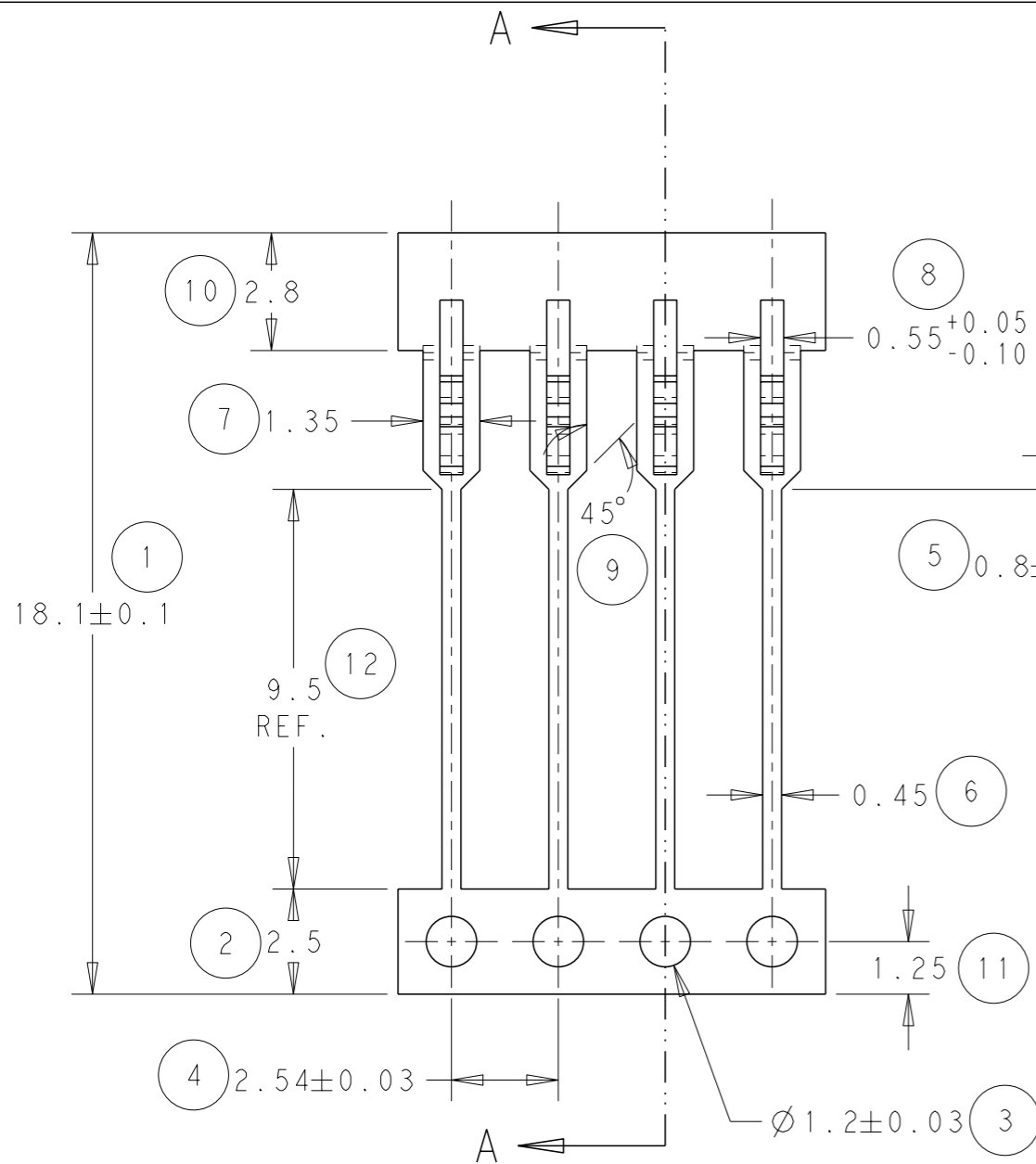
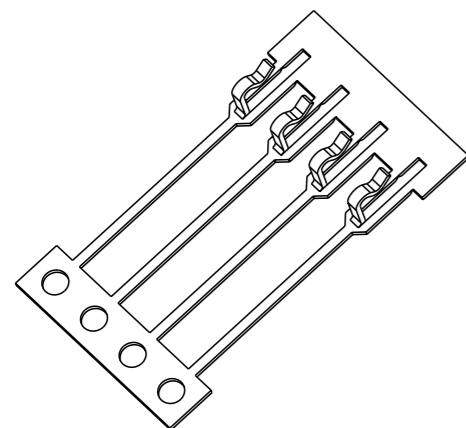


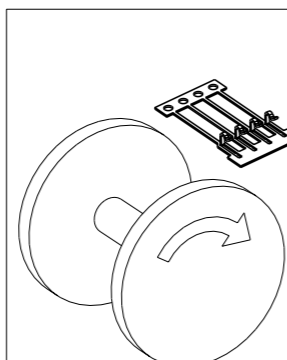
LOC	DIST	REVISIONS				
P	LTR	DESCRIPTION	DATE	DWN	APVD	
B	-	E	ECR-11-019441	22/09/11	JB	MG



NOTE  
 BOWING: AFTER UPPER TIE BAR REMOVAL - 1.5mm MAX. FOR 500mm  
 PITCH: AFTER UPPER TIE BAR REMOVAL - 2.54 ± 0.127



SCALE 3:1




DIRECTION OF TOP OF REEL

DIRECTION "0"	CONTACTS DOWN
DIRECTION "1"	CONTACTS UPWARDS
DIRECTION	

THIS DRAWING IS A CONTROLLED DOCUMENT.

DIMENSIONS:	TOLERANCES UNLESS OTHERWISE SPECIFIED:
mm	0 PLC ±-
	1 PLC ±-
	2 PLC ±0.05
	3 PLC ±-
	4 PLC ±-
	ANGLES ±0.5
MATERIAL	FINISH -
SEE ABOVE	

0	Ni & Sn	1544296-1
REELING	FINISH	PART NUMBER
DWN J. BRIGHT 22/09/11	 TE Connectivity NAME SIL LEADFRAME	
CHK M. GREENER 22/09/11		
APVD D. PENNINGTON 22/09/11		
PRODUCT SPEC		
APPLICATION SPEC	SIZE A3	CAGE CODE 00779
WEIGHT -	DRAWING NO C-1544296	RESTRICTED TO -
CUSTOMER DRAWING	SCALE NTS	SHEET 1 OF 1 REV E

## X-ON Electronics

Largest Supplier of Electrical and Electronic Components

*Click to view similar products for [Automotive Connectors](#) category:*

*Click to view products by [TE Connectivity](#) manufacturer:*

Other Similar products are found below :

[003-018-000](#) [600858](#) [60403001](#) [60993906-B](#) [60993913-B](#) [629515004020001](#) [M902-2131](#) [M902-2161](#) [M902-2344](#) [72.330.1035.1](#)  
[73.353.4028.0](#) [F118010](#) [F119300-B](#) [F132210](#) [F132210-B](#) [F166900](#) [F180100](#) [F258300](#) [F258300-B](#) [F294300-B](#) [F339100](#) [F339700](#) [F358300-](#)  
[B](#) [F374110](#) [F407400](#) [F412210](#) [F427600](#) [F444110](#) [F487000](#) [F495100-B](#) [F500900-B](#) [F509500B-B](#) [770444-1](#) [776880-1](#) [827153-1](#) [881735-1](#)  
[8N1515-32-24P](#) [9-1326727-8](#) [9-1326729-8](#) [925467-1](#) [925474-1](#) [928905-1](#) [936398-2](#) [964562-1](#) [964562-4](#) [964731-2](#) [965051-1](#) [968782-1](#)  
[GT17SA-8DS-HU](#) [GT17VS-10DP-5.2CF](#)