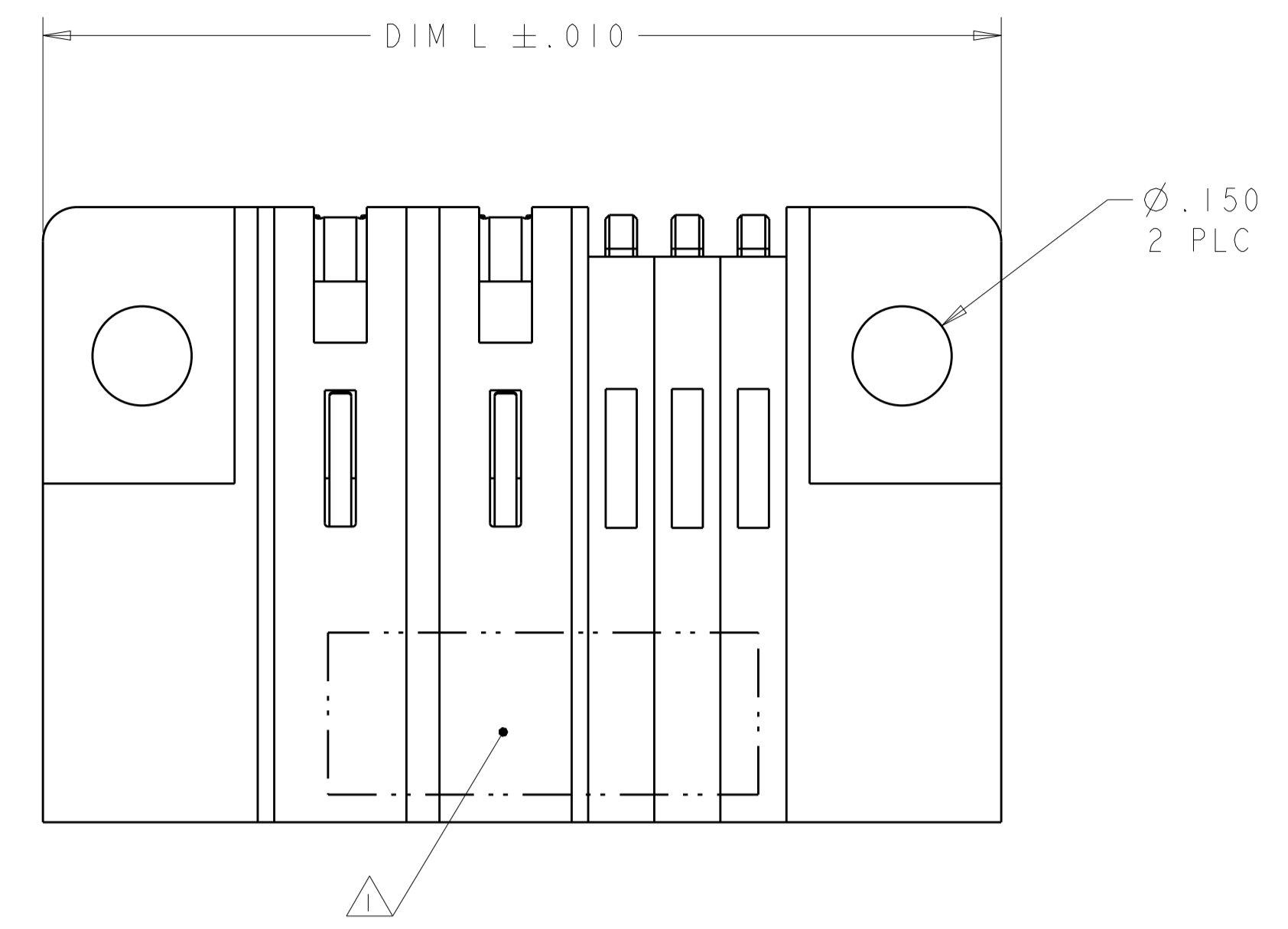
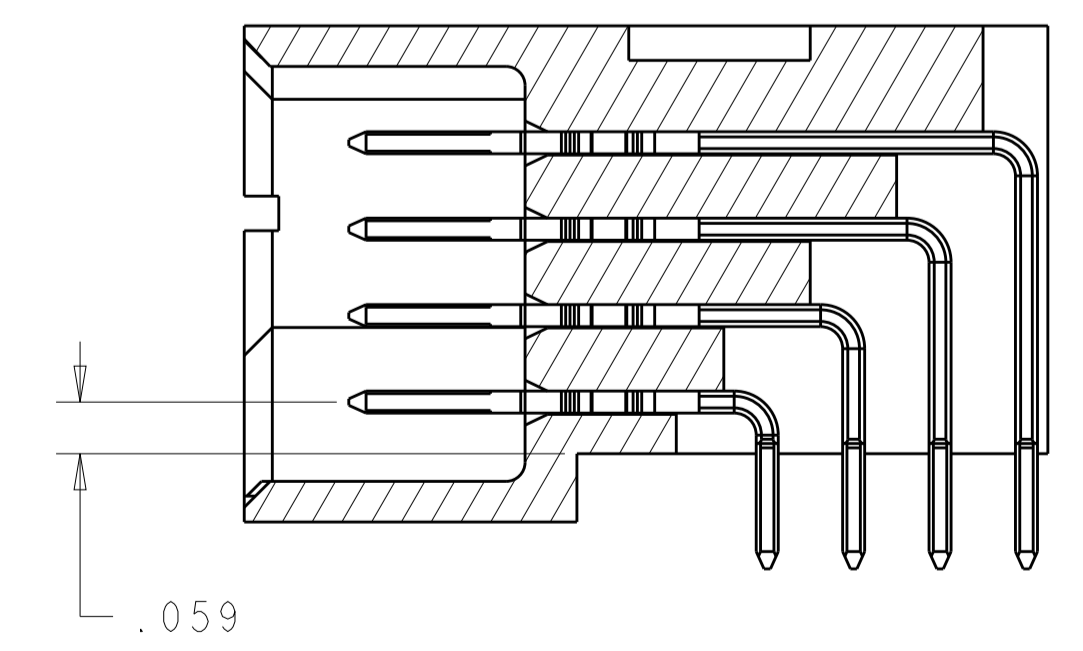
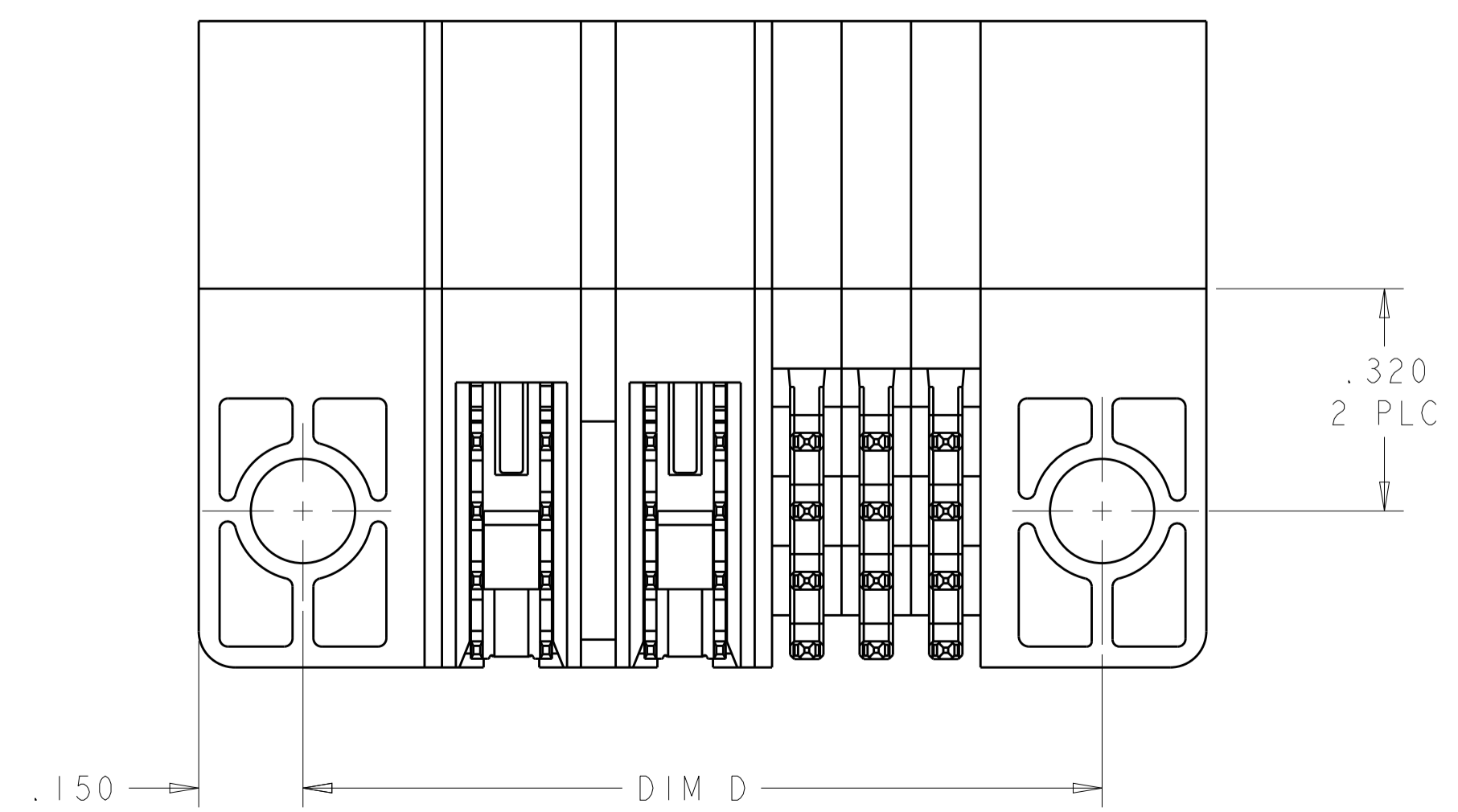
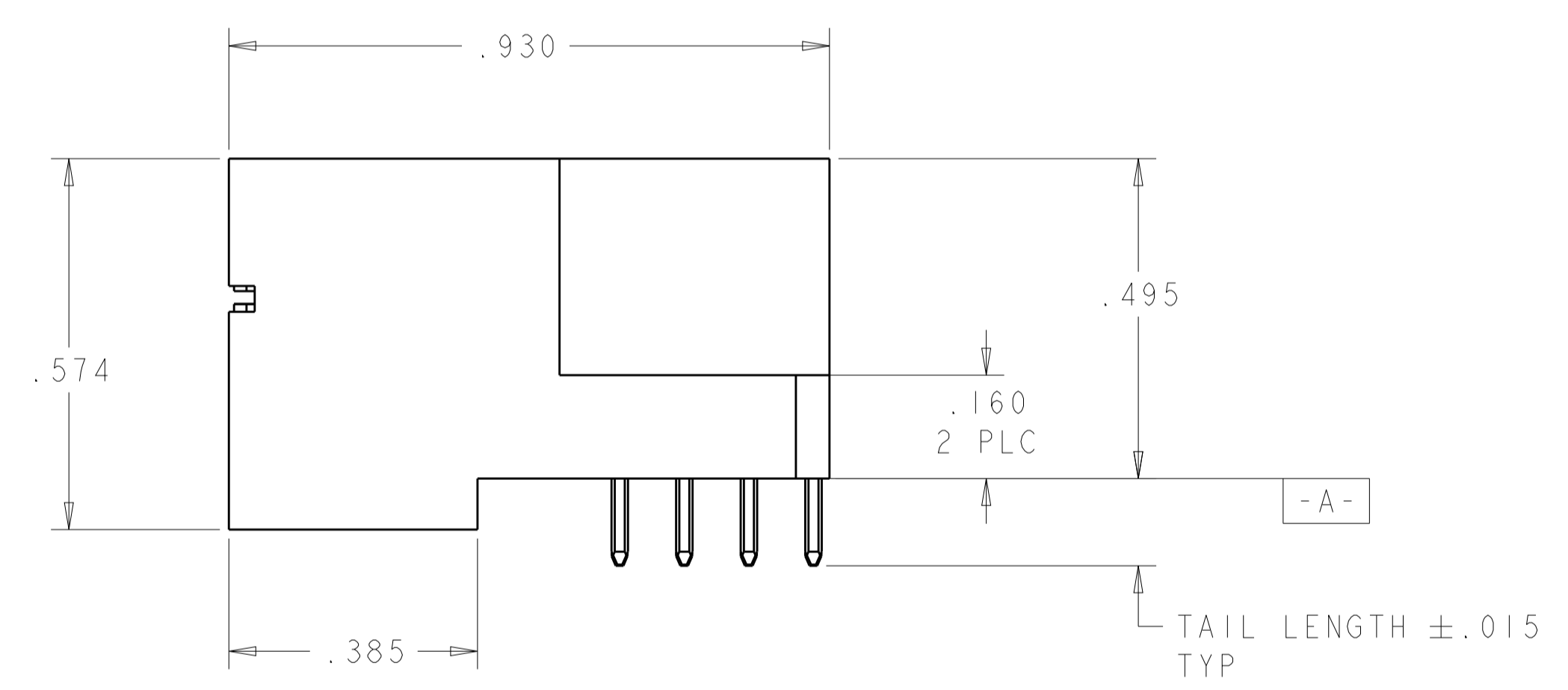
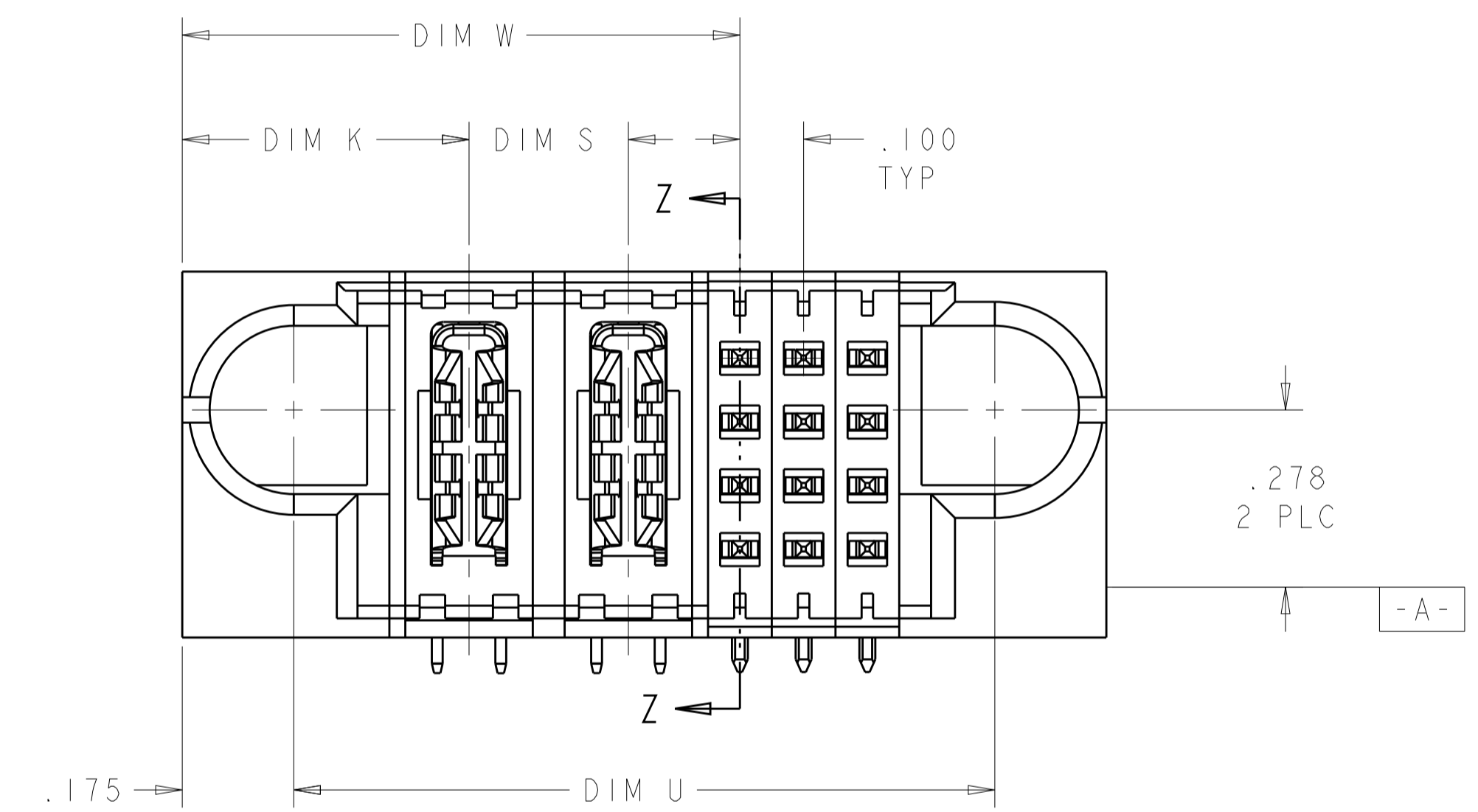


LOC	DIST	REVISIONS					
GP	00	P	LTN	DESCRIPTION	DATE	DWN	APVD
		B3		ADDED NEW DASH NUMBER -8	12NOV2009	HL	SY
		B5		REV PER ECR-10-001570	26FEB2010	HL	SY



- 1 "AMP", PART NUMBER, AND DATECODE TO BE MARKED IN AREA SHOWN. PARTS UNDER 2.00 LONG MAY BE MARKED ON BOTH SIDES.
- 2 MATERIAL: HOUSING - GLASS FILLED HIGH TEMP THERMO PLASTIC, UL94 V-0  
SIGNAL CONTACT - COPPER ALLOY  
POWER CONTACT - HIGH CONDUCTIVITY COPPER ALLOY
- 3 CONTACT PLATING: NOBLE METAL PLATING ON CONTACT FUNCTIONAL AREA OF POWER AND SIGNAL CONTACTS
- 4 MECHANICAL CONNECTOR KEEP OUT ZONE.
- 5 DATUM AND BASIC DIMENSIONS ESTABLISHED BY CUSTOMER.
- 6 PCB - HOLE DIAMETERS ARE FINISHED HOLE SIZE.
- 7 PCB - .0453±.0010 DRILLED HOLES PLATED WITH .0003 MIN Sn OVER .001 TO .003 Cu PLATING TO ACHIEVE A .040 DIA HOLE.



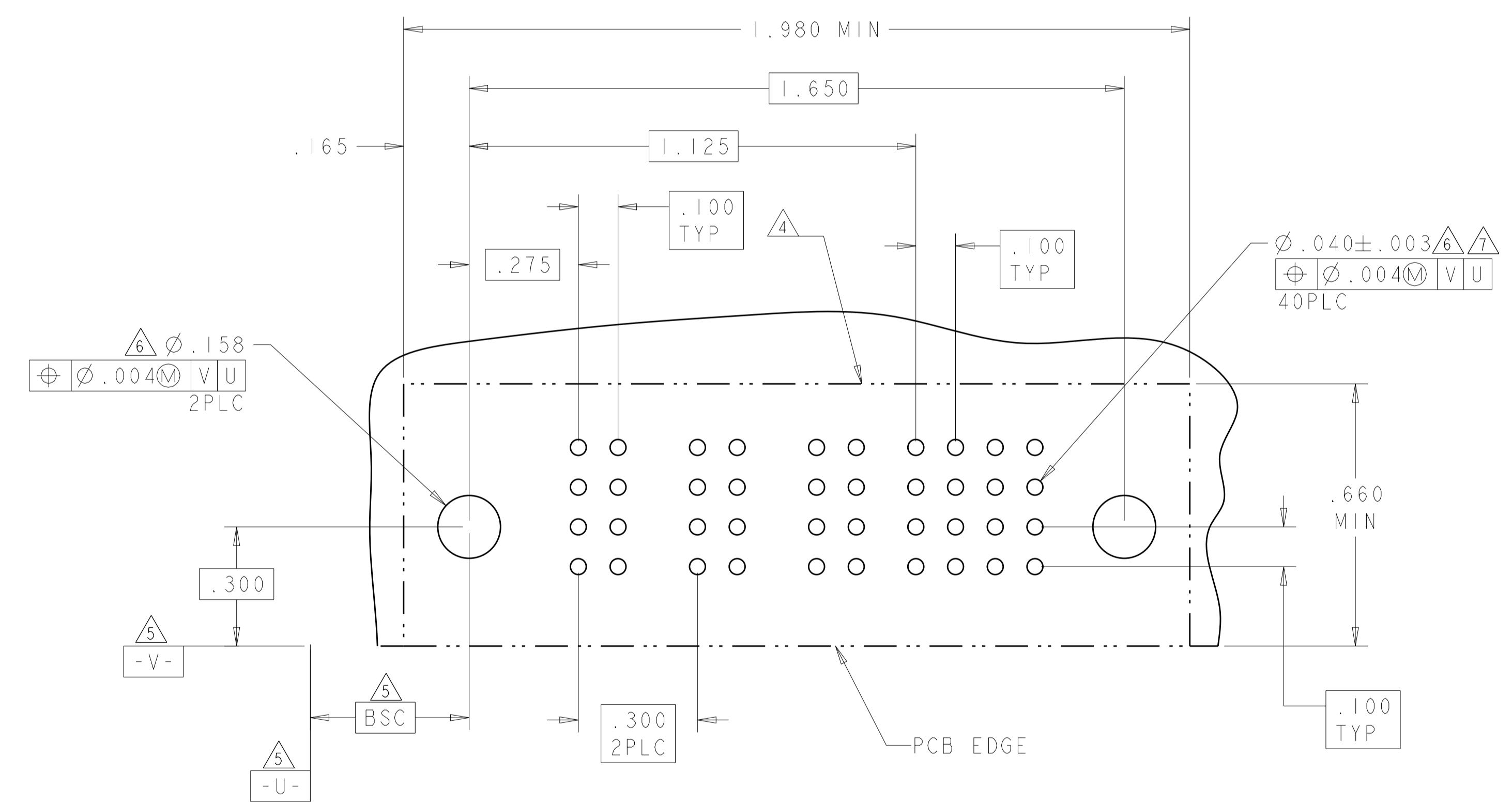
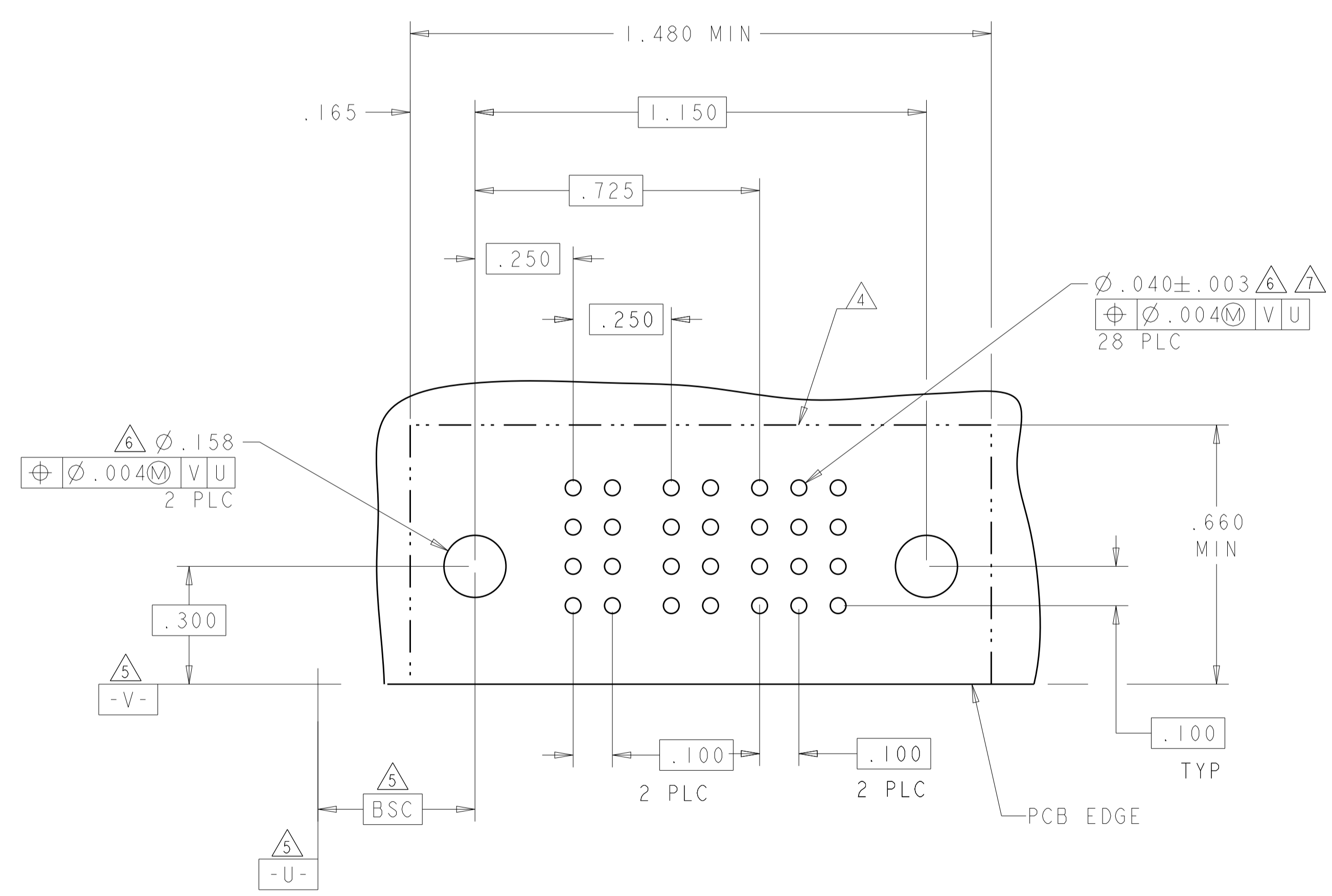
.250	2.250	1.900	1.950	1.375	.450	4P + 24S	6450322-8
.200	4.775	4.425	4.475	2.200	.450	9P + 92S	6450322-7
.300	1.950	1.600	1.650	1.275	.475	3ACP + 16S	6450322-6
.250	1.450	1.100	1.150	.875	.450	2P + 12S	6450322-3
DIM S	DIM L	DIM U	DIM D	DIM W	DIM K	DESCRIPTION	PART NUMBER

DIMENSIONS: INCHES 		TOLERANCES UNLESS OTHERWISE SPECIFIED: 0 PLC ±. 1 PLC ±.01 2 PLC ±.01 3 PLC ±.005 4 PLC ±.0020 ANGLES ±.7°		DWN R. GRZYBOWSKI 16 JUN 05 CHK M. PERCHERKE 16 JUN 05 APVD M. PERCHERKE		Tyco Electronics Corporation Harrisburg, PA 17105-3608	
MATERIAL 		FINISH 		PRODUCT SPEC 108-1973		NAME RIGHT ANGLE HEADER ASSEMBLY W/GUIDES MULTI-BEAM XL	
CUSTOMER DRAWING		WEIGHT .114-13038		APPLICATION SPEC 114-13038		SIZE A1 00779 C=6450322	
SCALE 4:1		SHEET 1 OF 4		REV B6		RESTRICTED TO	

LOC		DIST		REVISIONS			
P	LTN	DATE	DMN	APVD	DESCRIPTION		
-	-	-	-	-	SEE SHEET 1		

PART NUMBER	ROWS	POWER		SIGNAL		
		P1	P2	1	2	3
6450322-3	D	PM	PM	J	J	J
	C			K	K	K
	B			N	N	N
	A			S	S	S
2P + 12S						

PART NUMBER	ROWS	POWER			SIGNAL			
		P1	P2	P3	1	2	3	4
6450322-6	D	PM	PM	PM	J	J	J	J
	C				K	K	K	K
	B				N	N	N	N
	A				S	S	S	S
3ACP + 16S								



CODE	MATING SEQUENCE	TAIL LENGTH	ROW
J	STD	.135"	D
K	STD	.135"	C
N	STD	.135"	B
S	STD	.135"	A

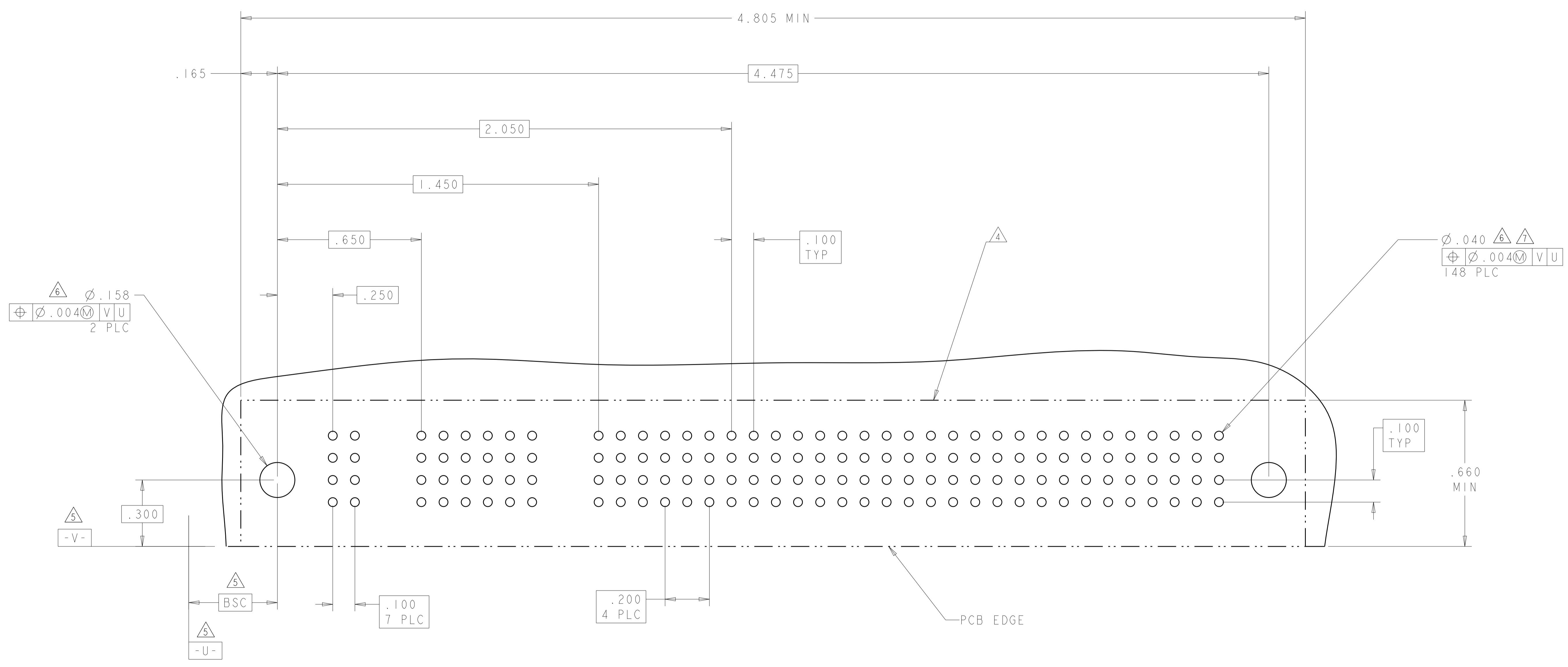
PM	.135"	DIMENSIONS: INCHES	TOLERANCES UNLESS OTHERWISE SPECIFIED: 0 PLC ±.01 1 PLC ±.01 2 PLC ±.01 3 PLC ±.005 4 PLC ±.0020 ANGLES ±.2°	DWN R. GRZYBOWSKI CHK M. PERCHERKE APVD M. PERCHERKE	16 JUN 05 16 JUN 05	Tyco Electronics Tyco Electronics Corporation Harrisburg, PA 17105-3608
CODE	TAIL LENGTH					
POWER CONTACT		MATERIAL	FINISH	PRODUCT SPEC 108-1973	APPLICATION SPEC 114-13038	RESTRICTED TO
				RIGHT ANGLE HEADER ASSEMBLY W/GUIDES MULTI-BEAM XL	SIZE A1	CAGE CODE 00779
				CUSTOMER DRAWING	DRAWING NO 6450322	SCALE 4:1
				SHEET 2 OF 4		REV B6

LOC	DIST	REVISIONS			
P	LTN	DESCRIPTION	DATE	DMN	APVD
GP	00	SEE SHEET 1			

PART NUMBER	ROWS	POWER								SIGNAL																												
		P1	P2	P3	P4	P5	P6	P7	P8	P9	1	2	3	4	5	6	7	8	9	10	11	12	13	14	15	16	17	18	19	20	21	22	23					
6450322-7	D	PM	PM	PM	PM	PM	PM	PM	PM	J	J	J	J	J	J	J	J	J	J	J	J	J	J	J	J	J	J	J	J	J	J	J	J					
	K									K	K	K	K	K	K	K	K	K	K	K	K	K	K	K	K	K	K	K	K	K	K	K	K	K	K	K	K	K
	N									N	N	N	N	N	N	N	N	N	N	N	N	N	N	N	N	N	N	N	N	N	N	N	N	N	N	N	N	N
9P + 92S	A	S	S	S	S	S	S	S	S	S	S	S	S	S	S	S	S	S	S	S	S	S	S	S	S	S	S	S	S	S								

NO CONTACTS LOADED

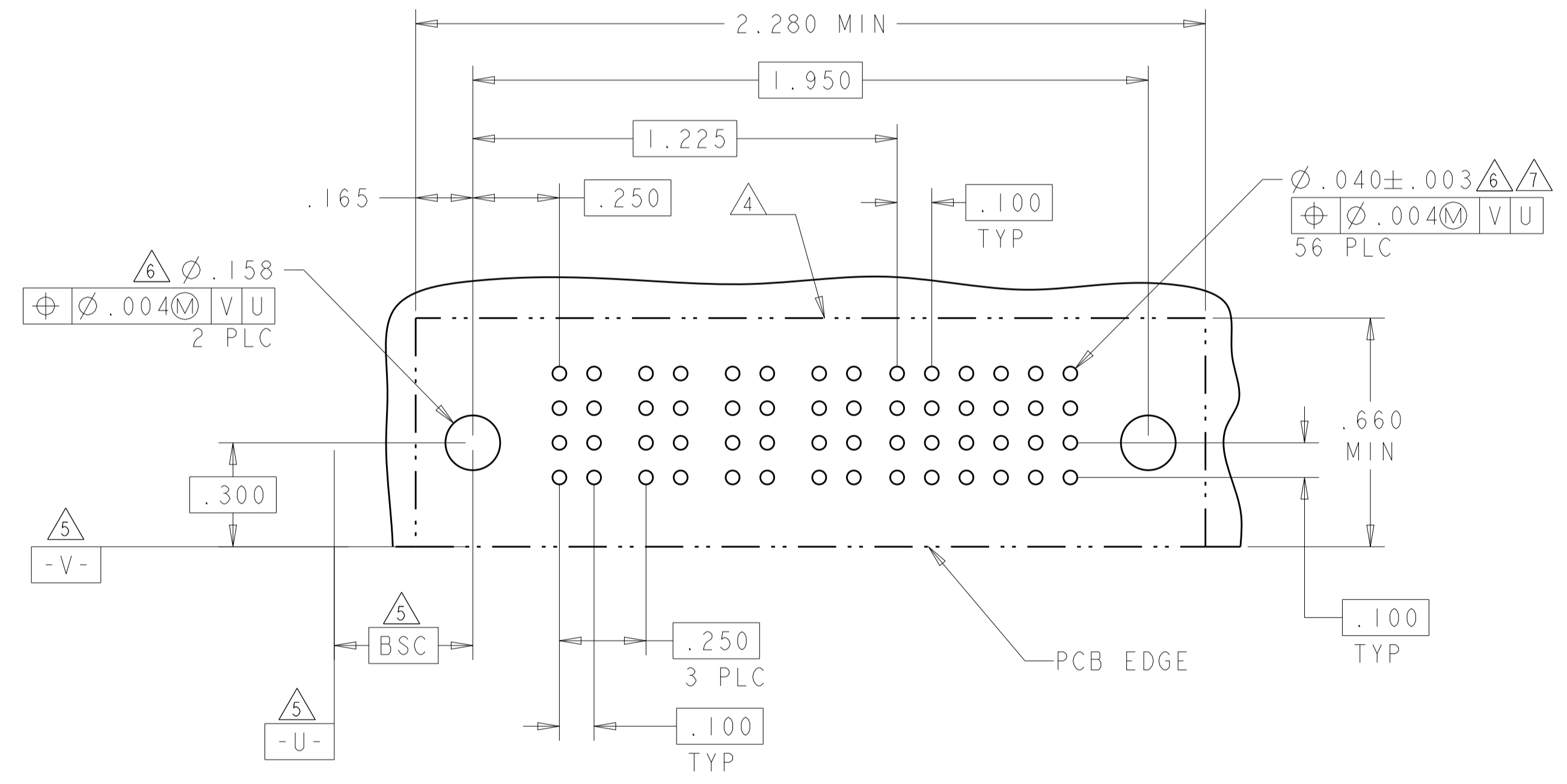
NO CONTACTS LOADED



<small>THIS DRAWING IS UNPUBLISHED. RELEASED FOR PUBLICATION. IT IS THE BUYER'S RESPONSIBILITY TO CONTACT THE SUPPLIER FOR THE LATEST REVISIONS. DIMENSIONS SHOWN ON THIS DRAWING ARE THE LATEST REVISIONS UNLESS OTHERWISE SPECIFIED.</small>		DWN: R. GRZYBOWSKI 16 JUN 05 CHK: M. PERCHERKE 16 JUN 05 APVD: M. PERCHERKE	Tyco Electronics Corporation Harrisburg, PA 17105-3608
DIMENSIONS: INCHES	TOLERANCES UNLESS OTHERWISE SPECIFIED: 0 PLC ±. 1 PLC ±.01 2 PLC ±.01 3 PLC ±.005 4 PLC ±.0020 ANGLES ±.2°	NAME: RIGHT ANGLE HEADER ASSEMBLY W/GUIDES MULTI-BEAM XL PRODUCT SPEC: 108-1973 APPLICATION SPEC: 114-13038 WEIGHT: -	SIZE: A CAGE CODE: 00779 DRAWING NO: 6450322 RESTRICTED TO: -
MATERIAL: -	FINISH: -	CUSTOMER DRAWING	SCALE: 4:1 SHEET: 3 OF 4 REV: B6

LOC	DIST	REVISIONS			
P	LTN	DESCRIPTION	DATE	DMN	APVD
-	-	SEE SHEET 1	-	-	-

PART NUMBER	ROWS	POWER				SIGNAL					
		P1	P2	P3	P4	1	2	3	4	5	6
6450322-8	D	PM	PM	PM	PM	J	J	J	J	J	J
	C					K	K	K	K	K	K
	B					N	N	N	N	N	N
	A					S	S	S	S	S	S
4P + 24S											



<small>THIS DRAWING IS UNPUBLISHED. IT IS THE PROPERTY OF TYCO ELECTRONICS CORPORATION. IT IS SUBJECT TO CHANGE AND WITHOUT WARRANTY OF MERCHANTABILITY. SHOULD BE CONTACTED FOR THE LATEST REVISION.</small>		DWN: R. GRZYBOWSKI 16 JUN 05 CHK: M. PERCHERKE 16 JUN 05 APVD: M. PERCHERKE	Tyco Electronics Corporation Harrisburg, PA 17105-3608
DIMENSIONS: INCHES	TOLERANCES UNLESS OTHERWISE SPECIFIED: 0 PLC ±. 1 PLC ±.01 2 PLC ±.01 3 PLC ±.005 4 PLC ±.0020 ANGLES ±.2° FINISH	NAME: RIGHT ANGLE HEADER ASSEMBLY W/GUIDES MULTI-BEAM XL PRODUCT SPEC: 108-1973 APPLICATION SPEC: 114-13038 WEIGHT: - CUSTOMER DRAWING	SIZE: A1 CAGE CODE: 00779 DRAWING NO: 6450322 SCALE: 4:1 SHEET: 4 OF 4 REV: B6

## X-ON Electronics

Largest Supplier of Electrical and Electronic Components

*Click to view similar products for [Power to the Board](#) category:*

*Click to view products by [TE Connectivity](#) manufacturer:*

Other Similar products are found below :

[10131318-08512GRLF](#) [6450171-4](#) [6450552-7](#) [6600323-8](#) [6643429-1](#) [6646040-2](#) [6651939-1](#) [6766604-1](#) [120959-1](#) [1393557-2](#) [1393532-2](#)  
[1393532-3](#) [1393532-4](#) [1393557-1](#) [1600812-5](#) [1-6450861-2](#) [1645595-1](#) [1743490-1](#) [1744132-7](#) [1761122-1](#) [1766169-1](#) [1766250-1](#) [18362](#)  
[1892109-1](#) [1-967627-6](#) [2226808-1](#) [2-6450860-5](#) [2-6450860-6](#) [2-6450870-0](#) [93003-0502](#) [953552-1](#) [1-6450161-4](#) [1-6450850-6](#) [1645526-2](#) [1-](#)  
[6600130-0](#) [1743419-1](#) [1766150-1](#) [2005243-2](#) [211110-1](#) [2-6600130-2](#) [TE34-12-16P-F0](#) [5-6450830-6](#) [5646956-4](#) [36662-0005](#) [40585-3000](#) [4-](#)  
[6450830-9](#) [4-6600333-3](#) [51142-0214](#) [10134048-911LF](#) [10130248-005LF](#)