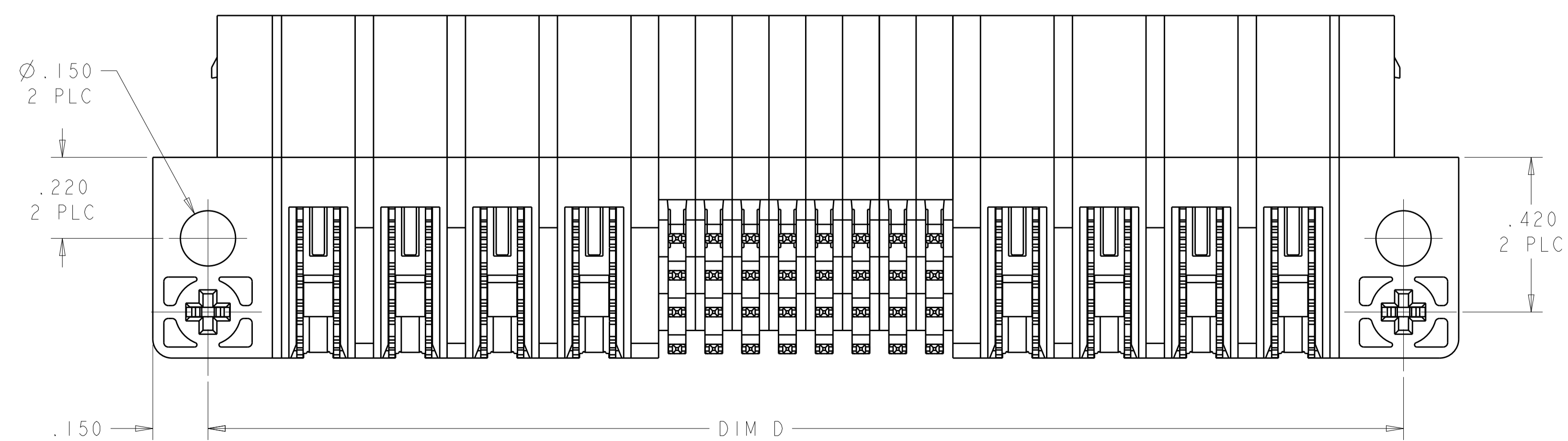
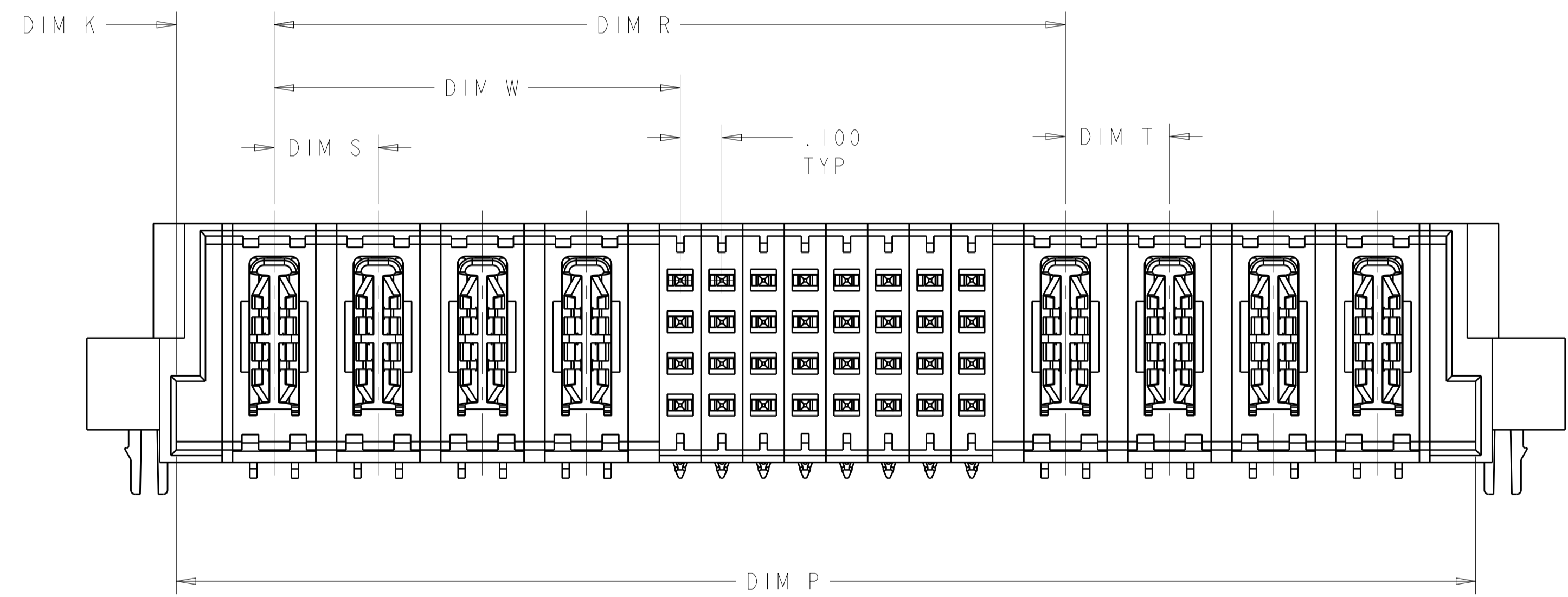
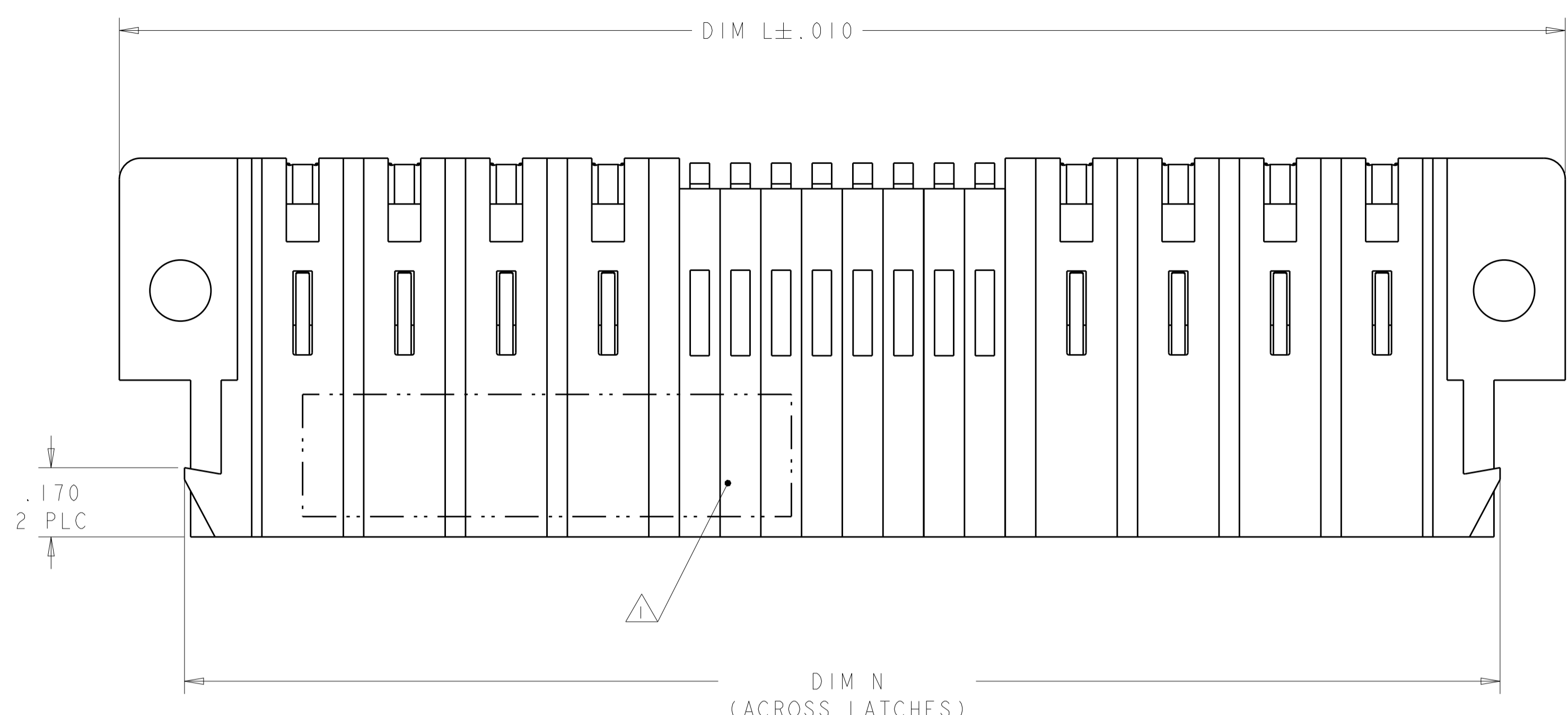
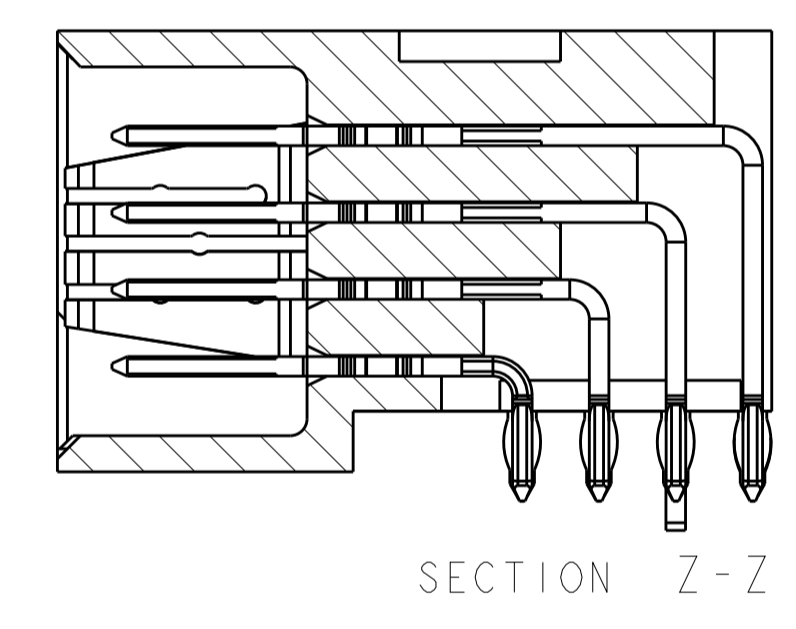
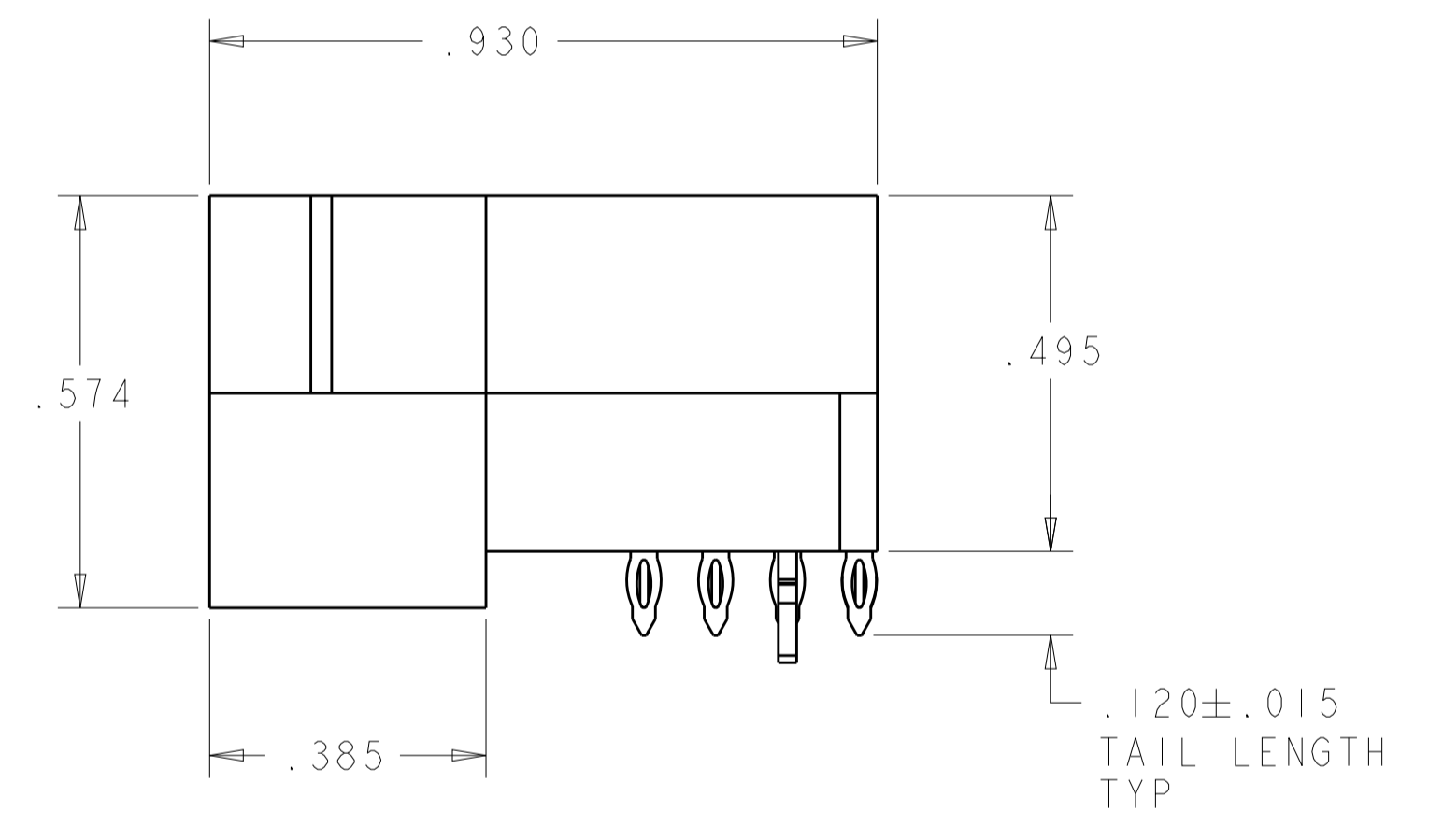


LOC	DIST	REVISIONS					
		P	LTN	DESCRIPTION	DATE	DWN	APVD
ES	00	A7		ADDED NEW DASH NUMBER -8	26JUL2012	CZ	SZ
		A8		REVISED FOR -8	03AUG2012	CZ	SZ



- 1 "AMP" PART NUMBER AND DATE CODE TO BE MARKED IN AREA SHOWN. PARTS UNDER 2.00 INCHES LONG MAY BE MARKED ON BOTH SIDES.
- 2 MATERIAL: HOUSING - GLASS FILLED HIGH TEMP THERMO PLASTIC, UL 94 V-0  
SIGNAL CONTACT - COPPER ALLOY  
POWER CONTACT - HIGH CONDUCTIVITY COPPER ALLOY.
- 3 CONTACT PLATING: NOBLE METAL PLATING ON CONTACT FUNCTIONAL AREA OF POWER AND SIGNAL CONTACTS
- 4 MECHANICAL CONNECTOR KEEP OUT ZONE. WHEN PLACING CONNECTORS END-TO-END, ALLOW ADDITIONAL 0.1 CLEARANCE BETWEEN CONNECTORS FOR LATCH ACTIVATION.
- 5 DATUM AND BASIC DIMENSIONS ESTABLISHED BY CUSTOMER.
- 6 PCB - ALL HOLE DIAMETERS ARE FINISHED HOLE SIZES.
- 7 PCB - .0453±.0010 DRILLED HOLES PLATED WITH .0003 MIN Sn OVER .001 TO .003 Cu PLATING TO ACHIEVE A .040 DIA HOLE.
- 8 FOR CONFIGURATION "S" DIMENSIONS PLEASE REFER TO SHEET 2.



A7	1.400	-	.300	1.270	1.380	-	.850	1.700	.235	3ACP + 4S	6450528-8
	1.975	-	-	1.845	1.955	-	-	2.275	.185	64S	6450528-7
	2.750	-	.300	2.620	2.730	-	2.050	3.050	.260	7ACP + 8S	6450528-6
	3.100	.300	.300	2.970	3.080	1.800	.850	3.400	.285	3ACP + 32S + 3ACP	6450528-5
	1.050	-	-	.920	1.030	.450	.225	1.350	.235	1P + 4S + 1P	6450528-4
	3.350	-	.300	3.220	3.330	-	2.300	3.650	.260	8ACP + 24S	6450528-3
	3.250	.250	.250	3.120	3.230	1.900	.975	3.550	.235	4P + 32S + 4P	6450528-1
	DIM D	DIM T	DIM S	DIM P	DIM N	DIM R	DIM W	DIM L	DIM K	DESCRIPTION	PART NUMBER

THIS DRAWING IS A CONTROLLED DOCUMENT.

DIMENSIONS: INCHES

TOLERANCES UNLESS OTHERWISE SPECIFIED:

0 PLC	±
1 PLC	±.01
2 PLC	±.01
3 PLC	±.005
4 PLC	±.0020
ANGLES	±.0020

MATERIAL: 2

FINISH: 3

THIS DRAWING IS A CONTROLLED DOCUMENT. DWN: CECILY.ZHOU 25JUL2006, CHK: S.ZHAO 25JUL2006, APVD: S.ZHAO 25JUL2006

PRODUCT SPEC: 108-1973

APPLICATION SPEC: 114-13038

WEIGHT: -

CUSTOMER DRAWING

SCALE: 4:1

SHEET 1 OF 7

REV B

STE TE Connectivity

RIGHT ANGLE HEADER ASSEMBLY W/END LATCHES MULTI-BEAM XL

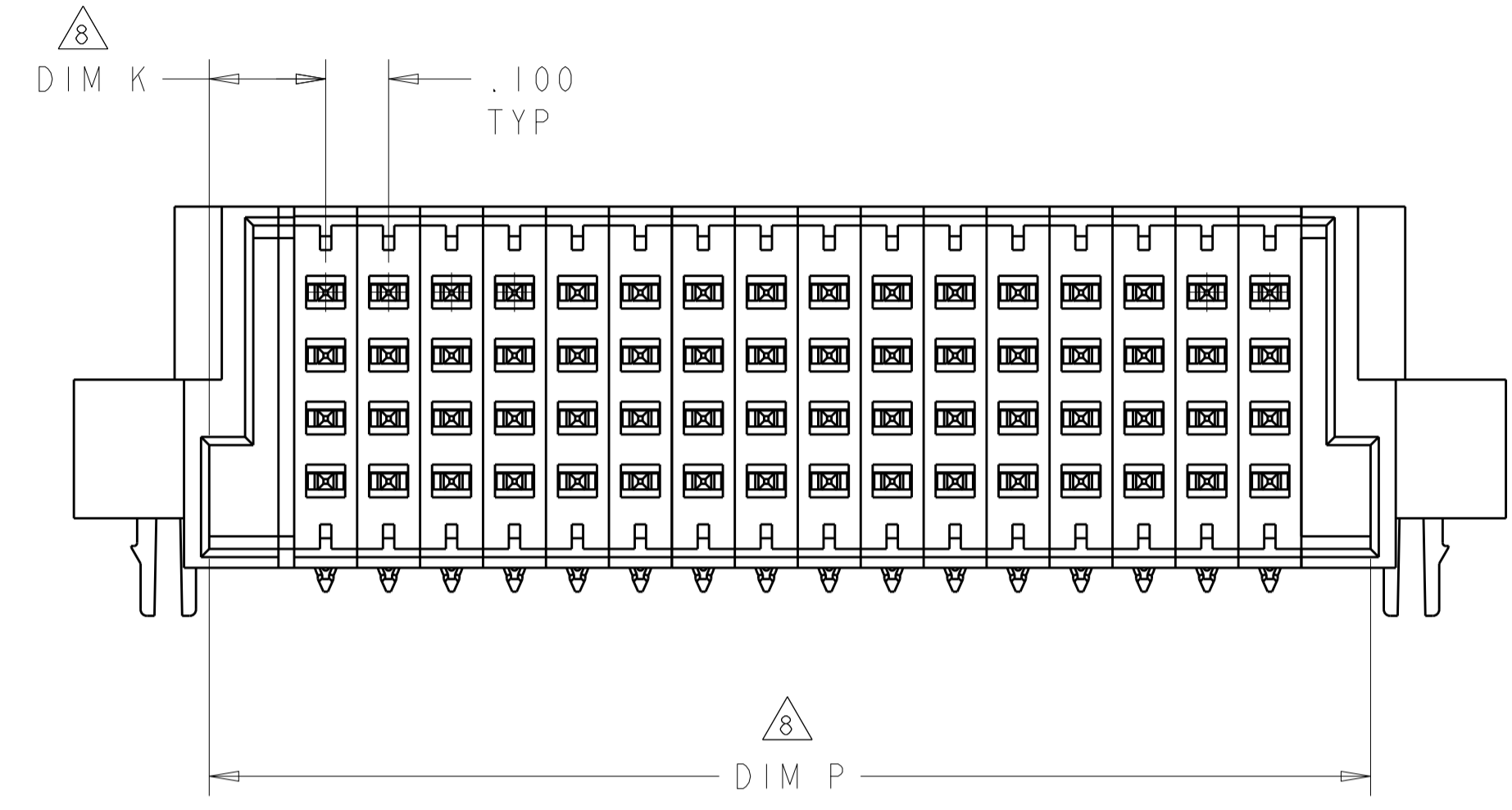
SIZE: A100779

NAME: RIGHT ANGLE HEADER ASSEMBLY W/END LATCHES MULTI-BEAM XL

RESTRICTED TO: -

THIS DRAWING IS UNPUBLISHED. RELEASED FOR PUBLICATION 20  
COPYRIGHT 20 ALL RIGHTS RESERVED.

LOC		DIST		REVISIONS			
ES	00	P	LTH	DESCRIPTION	DATE	DMN	APVD
		-		SEE SHEET 1	-	-	-

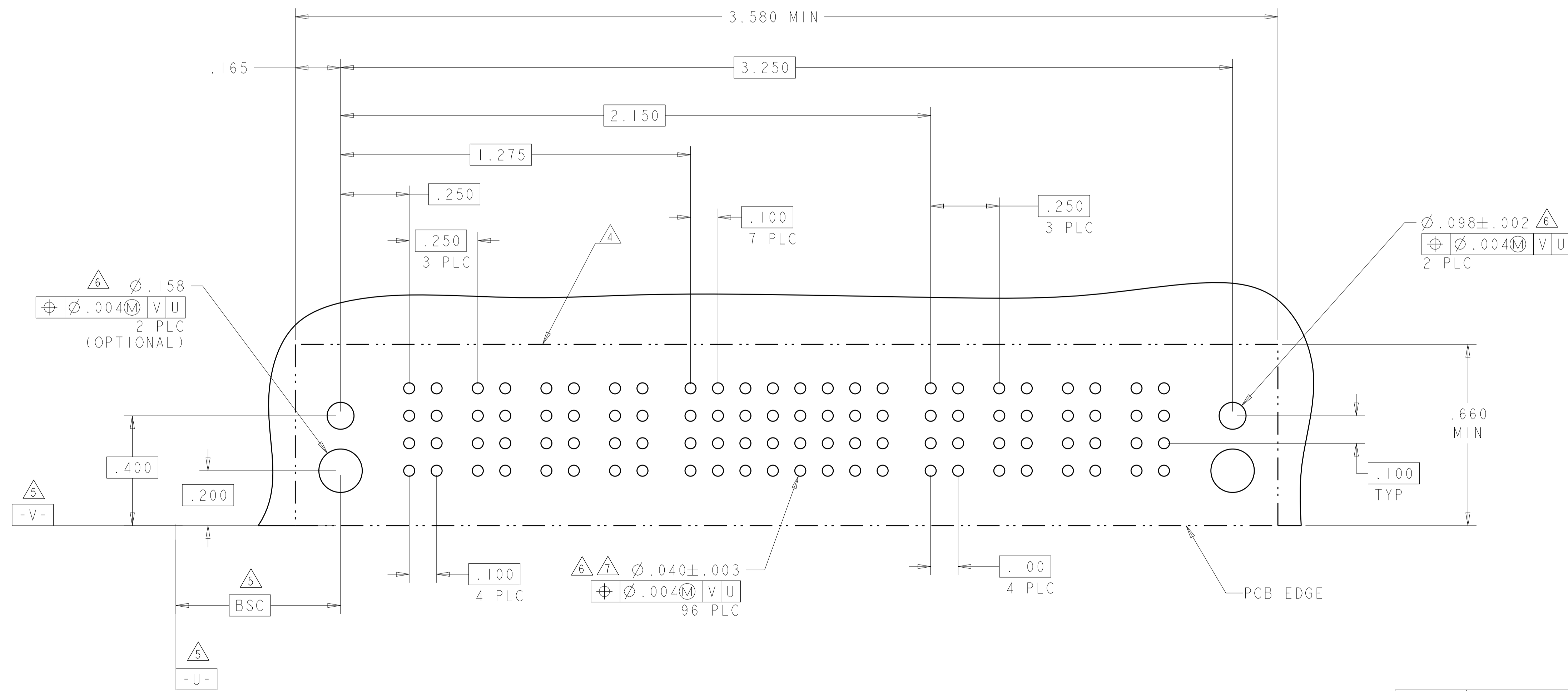


FOR CONFIGURATION "S", OTHER DIMENSIONS PLEASE REFER TO SHEET 1

THIS DRAWING IS A CONTROLLED DOCUMENT.		DMN G. CECILY, ZHOU 25JUL2006	<b>STE</b> TE Connectivity														
DIMENSIONS: INCHES		CHK S. ZHAO 25JUL2006															
TOLERANCES UNLESS OTHERWISE SPECIFIED:		APVD S. ZHAO 25JUL2006	NAME RIGHT ANGLE HEADER ASSEMBLY W/END LATCHES MULTI-BEAM XL														
<table border="1"> <tr><td>0 PLC</td><td>±</td></tr> <tr><td>1 PLC</td><td>±.01</td></tr> <tr><td>2 PLC</td><td>±.01</td></tr> <tr><td>3 PLC</td><td>±.005</td></tr> <tr><td>4 PLC</td><td>±.0020</td></tr> <tr><td>ANGLES</td><td>±.2°</td></tr> <tr><td>FINISH</td><td>-</td></tr> </table>		0 PLC	±	1 PLC	±.01	2 PLC	±.01	3 PLC	±.005	4 PLC	±.0020	ANGLES	±.2°	FINISH	-	PRODUCT SPEC 108-1973	SIZE A100779
0 PLC	±																
1 PLC	±.01																
2 PLC	±.01																
3 PLC	±.005																
4 PLC	±.0020																
ANGLES	±.2°																
FINISH	-																
MATERIAL -		APPLICATION SPEC 114-13038	CAGE CODE DRAWING NO C=6450528														
WEIGHT -		CUSTOMER DRAWING	RESTRICTED TO -														
SCALE 4:1		SHEET 2	OF 7														
REV B																	

LOC	DIST	REVISIONS			
P	LTH	DESCRIPTION	DATE	DWN	APVD
-	-	SEE SHEET 1	-	-	-

PART NUMBER	ROWS	POWER				SIGNAL								POWER			
		P1	P2	P3	P4	1	2	3	4	5	6	7	8	P5	P6	P7	P8
6450528-1	D	PT	PT	PT	PT	Z5	Z5	Z5	Z5	Z5	Z5	Z5	Z5	PT	PT	PT	PT
	C					Y5	Y5	Y5	Y5	Y5	Y5	Y5	Y5				
	B					R5	R5	R5	R5	R5	R5	R5	R5				
A						O5	O5	O5	O5	O5	O5	O5					
4P + 32S + 4P																	



CODE	TAIL LENGTH
PT	.120

Z	STD	D
Z5	STD	D
Y5	STD	C
R5	STD	B
O5	STD	A

THIS DRAWING IS A CONTROLLED DOCUMENT. DWN: CECILY.ZHOU 25JUL2006, CHK: S.ZHAO 25JUL2006, APVD: S.ZHAO 25JUL2006

DIMENSIONS: INCHES. TOLERANCES UNLESS OTHERWISE SPECIFIED: 0 PLC ±, 1 PLC ±.01, 2 PLC ±.01, 3 PLC ±.005, 4 PLC ±.0020, ANGLES ±.020

MATERIAL: FINISH: WEIGHT: CUSTOMER DRAWING

SCALE: 4:1 SHEET 3 OF 7 REV B

STE TE Connectivity

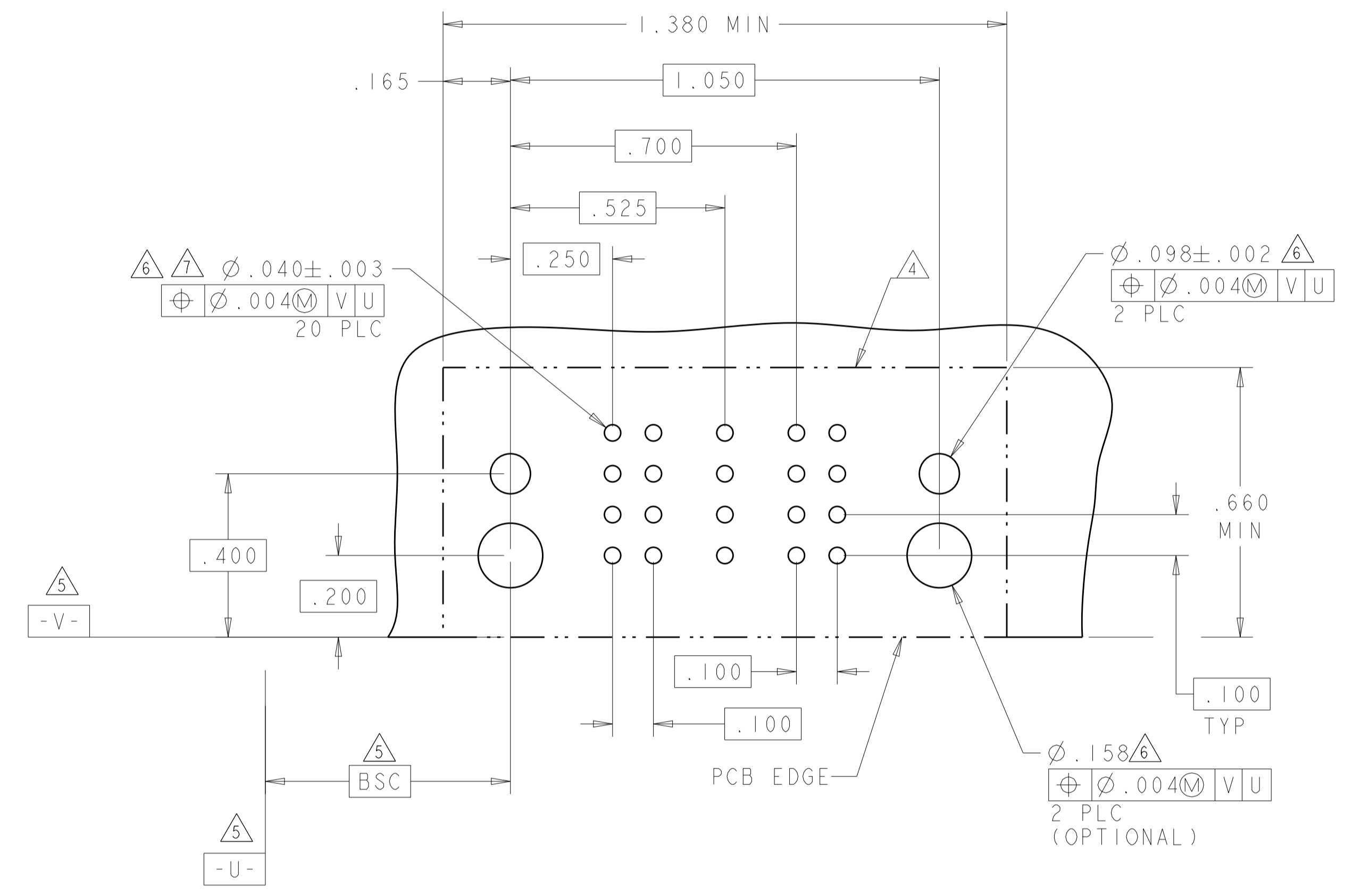
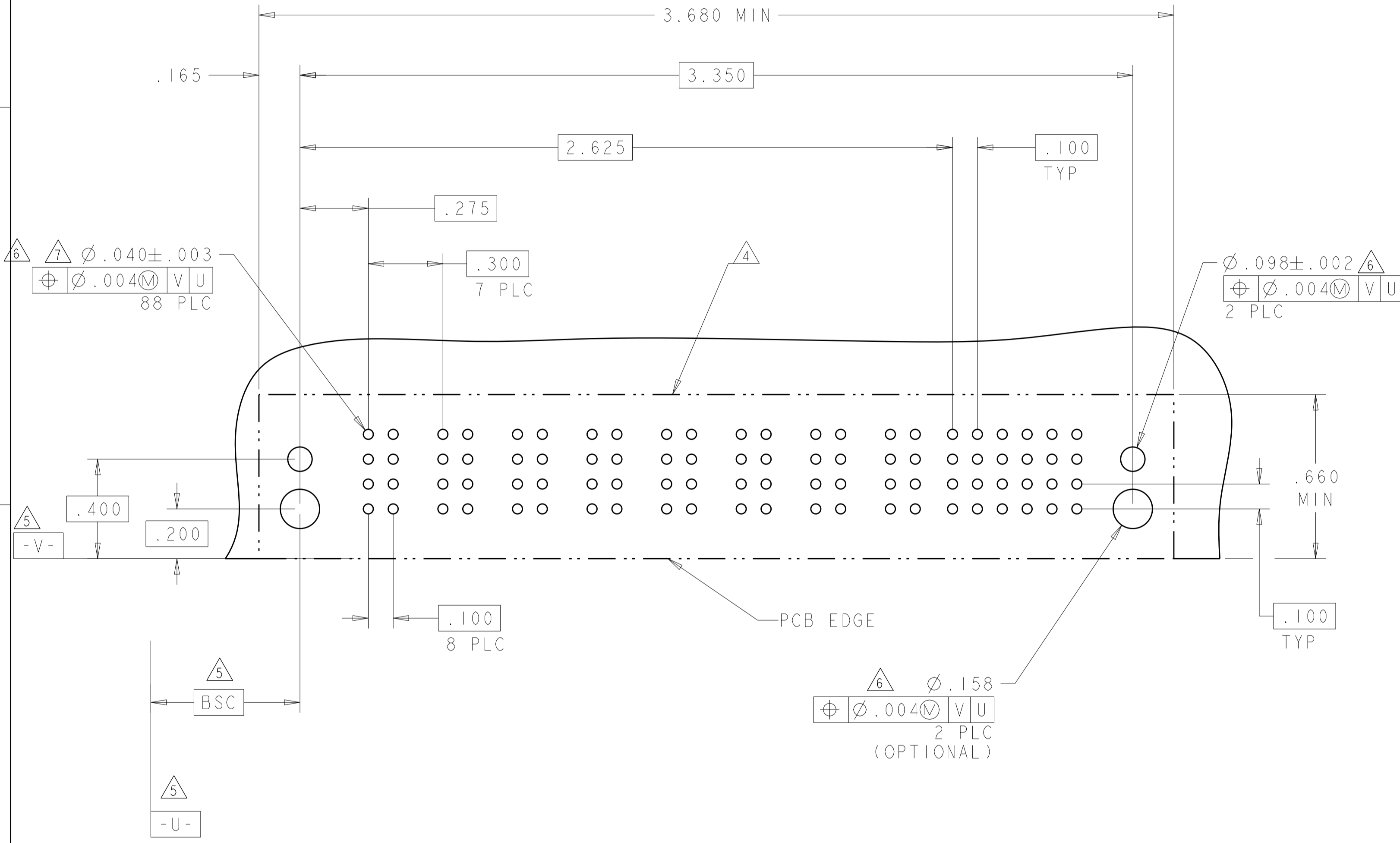
RIGHT ANGLE HEADER ASSEMBLY W/END LATCHES MULTI-BEAM XL

SIZE: A1 CAGE CODE: 114-13038 DRAWING NO: 6450528

LOC	DIST	REVISIONS			
ES	00	REV	DATE	BY	APPV
		-	SEE SHEET 1	-	-

PART NUMBER	ROWS	POWER								SIGNAL					
		P1	P2	P3	P4	P5	P6	P7	P8	1	2	3	4	5	6
6450528-3	D	PT	PT	PT	PT	PT	PT	PT	PT	Z5	Z5	Z5	Z5	Z5	Z5
	C	PT	PT	PT	PT	PT	PT	PT	PT	Y5	Y5	Y5	Y5	Y5	Y5
	B	PT	PT	PT	PT	PT	PT	PT	PT	R5	R5	R5	R5	R5	R5
	A	PT	PT	PT	PT	PT	PT	PT	PT	O5	O5	O5	O5	O5	O5
8ACP + 24S		HD		HD		HD		HD		HD		HD		HD	

PART NUMBER	ROWS	POWER		SIGNAL		POWER	
		P1	P2	I	P2	P1	P2
6450528-4	D	PT	PT	Z5	PT	PT	PT
	C	PT	PT	Y5	PT	PT	PT
	B	PT	PT	R5	PT	PT	PT
	A	PT	PT	O5	PT	PT	PT
IP + 4S + IP		HD		HD		HD	

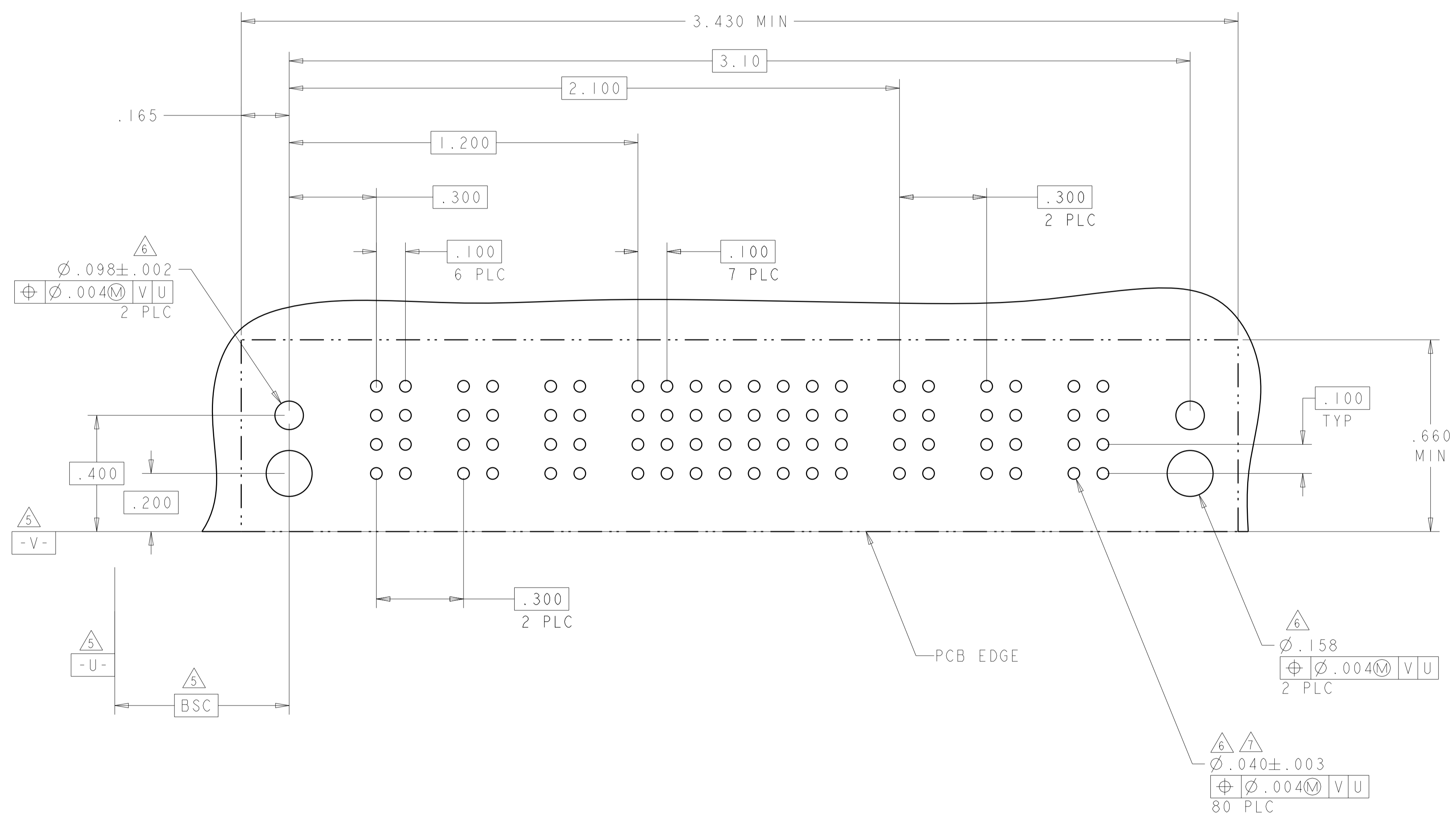


THIS DRAWING IS A CONTROLLED DOCUMENT.		OWN: CECILY.ZHOU 25JUL2006	 TE Connectivity												
DIMENSIONS: INCHES		CHK: S.ZHAO 25JUL2006													
TOLERANCES UNLESS OTHERWISE SPECIFIED:		APVD: S.ZHAO 25JUL2006	NAME: RIGHT ANGLE HEADER ASSEMBLY W/END LATCHES MULTI-BEAM XL												
<table border="1"> <tr><td>0 PLC</td><td>±</td></tr> <tr><td>1 PLC</td><td>±.01</td></tr> <tr><td>2 PLC</td><td>±.01</td></tr> <tr><td>3 PLC</td><td>±.005</td></tr> <tr><td>4 PLC</td><td>±.0020</td></tr> <tr><td>ANGLES</td><td>±.020</td></tr> </table>		0 PLC	±	1 PLC	±.01	2 PLC	±.01	3 PLC	±.005	4 PLC	±.0020	ANGLES	±.020	PRODUCT SPEC: 108-1973	SIZE: 114-13038
0 PLC	±														
1 PLC	±.01														
2 PLC	±.01														
3 PLC	±.005														
4 PLC	±.0020														
ANGLES	±.020														
MATERIAL: -		APPLICATION SPEC: 114-13038	RESTRICTED TO: -												
FINISH: -		WEIGHT: -	SCALE: 4:1												
CUSTOMER DRAWING		DATE: 25JUL2006	SHEET: 4 OF 7												
		REV: -	REV: B												

LOC	DIST	REVISIONS			
P	LTN	DESCRIPTION	DATE	DMN	APVD
-	-	SEE SHEET 1	-	-	-

PART NUMBER	ROWS	POWER			SIGNAL								POWER		
		P1	P2	P3	1	2	3	4	5	6	7	8	P4	P5	P6
6450528-5	D				Z5	Z5	Z5	Z5	Z5	Z5	Z5	Z5			
	C				Y5	Y5	Y5	Y5	Y5	Y5	Y5	Y5	PT	PT	PT
	B				R5	R5	R5	R5	R5	R5	R5	R5			
	A	HD			O5	O5	O5	O5	O5	O5	O5	O5			HD

3ACP + 32S + 3ACP

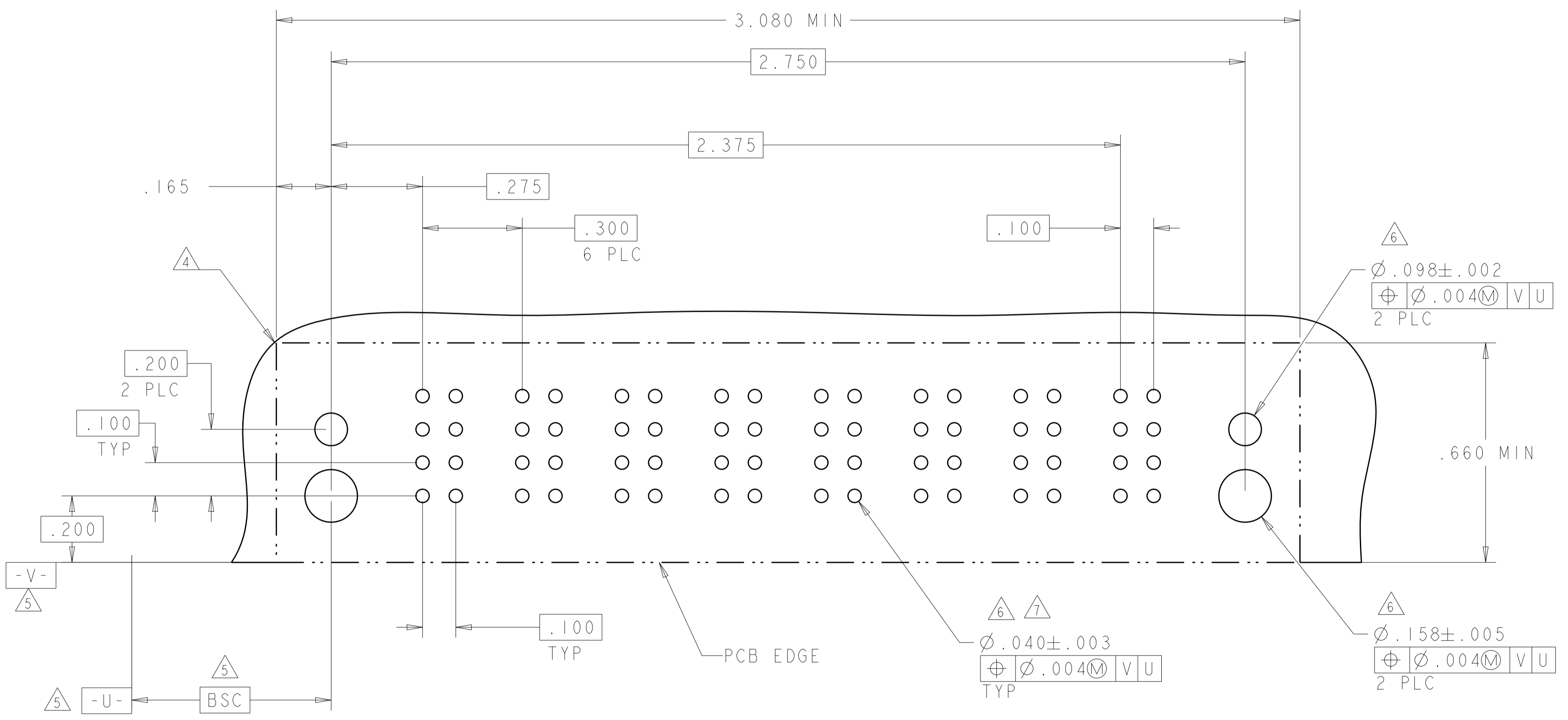


THIS DRAWING IS A CONTROLLED DOCUMENT.		DMN: CECILY.ZHOU 25JUL2006	 TE Connectivity
DIMENSIONS: INCHES		CHK: S.ZHAO 25JUL2006	
		APVD: S.ZHAO 25JUL2006	NAME: RIGHT ANGLE HEADER ASSEMBLY W/END LATCHES MULTI-BEAM XL
TOLERANCES UNLESS OTHERWISE SPECIFIED:		PRODUCT SPEC: 108-1973	SIZE: A100779
0 PLC ±.01		APPLICATION SPEC: 114-13038	CAGE CODE: 6450528
1 PLC ±.01		WEIGHT: -	RESTRICTED TO: -
2 PLC ±.01		CUSTOMER DRAWING	SCALE: 4:1
3 PLC ±.005			SHEET: 5 OF 7
4 PLC ±.0020			REV: B
ANGLES: ±.2°			
FINISH: -			

LOC	DIST	REVISIONS			
P	LTN	DESCRIPTION	DATE	DMN	APVD
-	-	SEE SHEET 1	-	-	-

PART NUMBER	ROWS	POWER							SIGNAL		
		P1	P2	P3	P4	P5	P6	P7	1	2	
6450528-6	D	HD	PT	PT	PT	PT	PT	PT	Z5	Z5	HD
	C								Y5	Y5	
	B								R5	R5	
	A								O5	O5	

7ACP + 8S



THIS DRAWING IS A CONTROLLED DOCUMENT. DWN: CECILY.ZHOU 25JUL2006  
 CHK: S.ZHAO 25JUL2006  
 APVD: S.ZHAO 25JUL2006

**STE** TE Connectivity

NAME: RIGHT ANGLE HEADER ASSEMBLY W/END LATCHES MULTI-BEAM XL

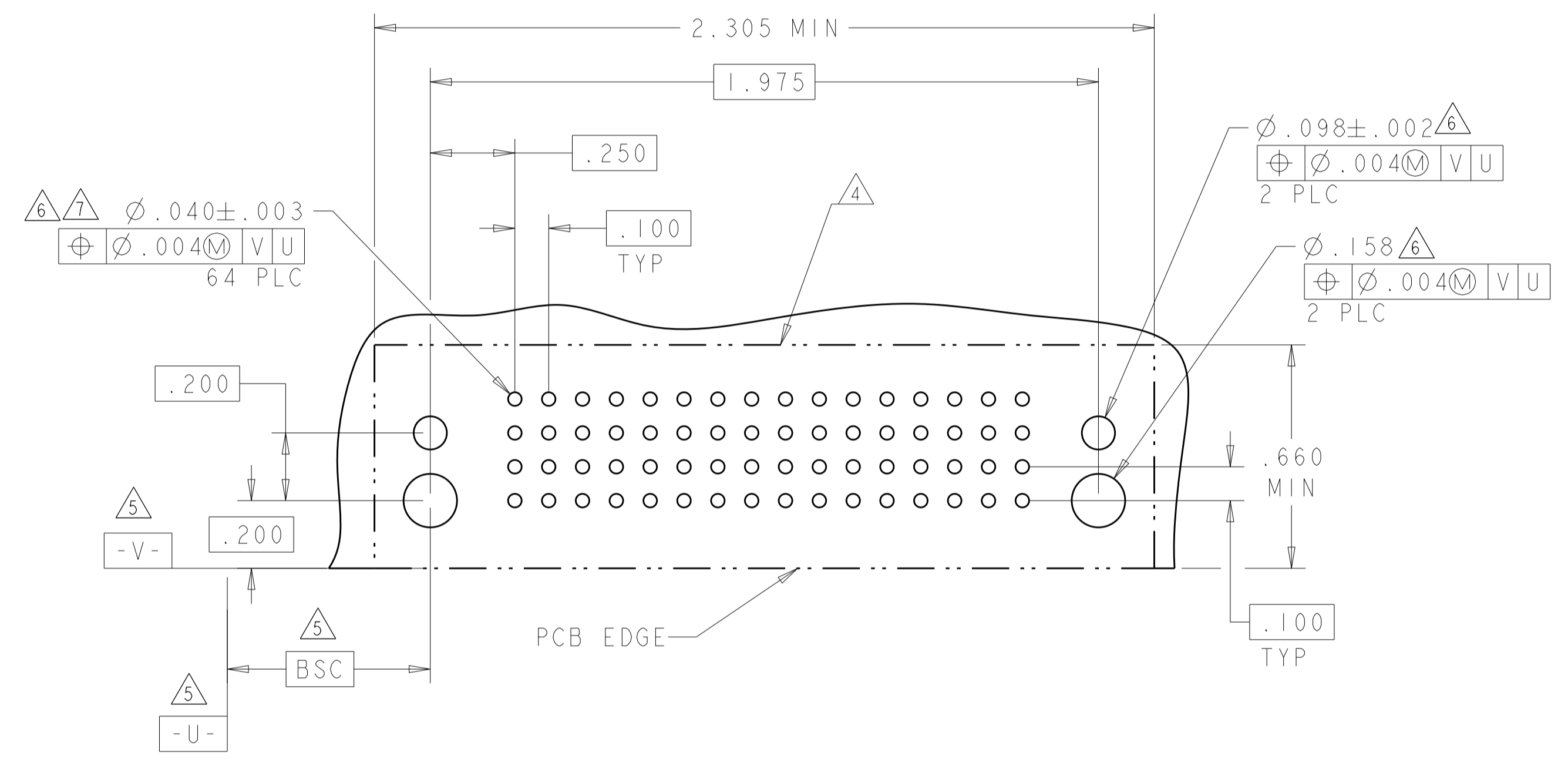
PRODUCT SPEC: 108-1973  
 APPLICATION SPEC: 114-13038  
 WEIGHT: -  
 MATERIAL: -  
 FINISH: -

SIZE: A100779 C=6450528  
 SCALE: 4:1 SHEET 6 OF 7 REV B

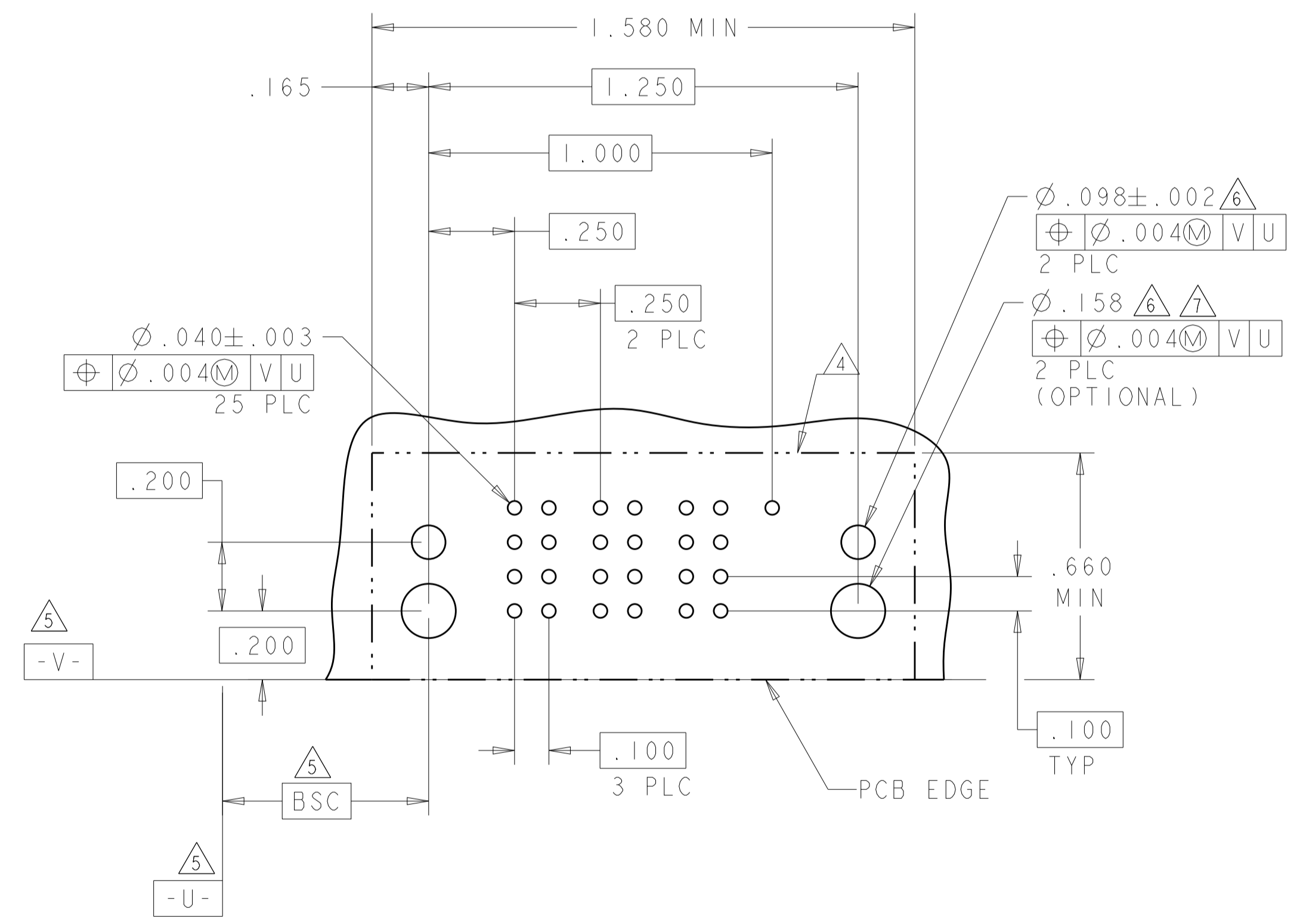
LOC	DIST	REVISIONS					
ES	00	P	LTN	DESCRIPTION	DATE	OWN	APVD
		-		SEE SHEET 1			

PART NUMBER	ROWS	SIGNAL														POWER				
		1	2	3	4	5	6	7	8	9	10	11	12	13	14	15	16	P5	P6	P7
6450528-7	D C B A	Z5	Z5	Z5	Z5	Z5	Z5	Z5	Z5	Z5	Z5	Z5	Z5	Z5	Z5	Z5				
		Y5	Y5	Y5	Y5	Y5	Y5	Y5	Y5	Y5	Y5	Y5	Y5	Y5	Y5	Y5				
		R5	R5	R5	R5	R5	R5	R5	R5	R5	R5	R5	R5	R5	R5	R5				
64S		05	05	05	05	05	05	05	05	05	05	05	05	05	05					

PART NUMBER	ROWS	POWER			SIGNAL
		P1	P2	P3	I
6450528-8	D C B A				Z5
		PT	PT	PT	
3P + 4S					



NO CONTACTS LOADED



THIS DRAWING IS A CONTROLLED DOCUMENT.		OWN: GECILY, ZHOU 25JUL2006	TE Connectivity												
DIMENSIONS: INCHES		CHK: S. ZHAO 25JUL2006													
TOLERANCES UNLESS OTHERWISE SPECIFIED:		APVD: S. ZHAO 25JUL2006	NAME: RIGHT ANGLE HEADER ASSEMBLY W/END LATCHES MULTI-BEAM XL												
<table border="1"> <tr><td>0 PLC</td><td>±</td></tr> <tr><td>1 PLC</td><td>±.01</td></tr> <tr><td>2 PLC</td><td>±.01</td></tr> <tr><td>3 PLC</td><td>±.005</td></tr> <tr><td>4 PLC</td><td>±.0020</td></tr> <tr><td>ANGLES</td><td>±.2°</td></tr> </table>		0 PLC	±	1 PLC	±.01	2 PLC	±.01	3 PLC	±.005	4 PLC	±.0020	ANGLES	±.2°	PRODUCT SPEC: 108-1973	RESTRICTED TO: -
0 PLC	±														
1 PLC	±.01														
2 PLC	±.01														
3 PLC	±.005														
4 PLC	±.0020														
ANGLES	±.2°														
MATERIAL: -		APPLICATION SPEC: 114-13038	SIZE: A100779												
FINISH: -		WEIGHT: -	CAGE CODE: 6450528												
CUSTOMER DRAWING		SCALE: 4:1	SHEET 7 OF 7 REV B												

## X-ON Electronics

Largest Supplier of Electrical and Electronic Components

*Click to view similar products for [Power to the Board](#) category:*

*Click to view products by [TE Connectivity](#) manufacturer:*

Other Similar products are found below :

[10131318-08512GRLF](#) [6450171-4](#) [6450552-7](#) [6600323-8](#) [6643429-1](#) [6646040-2](#) [6651939-1](#) [6766604-1](#) [120959-1](#) [1393557-2](#) [1393532-2](#)  
[1393532-3](#) [1393532-4](#) [1393557-1](#) [1600812-5](#) [1-6450861-2](#) [1645595-1](#) [1743490-1](#) [1744132-7](#) [1761122-1](#) [1766169-1](#) [1766250-1](#) [18362](#)  
[1892109-1](#) [1-967627-6](#) [2226808-1](#) [2-6450860-5](#) [2-6450860-6](#) [2-6450870-0](#) [93003-0502](#) [953552-1](#) [1-6450161-4](#) [1-6450850-6](#) [1645526-2](#) [1-](#)  
[6600130-0](#) [1743419-1](#) [1766150-1](#) [2005243-2](#) [211110-1](#) [2-6600130-2](#) [TE34-12-16P-F0](#) [5-6450830-6](#) [5646956-4](#) [36662-0005](#) [40585-3000](#) [4-](#)  
[6450830-9](#) [4-6600333-3](#) [51142-0214](#) [10134048-911LF](#) [10130248-005LF](#)