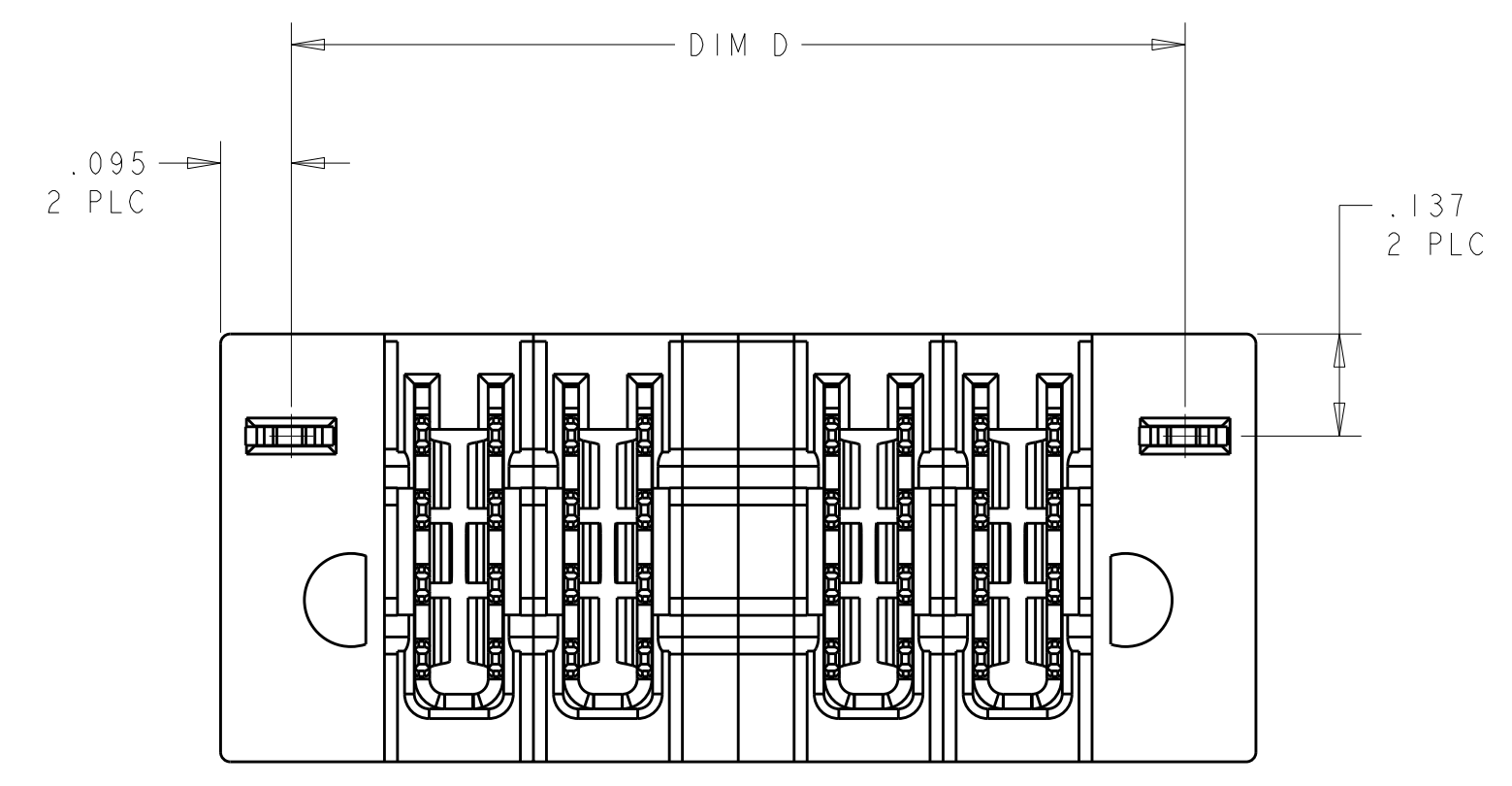
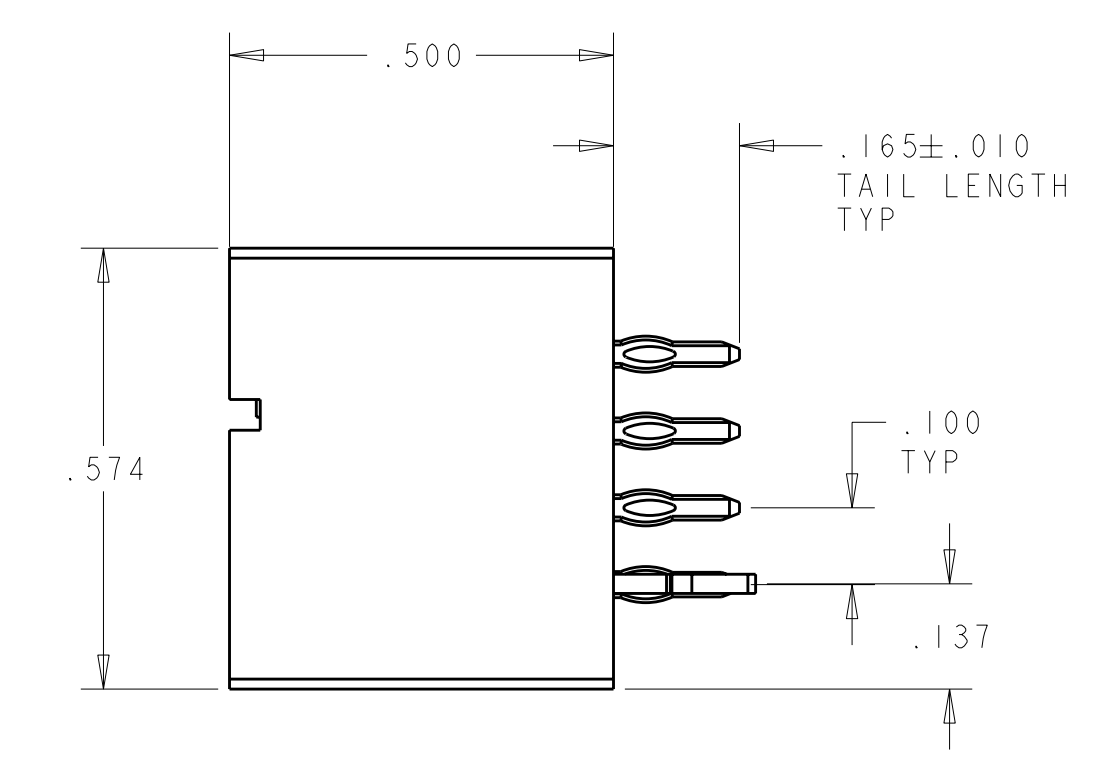
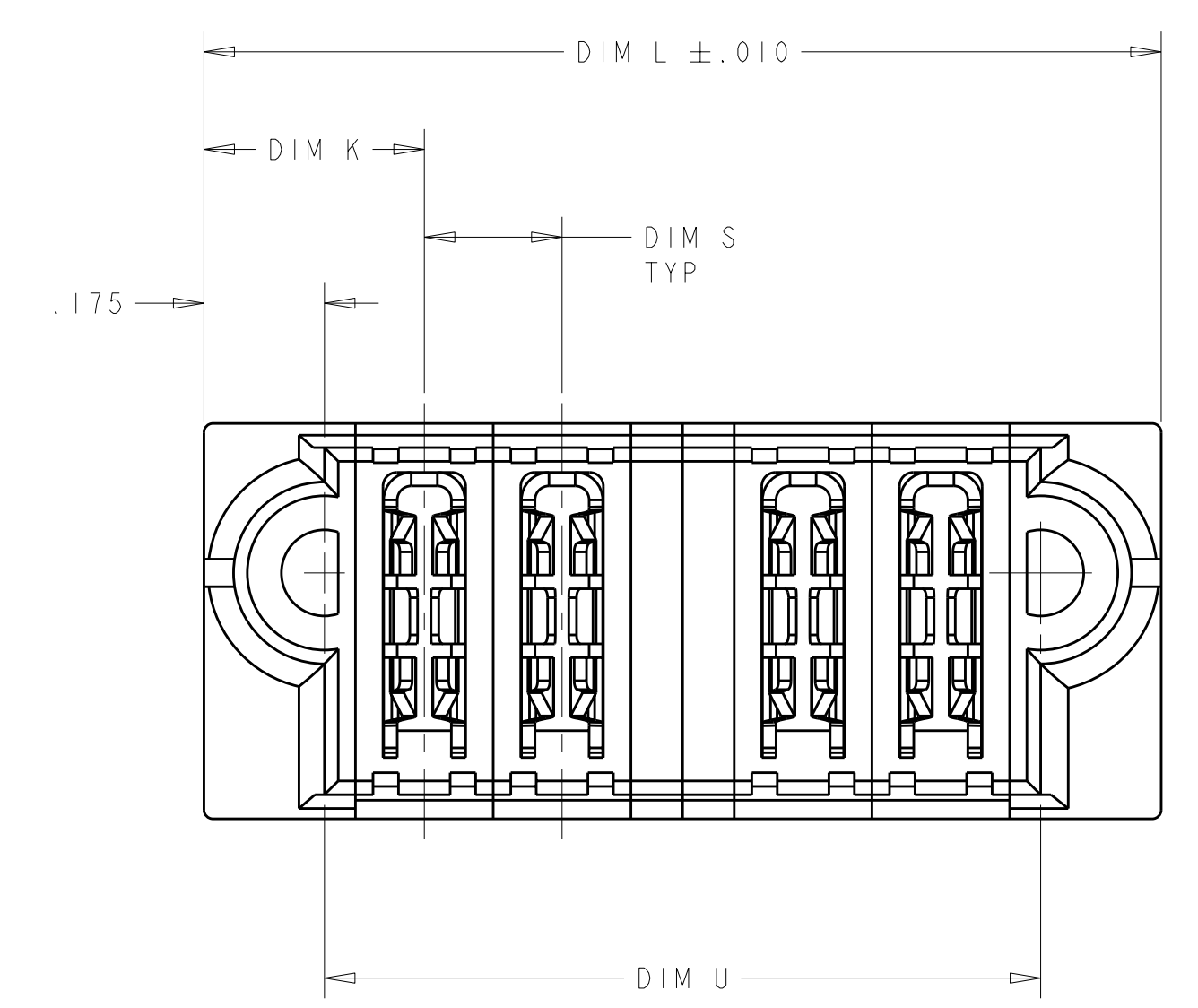
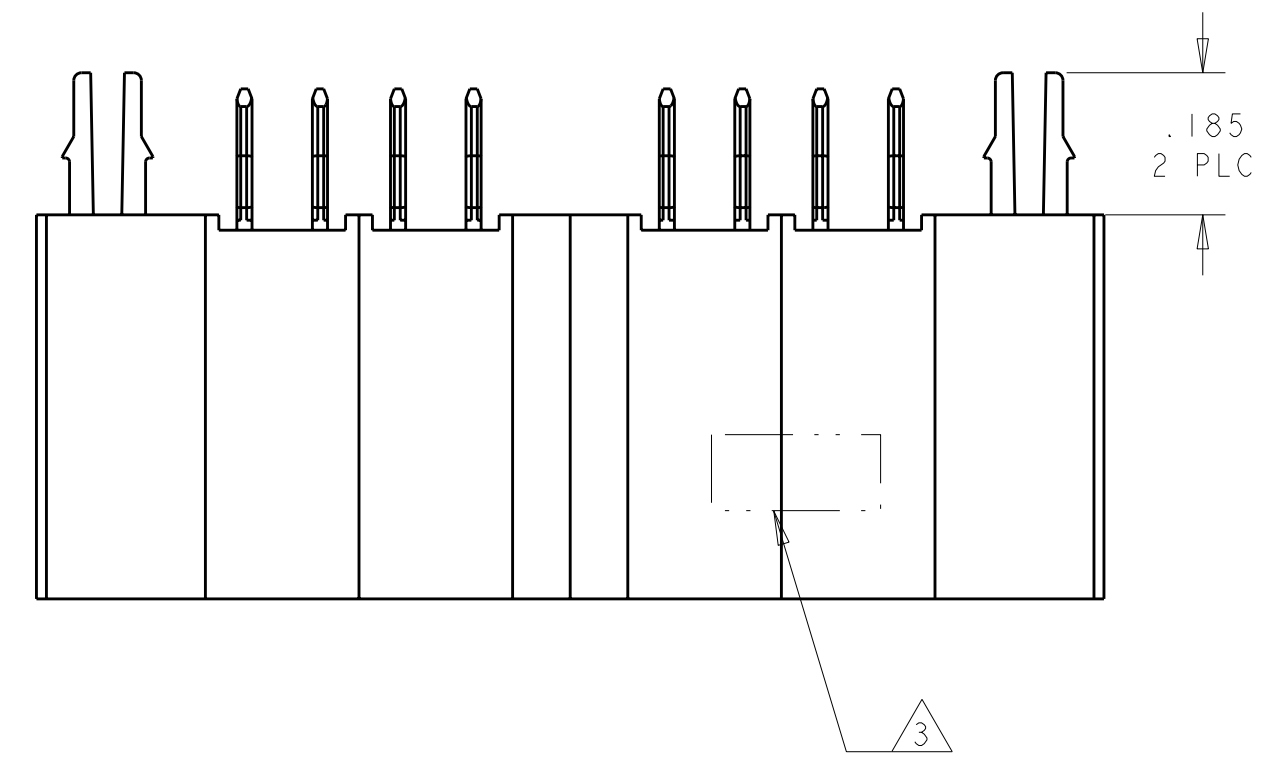


LOC	DIST	REV	DATE	BY	APPD
ES	00	A	10MAR2010	IL	SY
		DESCRIPTION			
		REV PER ECR-10-005295			



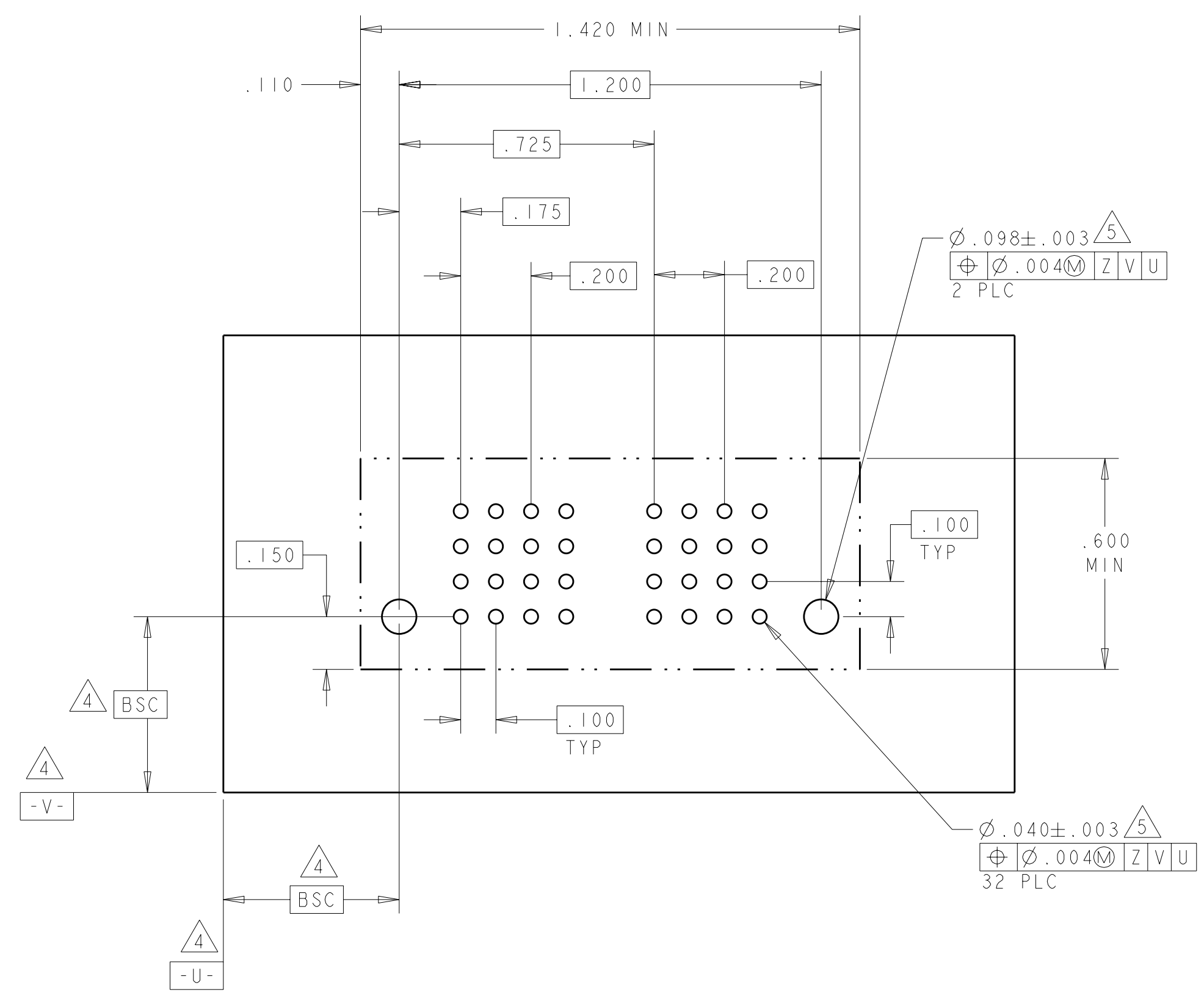
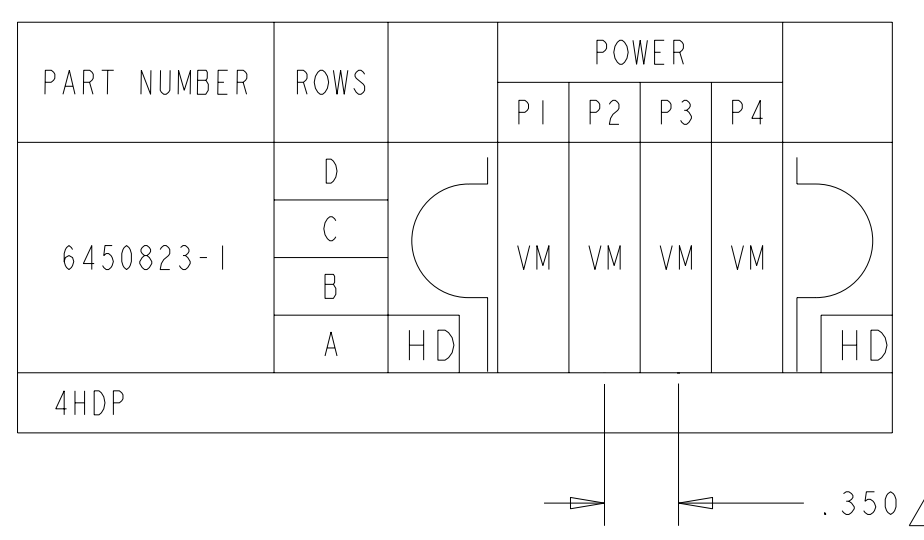
- 1 HEADER HOUSING: THERMO PLASTIC, BLACK, UL94 V-0; CONTACTS AND RETENTION CLIPS: COPPER ALLOY.
- 2 PIN CONTACTS: .000030 MIN GOLD IN MATING AREA, .000100 MIN TIN ON POST AREAS, BOTH OVER .000050 MIN NICKEL.
POWER CONTACTS: .000030 MIN GOLD IN MATING AREA, .000100 MIN TIN ON POST AREAS, BOTH OVER .000050 MIN NICKEL.
- 3 "AMP", PART NUMBER AND DATE CODE MARKED IN THIS AREA. PARTS UNDER 2.50 LONG MAY BE MARKED ON BOTH SIDES.
- 4 DATUM AND BASIC DIMENSIONS ESTABLISHED BY CUSTOMER.
- 5 PCB - ALL HOLE DIAMETERS ARE FINISHED HOLE SIZES.
- 6 A SEATING TOOL IS REQUIRED TO SEAT THE HEADER ON THE P.C. BOARD. PLEASE REFER TO THE 114-13038 APPLICATION SPEC.
- 7 MECHANICAL CONNECTOR KEEP OUT ZONE.
- 8 VARIABLE DIMENSIONS SHOWN ON VIEW.



DIM S	DIM L	DIM U	DIM K	DIM D	DESCRIPTION	PART NUMBER
.200	1.390	1.040	.320	1.200	4HDP	6450823-1

DIMENSIONS: INCHES TOLERANCES UNLESS OTHERWISE SPECIFIED: 9 PLC ±. 8 PLC ±. 5 PLC ±.005 4 PLC ±. ANGLES ±2° FINISH		DWN L. LEE CHK S. ZHAO APVD S. YAO		TOMAR2010 TOMAR2010		Tyco Electronics Corporation Shanghai, P.R.China, 200233	
MATERIAL: - FINISH: -		WEIGHT: - CUSTOMER DRAWING		NAME: VERTICAL HEADER ASSEMBLY W/ SHORT END MODULES MULTI-BEAM XLE PRODUCT SPEC: 108-1973 APPLICATION SPEC: 114-13038		SIZE: A CAGE CODE: 100779 DRAWING NO: C=6450823 RESTRICTED TO: -	
SCALE: 4:1				SHEET: 1 OF 2		REV: A	

LOC	DIST	REVISIONS					
ES	00	P	LTR	DESCRIPTION	DATE	DWN	APVD
				SEE SHEET 1			



HOLD DOWN	HD
POWER CONTACT	VM
DESCRIPTION	CODE

THIS DRAWING IS UNPUBLISHED. RELEASED FOR PUBLICATION. THIS IS SUBJECT TO CHANGE WITHOUT NOTICE. DIMENSIONS AND TOLERANCES SHOWN ARE UNLESS OTHERWISE SPECIFIED. TOLERANCES UNLESS OTHERWISE SPECIFIED: DIMENSIONS IN INCHES: 9 PLC ±.005, 8 PLC ±.005, 7 PLC ±.005, 6 PLC ±.005, 5 PLC ±.005, 4 PLC ±.005, ANGLES ±.5°. FINISH: -.

DWN: L. LEE	TOMAR2010	 Tyco Electronics Corporation Shanghai, P.R.China, 200233
CHK: S. ZHAO	TOMAR2010	
APVD: S. YAO		NAME: VERTICAL HEADER ASSEMBLY W/ SHORT END MODULES MULTI-BEAM XLE
PRODUCT SPEC: 108-1973		APPLICATION SPEC: 114-13038
SIZE: 114-13038		RESTRICTED TO: -
WEIGHT: -		SCALE: 4:1
CUSTOMER DRAWING		SHEET 2 OF 2
		REV A

X-ON Electronics

Largest Supplier of Electrical and Electronic Components

Click to view similar products for [Pin & Socket Connectors](#) category:

Click to view products by [TE Connectivity](#) manufacturer:

Other Similar products are found below :

[6450822-1](#) [770392-1](#) [794042-1](#) [796885-1](#) [8-794535-1](#) [881459-2](#) [R929993003](#) [1-350779-3](#) [1403611-1](#) [1-480349-5](#) [1586092-1](#) [1586129-1](#)
[1586487-1](#) [1586681-4](#) [1586700-1](#) [1586065-1](#) [1586077-1](#) [1586368-1](#) [1586380-1](#) [1586680-5](#) [1586681-2](#) [1604996-1](#) [16-06-0038](#) [164164-5](#) [1-](#)
[6609930-1](#) [172296-1](#) [1-794714-6](#) [19-09-2035](#) [1969804-1](#) [200503-1](#) [200788-2](#) [201046-7](#) [202648-4](#) [2029076-2](#) [2029090-4](#) [2029095-4](#) [2-](#)
[66102-6](#) [925061-7](#) [926681-1](#) [293734-4](#) [293737-2](#) [1-765362-4](#) [1-794606-3](#) [1871534-1](#) [1969795-1](#) [1969798-1](#) [1969800-1](#) [200833-4](#)
[2008625-2](#) [2029027-2](#)