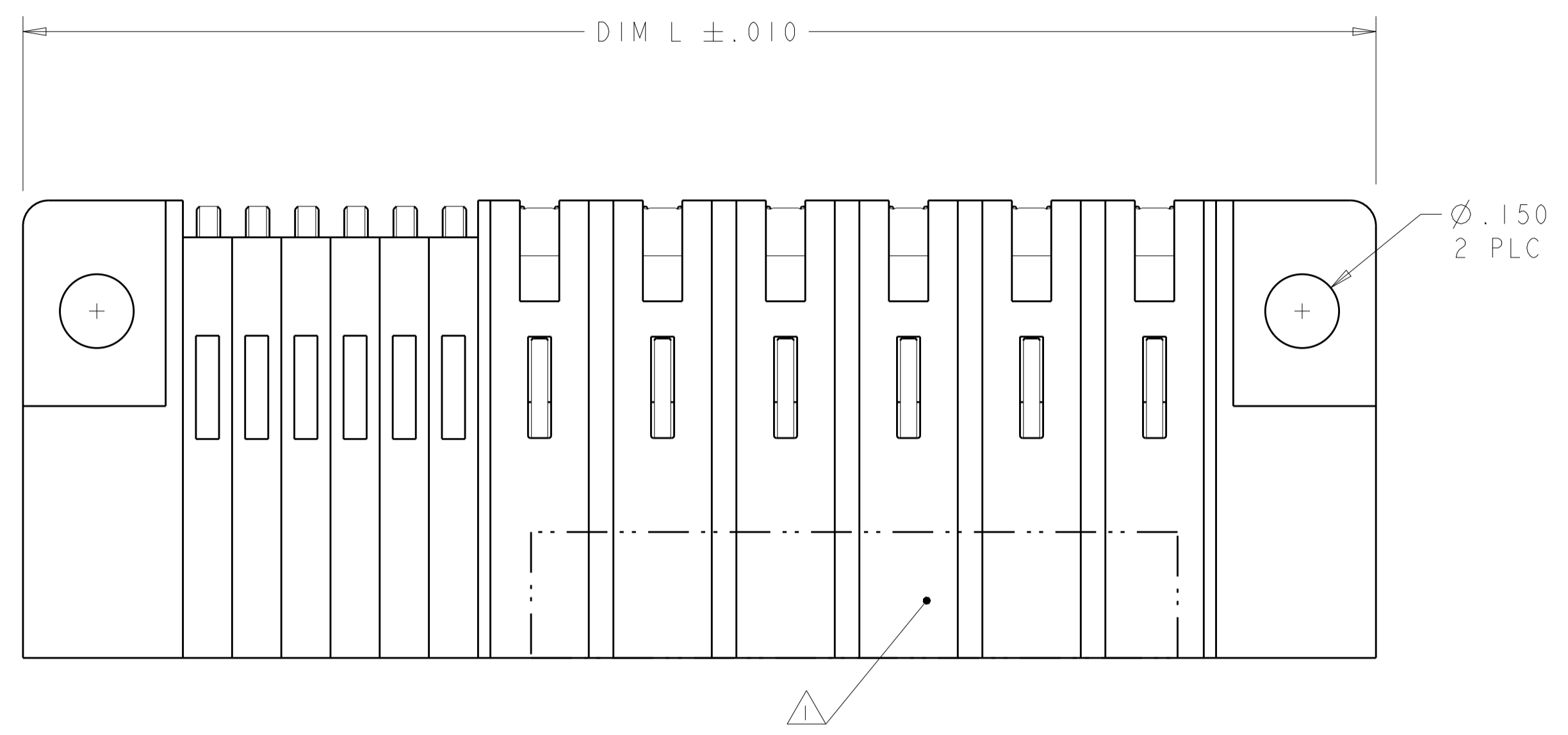
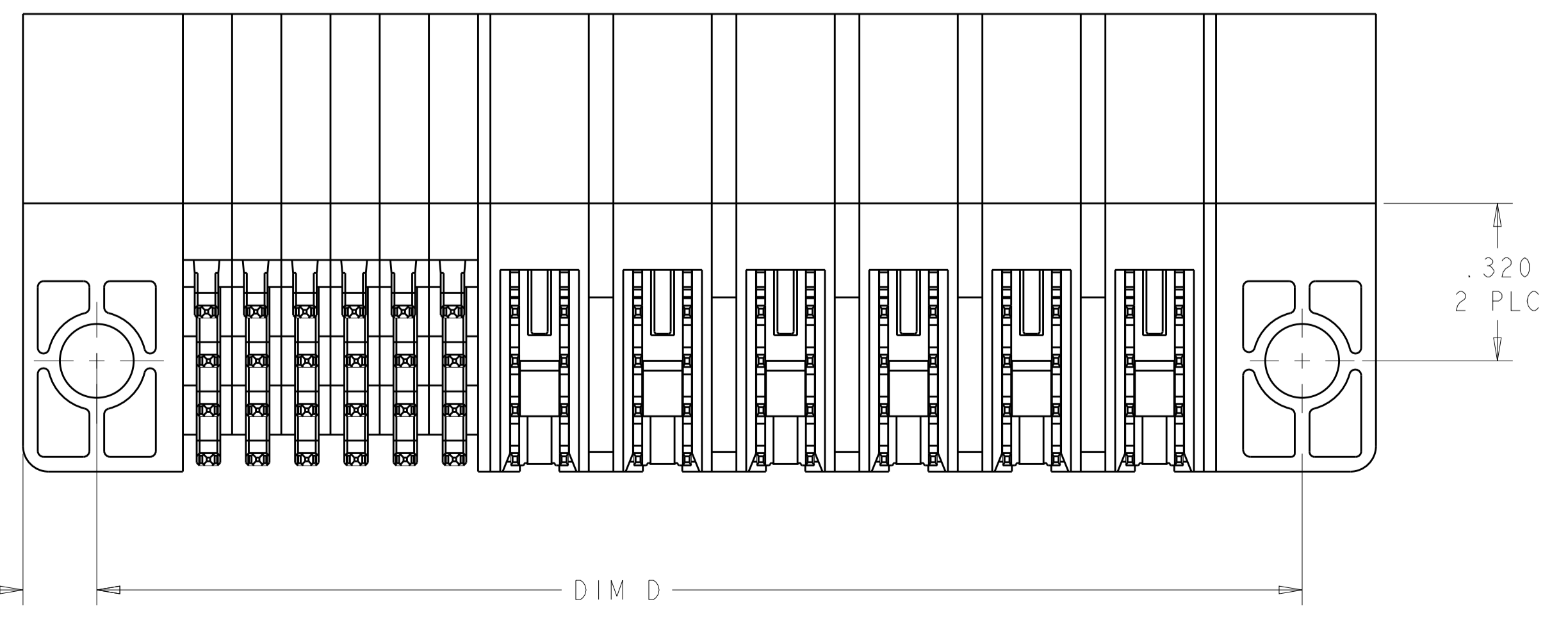
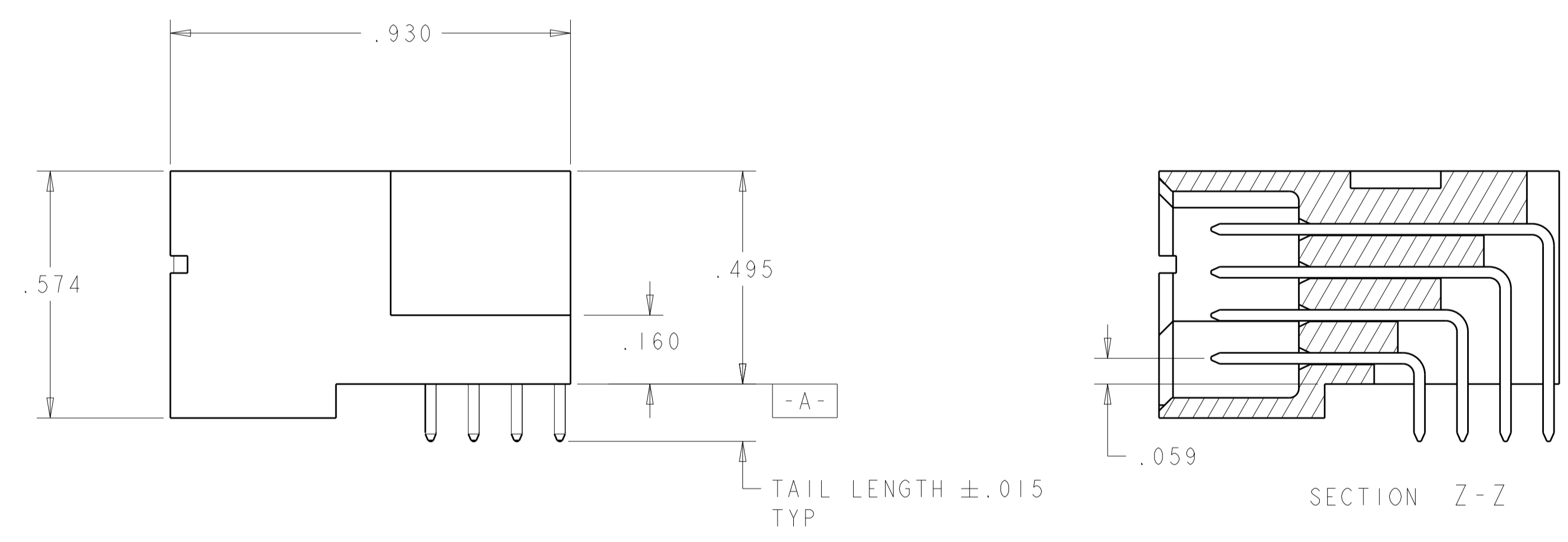
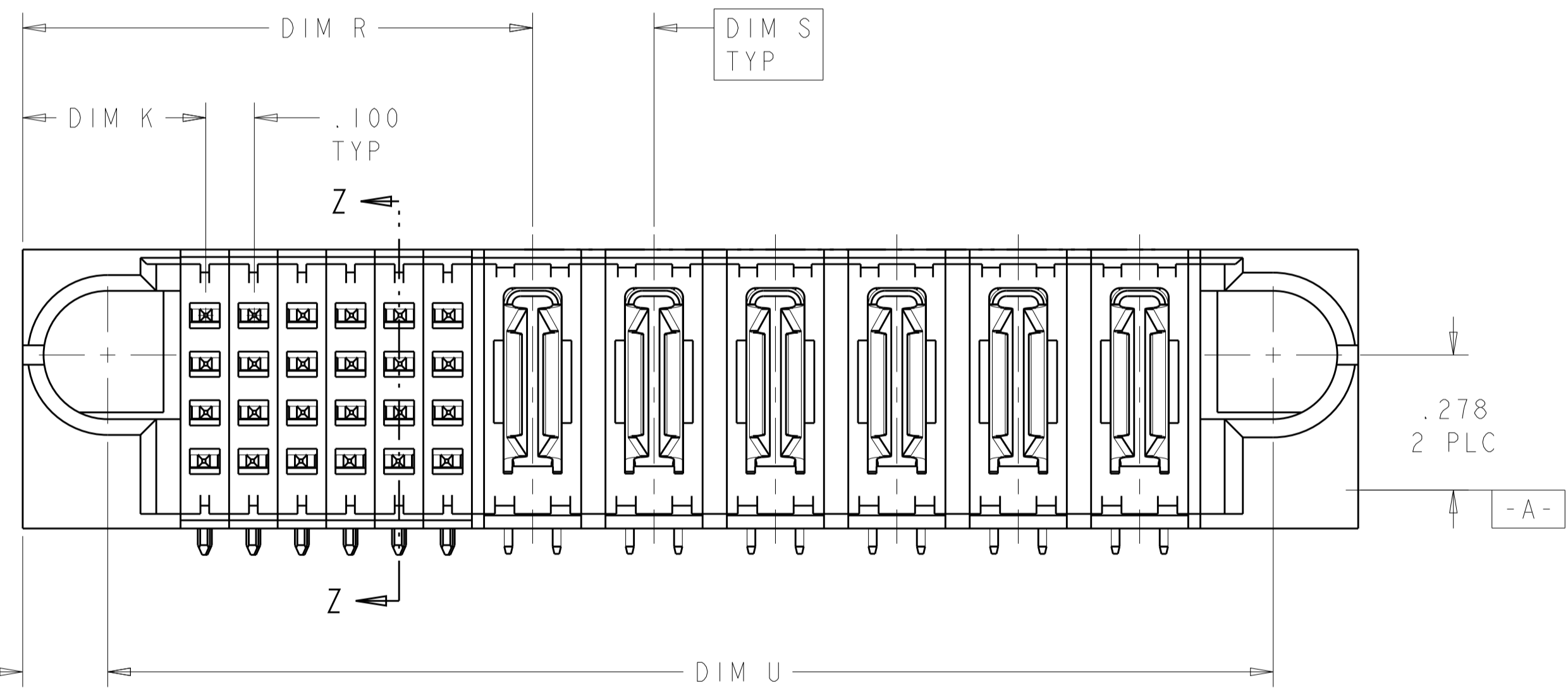


LOC		DIST		REVISIONS			
ES	00	P	LTN	DESCRIPTION	DATE	DWN	APVD
		E1		REV PER ECR-12-012550	12JUL2012	AY	SZ



- 1 "AMP" PART NUMBER AND DATE CODE TO BE MARKED IN AREA SHOWN.
- 2 MATERIAL:
HOUSING - GLASS FILLED HIGH TEMP THERMO PLASTIC, UL94 V-0
SIGNAL CONTACT - COPPER ALLOY
POWER CONTACT - HIGH CONDUCTIVITY COPPER ALLOY
- 3 CONTACT PLATING:
SIGNAL CONTACT - .000050 MIN Ni UNDER ALL .000030 MIN. Au ON CONTACT AREA, .000100 MIN Sn AT PCB INTERFACE
POWER CONTACT - .000050 MIN Ni UNDER ALL, .000030 MIN Au AT CONTACT AREA, .000100 MIN Sn AT PCB INTERFACE
- 4 MECHANICAL CONNECTOR KEEP OUT ZONE.
- 5 DATUM AND BASIC DIMENSIONS ESTABLISHED BY CUSTOMERS.
- 6 PCB - ALL HOLE DIAMETERS ARE FINISHED HOLE SIZES.
- 7 PCB - .045±.0010 DRILLED HOLES PLATED WITH .0003 MIN Sn OVER .001 TO .003 CU PLATING TO ACHIEVE A .040±.003 DIA. HOLE
- 8 NOT RELEASED FOR PRODUCTION.
- 9 VARIABLE DIMENSION SHOW ON VIEW (SHEET 3).



DIM U	DIM S	DIM R	DIM D	DIM K	DIM L	DESCRIPTION	PART NUMBER
3.400	.250	1.050	3.450	.375	3.750	24S + 10P	1-6600122-1
3.325	.200	1.050	3.375	.375	3.675	24S + 12HDP	1-6600122-0
2.600	9	1.075	2.650	.400	2.950	24S + 8P	6600122-9
2.400	.250	1.050	2.450	.375	2.750	24S + 6P	6600122-8
3.325	.200	1.050	3.375	.375	3.675	24S + 12HDP	6600122-7
2.150	.200	1.050	2.200	.375	2.500	24S + 6P	6600122-6
2.400	.250	1.050	2.450	.375	2.750	24S + 6P	6600122-5
2.400	.250	1.050	2.450	.375	2.750	24S + 6P	6600122-1

THIS DRAWING IS A CONTROLLED DOCUMENT.

DIMENSIONS: INCHES

TOLERANCES UNLESS OTHERWISE SPECIFIED:

0 PLC	±
1 PLC	±.01
2 PLC	±.01
3 PLC	±.005
4 PLC	±.0020
ANGLES	±.020

MATERIAL: 2

FINISH: 3

Customer Drawing

DWN: R. GRZYBOWSKI
CHK: M. PERCHERKE
APVD: -

PRODUCT SPEC: 108-1973
APPLICATION SPEC: 114-13038

WEIGHT: -

Customer Drawing

SCALE: 4:1

SHEET 1 OF 5

REV: E1

STE TE Connectivity

RIGHT ANGLE SOLDER HEADER ASSY, DUAL BEAM POWER CONTACT MULTI-BEAM XL

SIZE: A1
CAGE CODE: 6600122
DRAWING NO: 100779

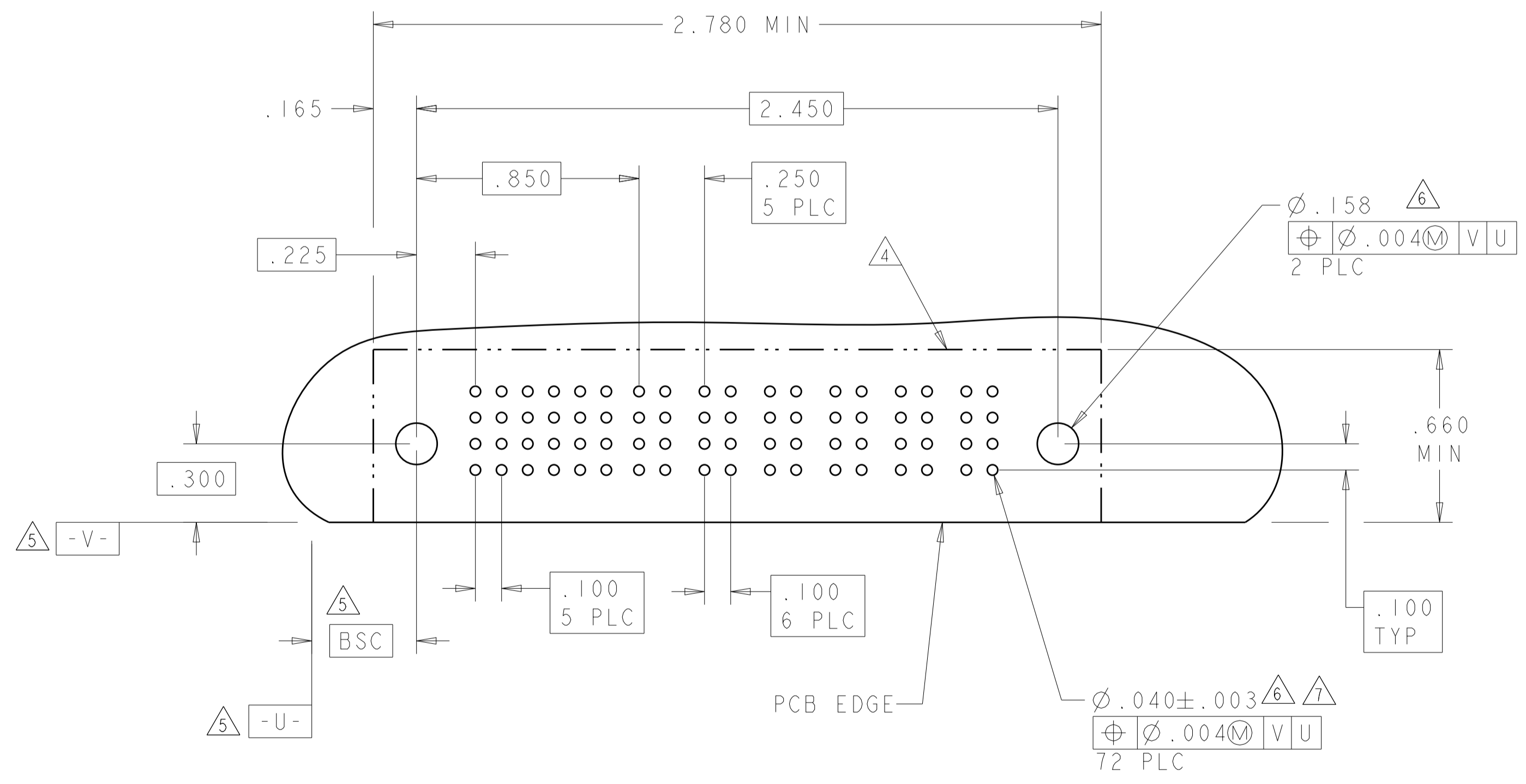
LOC	DIST	REVISIONS			
ES	00	REV	DATE	BY	APPV
		1	SEE SHEET 1		

PART NUMBER	ROWS	SIGNAL						POWER					
		1	2	3	4	5	6	P1	P2	P3	P4	P5	P6
6600122-1	D C B A	J	J	J	J	J	J	PS	PS	PS	PS	PS	PS
		K	K	K	K	K	K						
		N	N	N	N	N	N						
		H	S	S	S	S	S						
24S + 6P													

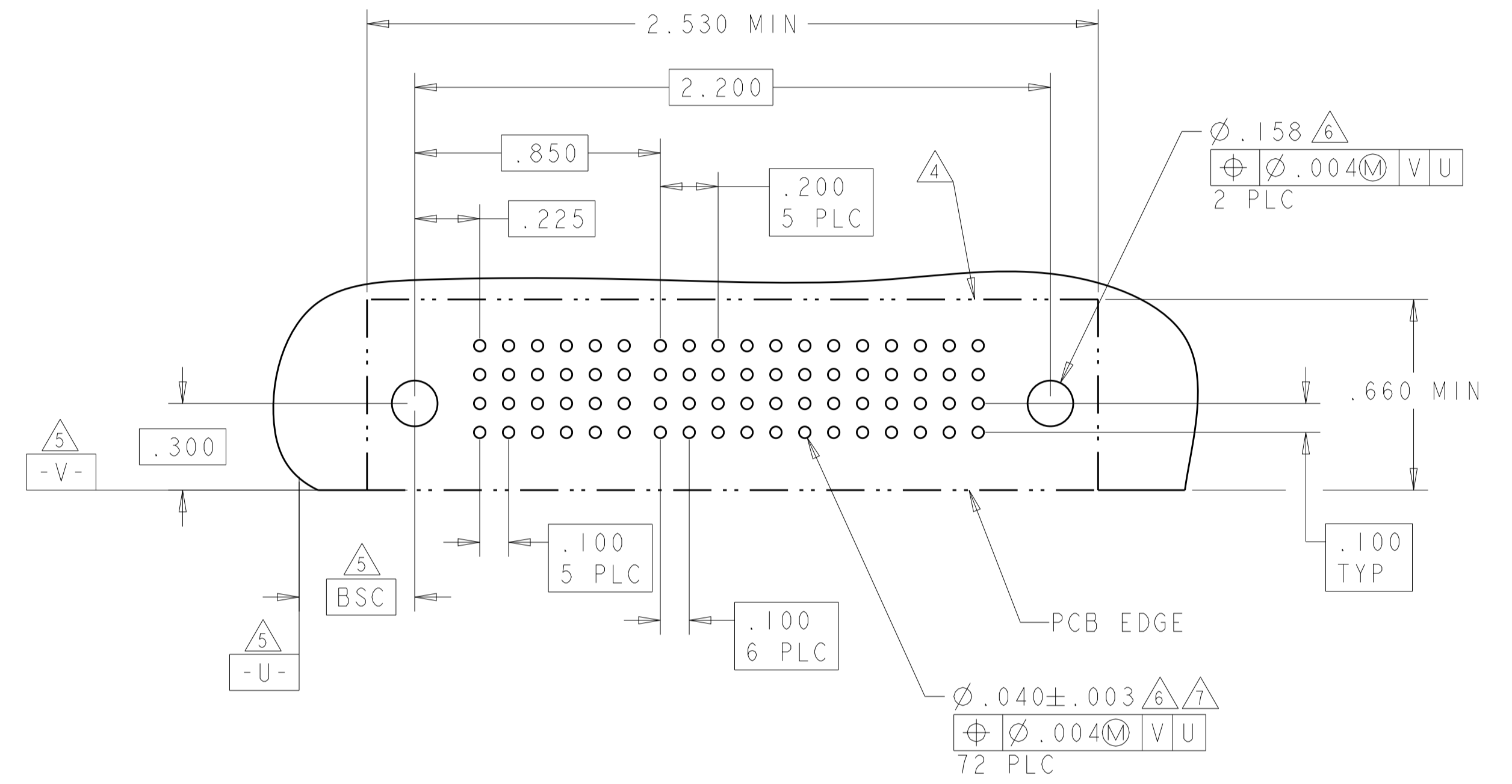
PART NUMBER	ROWS	SIGNAL						POWER					
		1	2	3	4	5	6	P1	P2	P3	P4	P5	P6
6600122-5	D C B A	J	J	J	J	J	J	PS	PS	PS	PS	PS	PS
		K	K	K	K	K	K						
		N	N	N	N	N	N						
		S	S	S	S	S	S						
24S + 6P													

PART NUMBER	ROWS	SIGNAL						POWER					
		1	2	3	4	5	6	P1	P2	P3	P4	P5	P6
6600122-8	D C B A	J	J	J	J	E	J	PS	PS	PS	PS	PS	PS
		K	K	K	K	F	K						
		N	N	N	N	G	N						
		H	S	S	S	S	S						
24S + 6P													

PART NUMBER	ROWS	SIGNAL						POWER					
		1	2	3	4	5	6	P1	P2	P3	P4	P5	P6
6600122-6	D C B A	J	J	J	J	J	J	PS	PS	PS	PS	PS	PS
		K	K	K	K	K	K						
		N	N	N	N	N	N						
		S	S	S	S	S	S						
24S + 6P													



BOTH 6600122-1 & 6600122-5 & 6600122-8 HAVE THE SAME PCB LAYOUT



CODE	TAIL LENGTH	POWER CONTACT
PS	.135	

CODE	MATING SEQUENCE	TAIL LENGTH	ROW
E	MLBF	.135	D
F	MLBF	.135	C
G	MLBF	.135	B
H	MLBF	.135	A
J	STD	.135	D
K	STD	.135	C
N	STD	.135	B
S	STD	.135	A

THIS DRAWING IS A CONTROLLED DOCUMENT. DIMENSIONS: INCHES. TOLERANCES UNLESS OTHERWISE SPECIFIED: 0 PLC ±.01, 1 PLC ±.01, 2 PLC ±.01, 3 PLC ±.01, 4 PLC ±.0020, ANGLES ±.020. MATERIAL: FINISH: .

APV: R. GRZYBOWSKI, DIMAROS; M. PERCHERKE, DIMAROS. PRODUCT SPEC: 108-1973. APPLICATION SPEC: 114-13038. WEIGHT: .

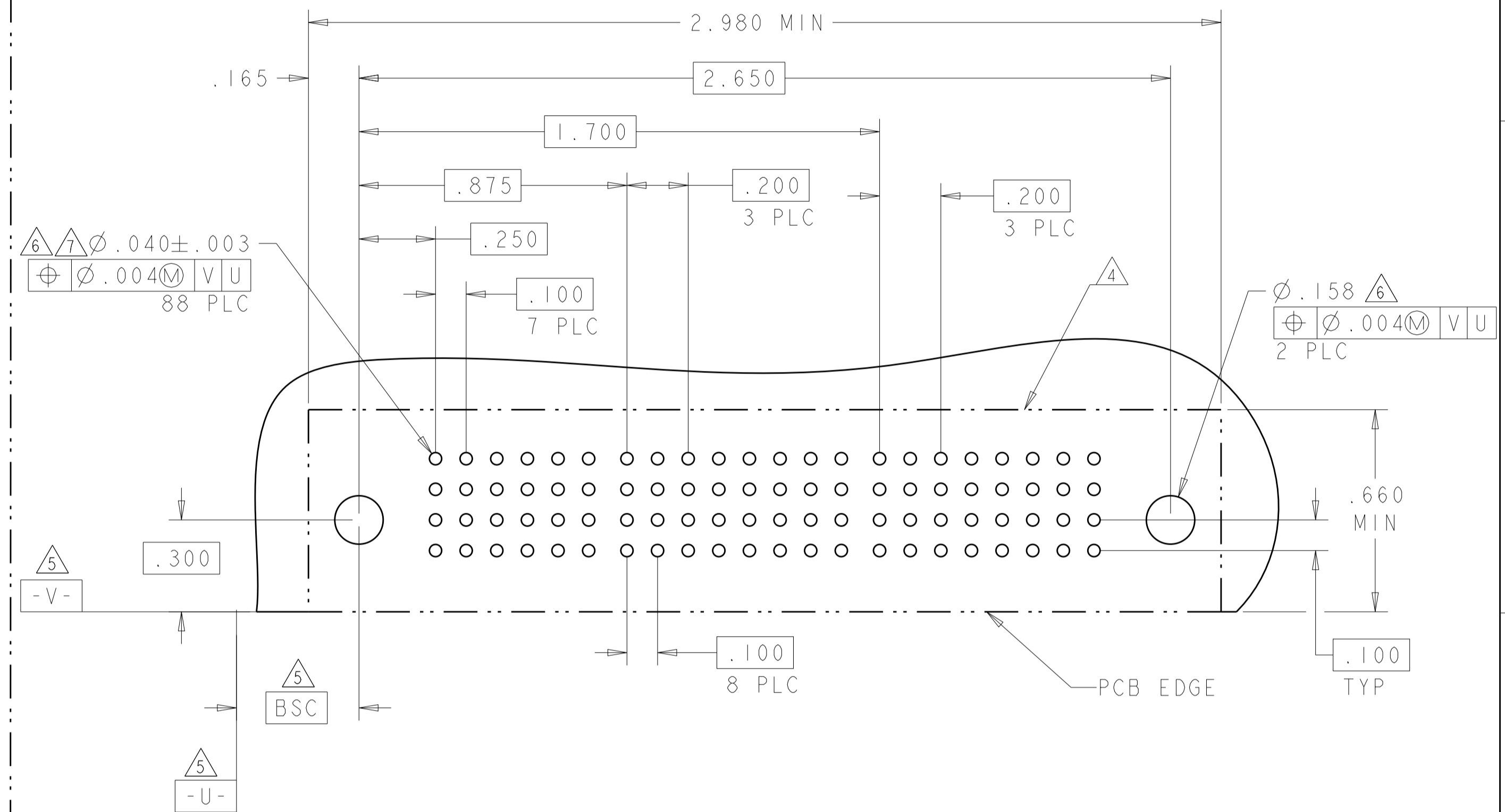
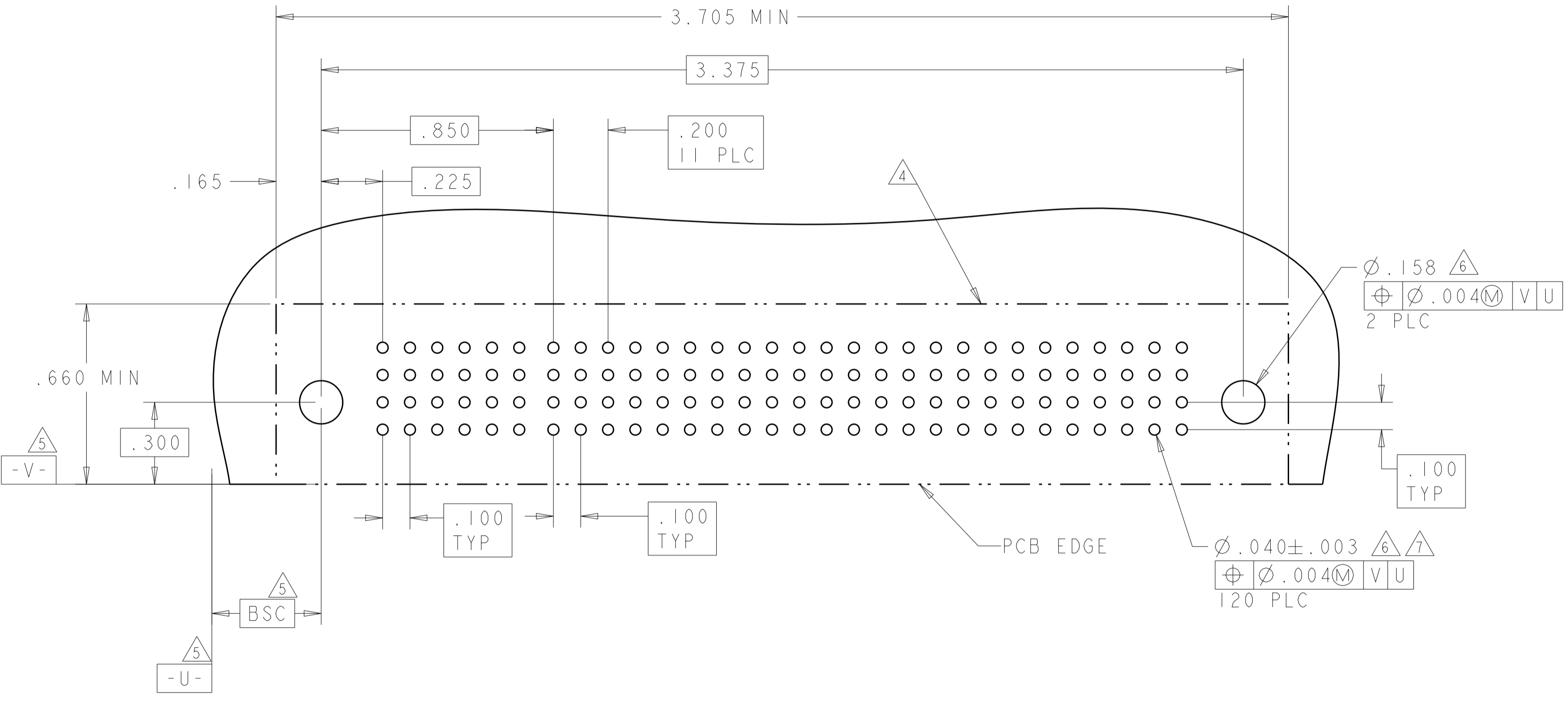
Customer Drawing. SCALE: 4:1. SHEET: 2 OF 5. REV: E1.

STE TE Connectivity. NAME: RIGHT ANGLE SOLDER HEADER ASSY, DUAL BEAM POWER CONTACT MULTI-BEAM XL. SIZE: A100779. CAGE CODE: 6600122.

LOC	DIST	REVISIONS			
P	LTN	DESCRIPTION	DATE	DMN	APVD
ES	00	SEE SHEET 1			

PART NUMBER	ROWS	SIGNAL						POWER													
		1	2	3	4	5	6	P1	P2	P3	P4	P5	P6	P7	P8	P9	P10	P11	P12		
6600122-7	D C B A	J	J	J	J	J	J	PS	PS	PS	PS	PS	PS	PS	PS	PS	PS	PS	PS	PS	
		K	K	K	K	K	K														
		N	N	N	N	N	N														
		S	S	S	S	S	S														
24S + 12HDP																					

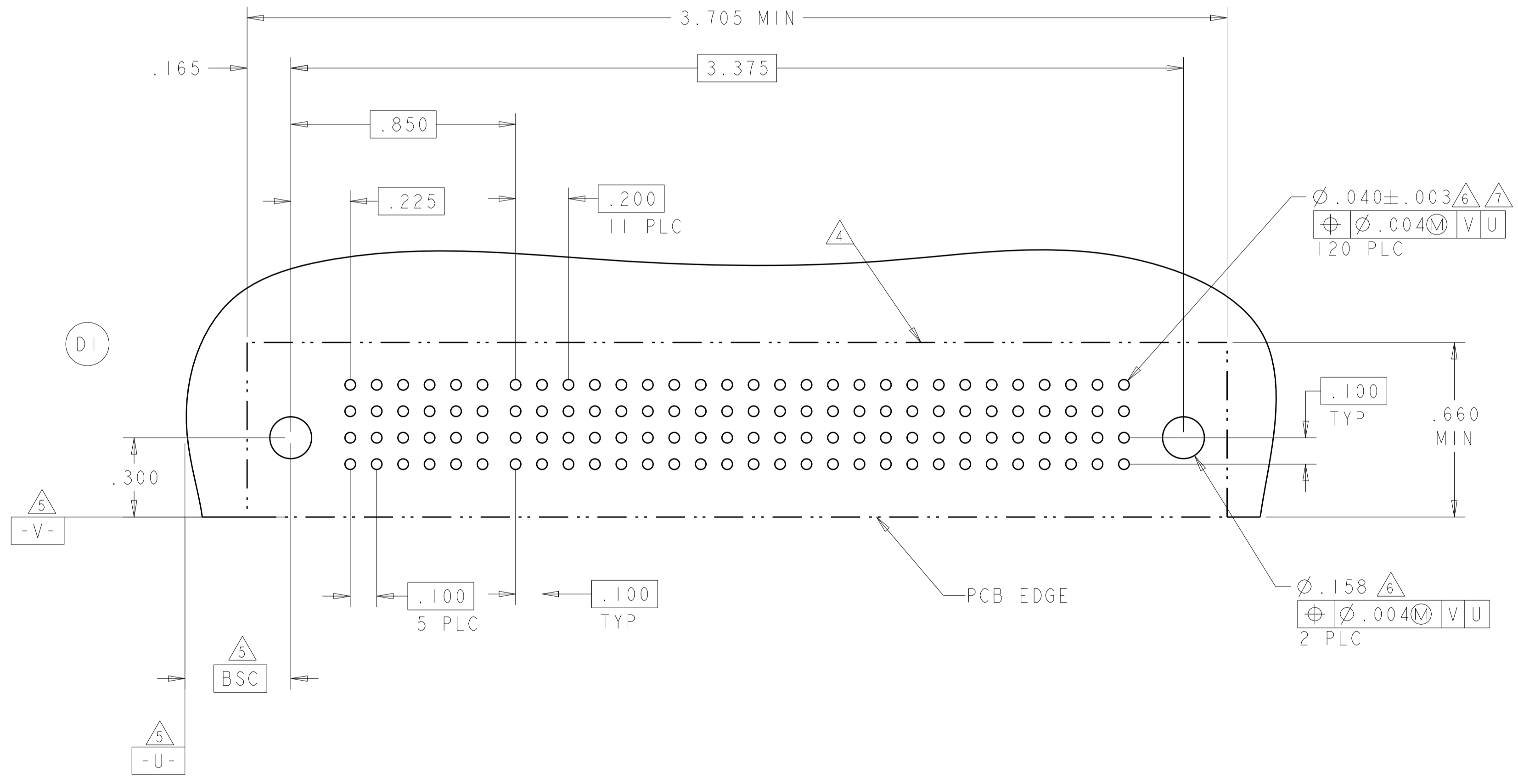
ASSY PART NUMBER	ROWS	SIGNAL						POWER							
		1	2	3	4	5	6	P1	P2	P3	P4	P5	P6	P7	P8
6600122-9	D C B A	J	J	J	J	J	J	PS	PS	PS	PS	PS	PS	PS	PS
		K	K	K	K	K	K								
		N	N	N	N	N	N								
		S	S	S	S	S	S								
24S + 8P															



THIS DRAWING IS A CONTROLLED DOCUMENT.		DMN: R. GRZYBOWSKI	DMAROS	STE TE Connectivity
DIMENSIONS: INCHES		CHK: M. PERCHERKE	DMAROS	
TOLERANCES UNLESS OTHERWISE SPECIFIED:		NAME: RIGHT ANGLE SOLDER HEADER ASSY, DUAL BEAM POWER CONTACT MULTI-BEAM XL		
0 PLC ± .01		PRODUCT SPEC: 108-1973		
1 PLC ± .01		APPLICATION SPEC: 114-13038		
2 PLC ± .01		SIZE: A1		
3 PLC ± .005		CAGE CODE: 00779		
4 PLC ± .002		DRAWING NO: 6600122		
ANGLES ± .020		RESTRICTED TO: -		
FINISH: -		WEIGHT: -		
MATERIAL: -		Customer Drawing		
		SCALE: 4:1		
		SHEET 3 OF 5		
		REV: E1		

LOC	DIST	REVISIONS					
		P	LTH	DESCRIPTION	DATE	DWN	APVD
ES	00	-	-	SEE SHEET 1	-	-	-

PART NUMBER	ROWS	SIGNAL						POWER													
		1	2	3	4	5	6	PI1	P2	P3	P4	P5	P6	P7	P8	P9	PI0	PI1	PI2		
1-6600122-0	D C B A	J	J	J	J	J	E	PS	PS	PS	PS	PS	PS	PS	PS	PS	PS	PS	PS	PS	
		K	K	K	F	K	K														
		N	N	N	G	N	N														
		S	H	S	H	S															
24S + 12HDP																					



THIS DRAWING IS A CONTROLLED DOCUMENT. DWN: R. GRZYBOWSKI, DIMAROS; CHK: M. PERCHERKE, DIMAROS; APVD: -

DIMENSIONS: INCHES. TOLERANCES UNLESS OTHERWISE SPECIFIED: 0 PLC ±.01, 1 PLC ±.01, 2 PLC ±.01, 3 PLC ±.005, 4 PLC ±.002, ANGLES ±.2°.

PRODUCT SPEC: 108-1973. APPLICATION SPEC: 114-13038. WEIGHT: -. MATERIAL: -. FINISH: -. CUSTOMER DRAWING.

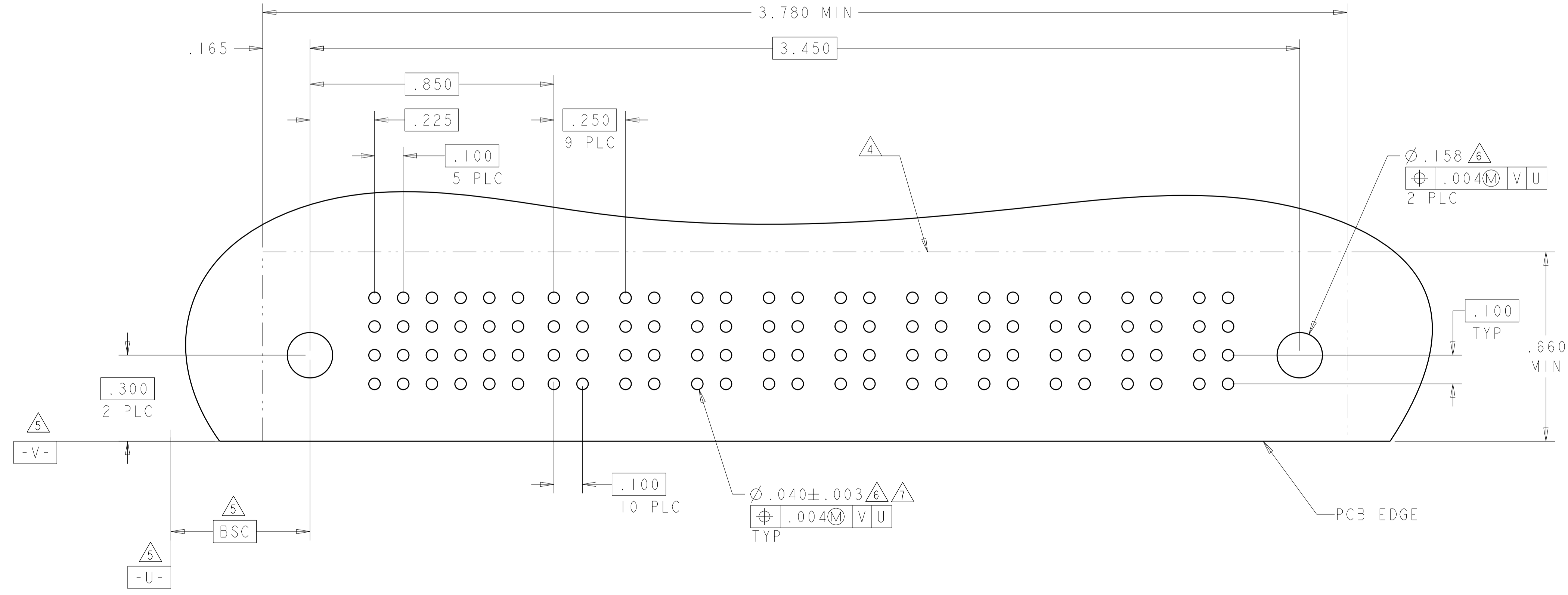
NAME: RIGHT ANGLE SOLDER HEADER ASSY, DUAL BEAM POWER CONTACT MULTI-BEAM XL. SIZE: A1. CAGE CODE: 00779. DRAWING NO: 6600122. RESTRICTED TO: -. SCALE: 4:1. SHEET: 4 OF 5. REV: E1.

STE TE Connectivity

LOC	DIST	REVISIONS			
P	LTN	DESCRIPTION	DATE	DWN	APVD
-	-	SEE SHEET 1	-	-	-

PART NUMBER	ROWS	SIGNAL						POWER									
		1	2	3	4	5	6	P1	P2	P3	P4	P5	P6	P7	P8	P9	P10
1-6600122-1	D	J	J	J	J	J	J	PS	PS	PS	PS	PS	PS	PS	PS	PS	PS
	C	K	K	K	K	K	K	PS	PS	PS	PS	PS	PS	PS	PS	PS	PS
	B	N	N	N	N	N	N	PS	PS	PS	PS	PS	PS	PS	PS	PS	PS
	A	S	S	S	S	S	S	PS	PS	PS	PS	PS	PS	PS	PS	PS	PS
24S + 10P																	

(E1)



THIS DRAWING IS A CONTROLLED DOCUMENT.		DWN: R. GRZYBOWSKI CHK: M. PERCZERKE	01MAR05 -IMAR05	 TE Connectivity
DIMENSIONS: INCHES	TOLERANCES UNLESS OTHERWISE SPECIFIED:	APVD: -	NAME: -	
0 PLC ±. 1 PLC ±.01 2 PLC ±.01 3 PLC ±.005 4 PLC ±.0020 ANGLES ±.7°	PRODUCT SPEC: 108-1973 APPLICATION SPEC: 114-13038 WEIGHT: -	RIGHT ANGLE SOLDER HEADER ASSY, DUAL BEAM POWER CONTACT MULTI-BEAM XL		
MATERIAL: -	FINISH: -	SIZE: A1	CAGE CODE: 00779	DRAWING NO: C=6600122
Customer Drawing		SCALE: 4:1	SHEET: 5	OF: 5

X-ON Electronics

Largest Supplier of Electrical and Electronic Components

Click to view similar products for [Power to the Board](#) category:

Click to view products by [TE Connectivity](#) manufacturer:

Other Similar products are found below :

[10131318-08512GRLF](#) [6450171-4](#) [6450552-7](#) [6600323-8](#) [6643429-1](#) [6646040-2](#) [6651939-1](#) [6766604-1](#) [120959-1](#) [1393557-2](#) [1393532-2](#)
[1393532-3](#) [1393532-4](#) [1393557-1](#) [1600812-5](#) [1-6450861-2](#) [1645595-1](#) [1743490-1](#) [1744132-7](#) [1761122-1](#) [1766169-1](#) [1766250-1](#) [18362](#)
[1892109-1](#) [1-967627-6](#) [2226808-1](#) [2-6450860-5](#) [2-6450860-6](#) [2-6450870-0](#) [93003-0502](#) [953552-1](#) [1-6450161-4](#) [1-6450850-6](#) [1645526-2](#) [1-](#)
[6600130-0](#) [1743419-1](#) [1766150-1](#) [2005243-2](#) [211110-1](#) [2-6600130-2](#) [TE34-12-16P-F0](#) [5-6450830-6](#) [5646956-4](#) [36662-0005](#) [40585-3000](#) [4-](#)
[6450830-9](#) [4-6600333-3](#) [51142-0214](#) [10134048-911LF](#) [10130248-005LF](#)