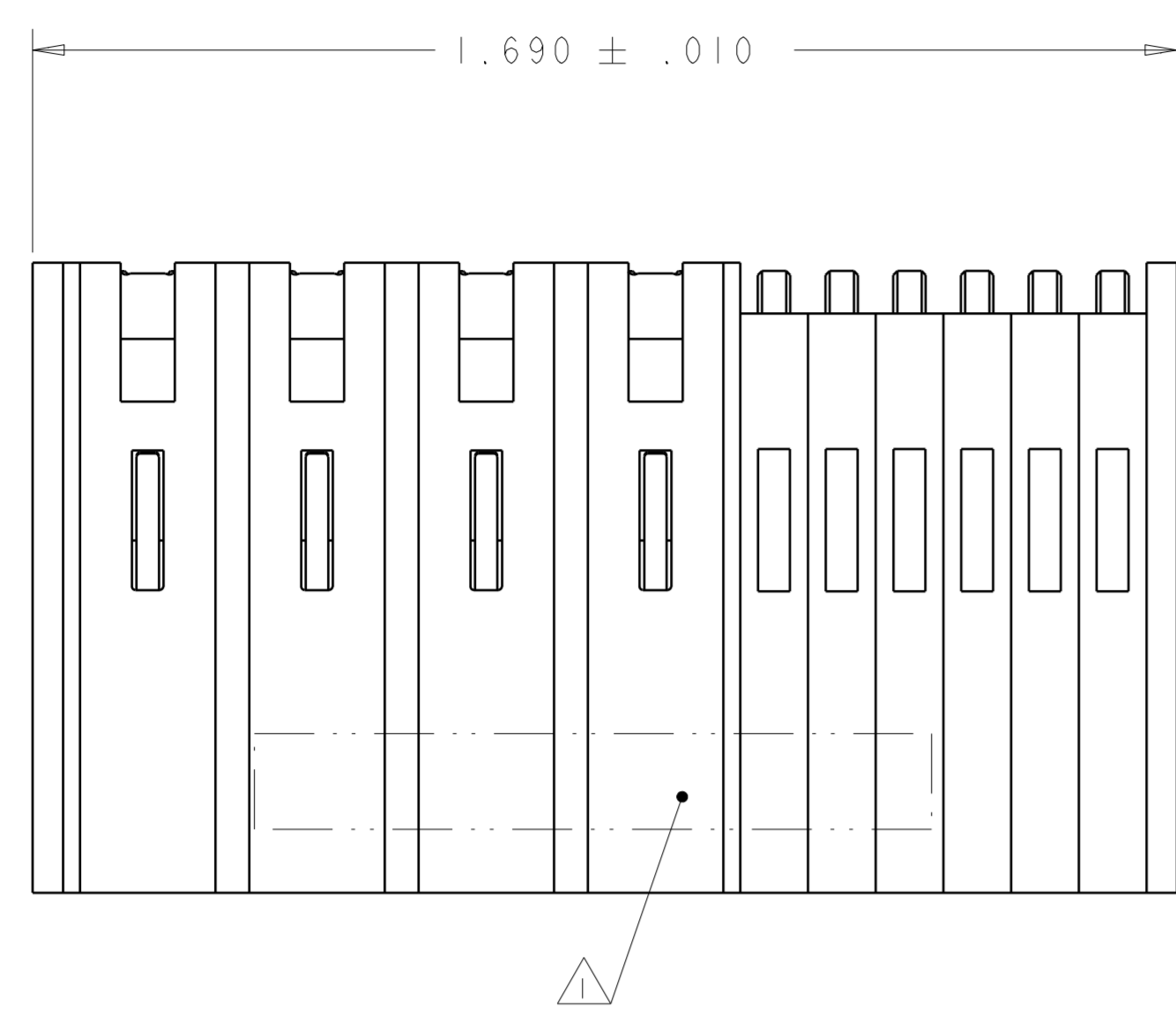
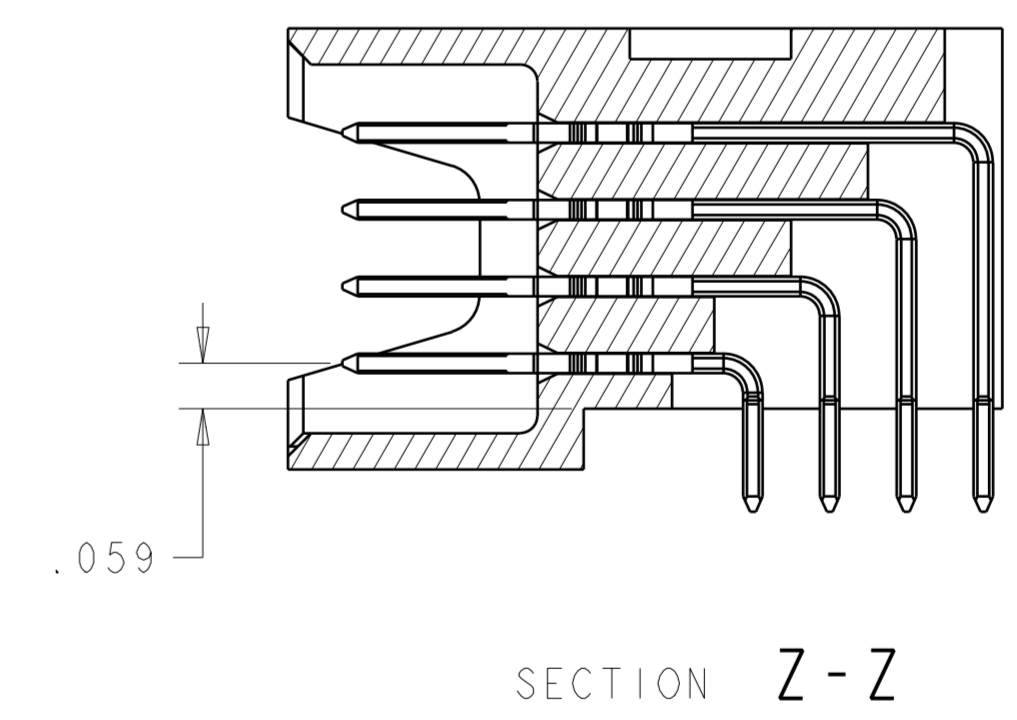
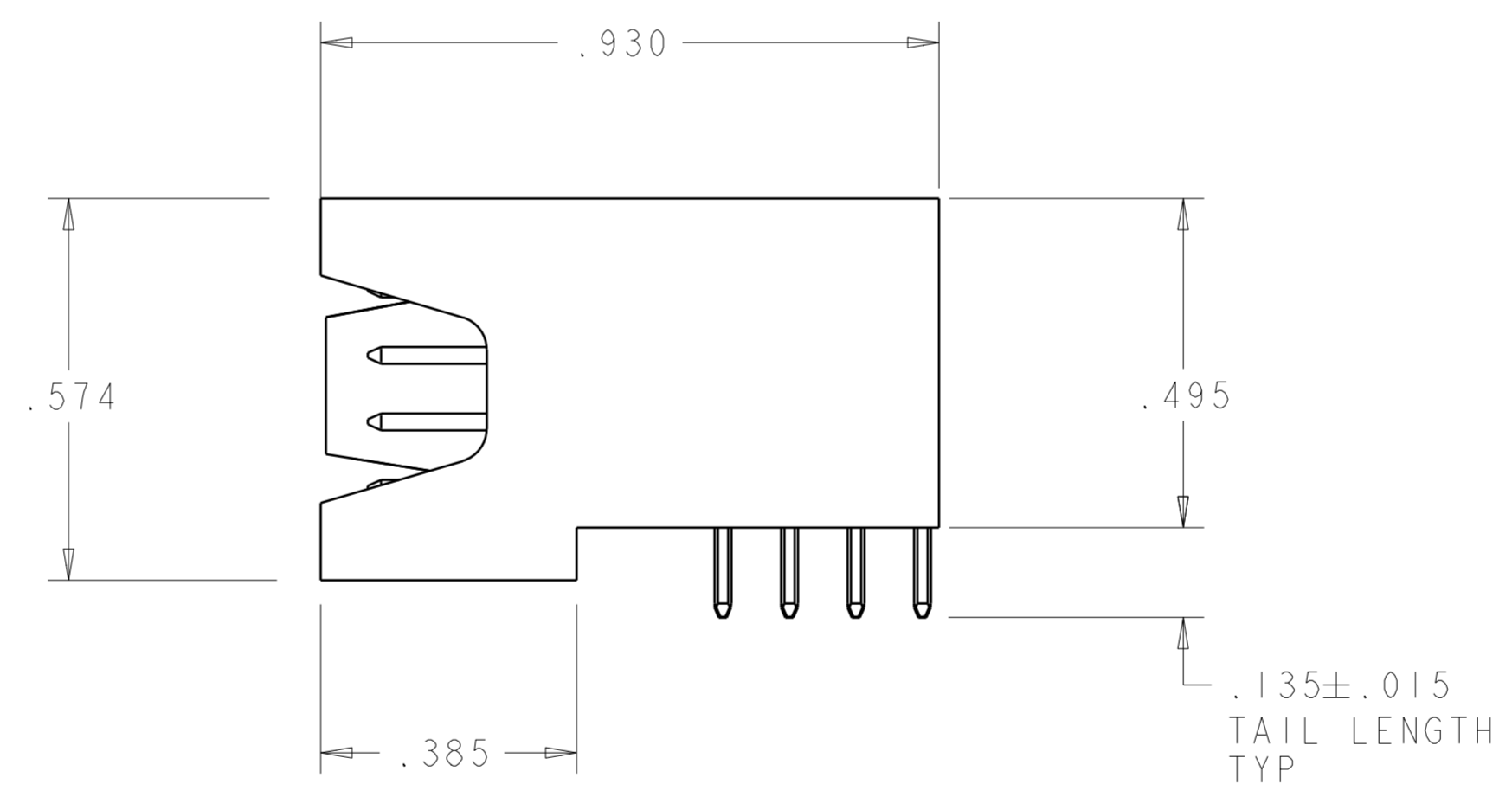
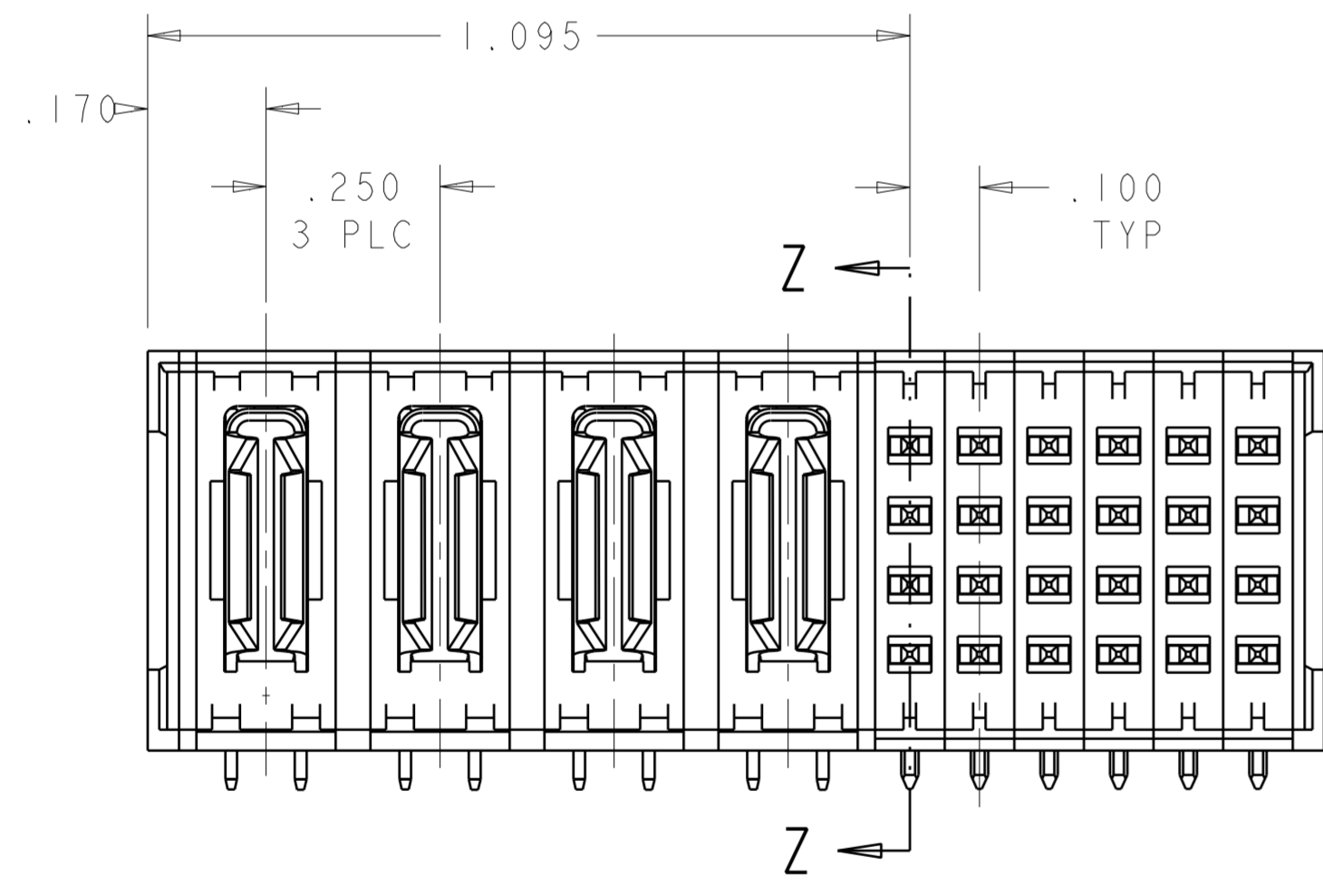


LOC	DIST	REVISIONS			
ES	00	REV	DESCRIPTION	DATE	BY
		A	REV PER ECR-07-010714	16MAY2007	DZ SY
		A1	REVISED	16MAY2007	DZ SY



- 1 PART NUMBER, AND DATE CODE MARKED IN AREA SHOWN. MARKING ON BOTH SIDES PERMITTED.
- 2 MATERIAL:  
 HOUSING - GLASS FILLED HIGH TEMP THERMO PLASTIC, UL94 V-0  
 SIGNAL CONTACT - COPPER ALLOY  
 POWER CONTACT - HIGH CONDUCTIVITY COPPER ALLOY
- 3 CONTACT PLATING:  
 SIGNAL CONTACTS - .000050 MIN Ni UNDER ALL.  
 .000030 MIN Au ON CONTACT AREA.  
 .000100 MIN Sn AT PCB INTERFACE.  
 POWER CONTACTS - .000050 MIN Ni UNDER ALL.  
 .000030 MIN Au ON CONTACT AREA.  
 .000100 MIN Sn AT PCB INTERFACE.
- 4 MECHANICAL CONNECTOR KEEP OUT ZONE.
- 5 DATUM AND BASIC DIMENSIONS ESTABLISHED BY CUSTOMER.
- 6 PCB - ALL HOLE DIAMETERS ARE FINISHED HOLE SIZES.
- 7 PCB - .0453±.0010 DRILLED HOLES PLATED WITH .0003 MIN Sn OVER .001 TO .003 Cu PLATING TO ACHIEVE A .040 HOLE.

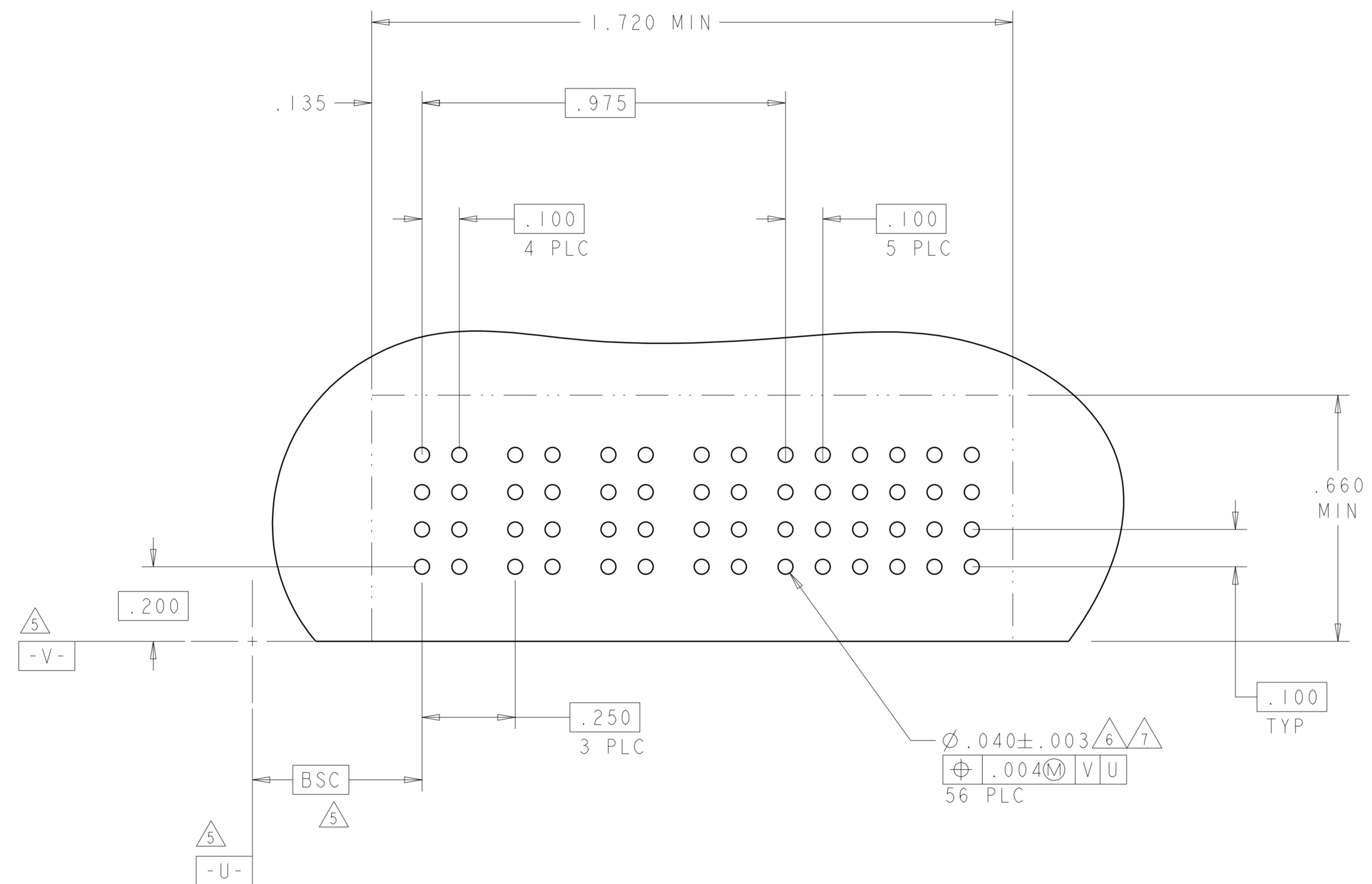


4P + 24S	6600150-1
DESCRIPTION	PART NUMBER

THIS DRAWING IS A CONTROLLED DOCUMENT FOR TYCO ELECTRONICS CORPORATION. IT IS SUBJECT TO CHANGE AND THE CONTROLLING ENGINEERING DEPARTMENT SHOULD BE CONTACTED FOR THE LATEST REVISION.		DWN: D. ZHU CHK: S. ZHAO 16MAY2007	NAME: S. YAO PRODUCT SPEC: 108-1973 APPLICATION SPEC: 114-13038	Tyco Electronics Incorporated Shanghai, P.R. China, 200233
DIMENSIONS: INCHES 	TOLERANCES, UNLESS OTHERWISE SPECIFIED: 0 PLC ± 1 PLC ± 2 PLC ±.01 3 PLC ±.005 4 PLC ±.0020 ANGLES ±°	APVD: S. YAO DATE: 16MAY2007	SIZE: A1 CASE CODE: 00779 DRAWING NO: C=6600150	RESTRICTED TO: - WEIGHT: - SCALE: 4:1 SHEET: 1 OF 2 REV: A1
MATERIAL: 2		FINISH: 3		CUSTOMER DRAWING

LOC	DIST	REVISIONS			
ES	00	REV	DATE	BY	APPD
		1			
		2			
		3			
		4			
		5			
		6			
		7			
		8			
		9			
		10			

PART NUMBER	ROWS	POWER				SIGNAL					
		P1	P2	P3	P4	1	2	3	4	5	6
6600150-1	D	PS	PS	PS	PS	J	J	J	J	J	E
	K					K	K	K	K	K	
	N					N	N	N	N	N	
	H					S	S	S	S	S	
4P + 24S											



MATING SEQUENCE	DESCRIPTION	IDENTIFIER
MLBF	SIGNAL CONTACT, R/A HDR, ROW D	E
MLBF	SIGNAL CONTACT, R/A HDR, ROW A	H
-	HOUSING, RIGHT ANGLE HEADER, MULTI-BEAM XL	HOUSING
STD	SIGNAL CONTACT, R/A HDR, STD, MB XL, ROW D	J
STD	SIGNAL CONTACT, R/A HDR, STD, MB XL, ROW C	K
STD	SIGNAL CONTACT, R/A HDR, STD, MB XL, ROW B	N
STD	SIGNAL CONTACT, R/A HDR, STD, MB XL, ROW A	S
-	CONTACT, DUAL BEAM, R/A HDR, .135 LEG, MB XL	PS

<small>THIS DRAWING IS A CONTROLLED DOCUMENT FOR TYCO ELECTRONICS CORPORATION. IT IS SUBJECT TO CHANGE AND THE CONTROLLING AND REVISION INFORMATION SHOULD BE CONTACTED FOR THE LATEST REVISION.</small>		DWN: 16MAY2007 D. ZHU CHK: 16MAY2007 S. ZHAO APVD: S. YAO NAME: RIGHT ANGLE HEADER ASSEMBLY W/O GUIDES, DUAL BEAM POWER CONTACTS, MULTI-BEAM XL PRODUCT SPEC: - APPLICATION SPEC: - WEIGHT: - SCALE: 4:1	Tyco Electronics Incorporated Shanghai, P.R. China, 200233 RESTRICTED TO: - SIZE: A1 CASE CODE: 00779 DRAWING NO: C-6600150 SHEET: 2 OF 2 REV: A1
DIMENSIONS: INCHES 	TOLERANCES UNLESS OTHERWISE SPECIFIED: 0 PLC ± 1 PLC ± 2 PLC ±.01 3 PLC ±.005 4 PLC ±.0020 ANGLES ±30°	MATERIAL: - FINISH: -	CUSTOMER DRAWING

## X-ON Electronics

Largest Supplier of Electrical and Electronic Components

*Click to view similar products for [Power to the Board](#) category:*

*Click to view products by [TE Connectivity](#) manufacturer:*

Other Similar products are found below :

[10131318-08512GRLF](#) [6450171-4](#) [6450552-7](#) [6600323-8](#) [6643429-1](#) [6646040-2](#) [6651939-1](#) [6766604-1](#) [120959-1](#) [1393557-2](#) [1393532-2](#)  
[1393532-3](#) [1393532-4](#) [1393557-1](#) [1600812-5](#) [1-6450861-2](#) [1645595-1](#) [1743490-1](#) [1744132-7](#) [1761122-1](#) [1766169-1](#) [1766250-1](#) [18362](#)  
[1892109-1](#) [1-967627-6](#) [2226808-1](#) [2-6450860-5](#) [2-6450860-6](#) [2-6450870-0](#) [93003-0502](#) [953552-1](#) [1-6450161-4](#) [1-6450850-6](#) [1645526-2](#) [1-](#)  
[6600130-0](#) [1743419-1](#) [1766150-1](#) [2005243-2](#) [211110-1](#) [2-6600130-2](#) [TE34-12-16P-F0](#) [5-6450830-6](#) [5646956-4](#) [36662-0005](#) [40585-3000](#) [4-](#)  
[6450830-9](#) [4-6600333-3](#) [51142-0214](#) [10134048-911LF](#) [10130248-005LF](#)