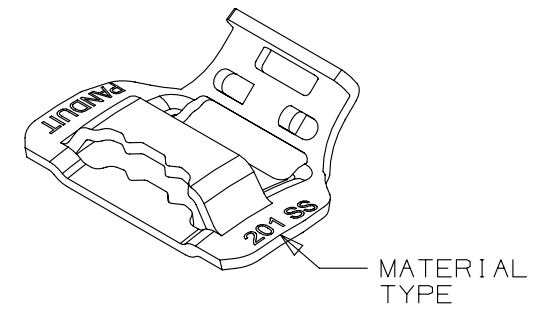
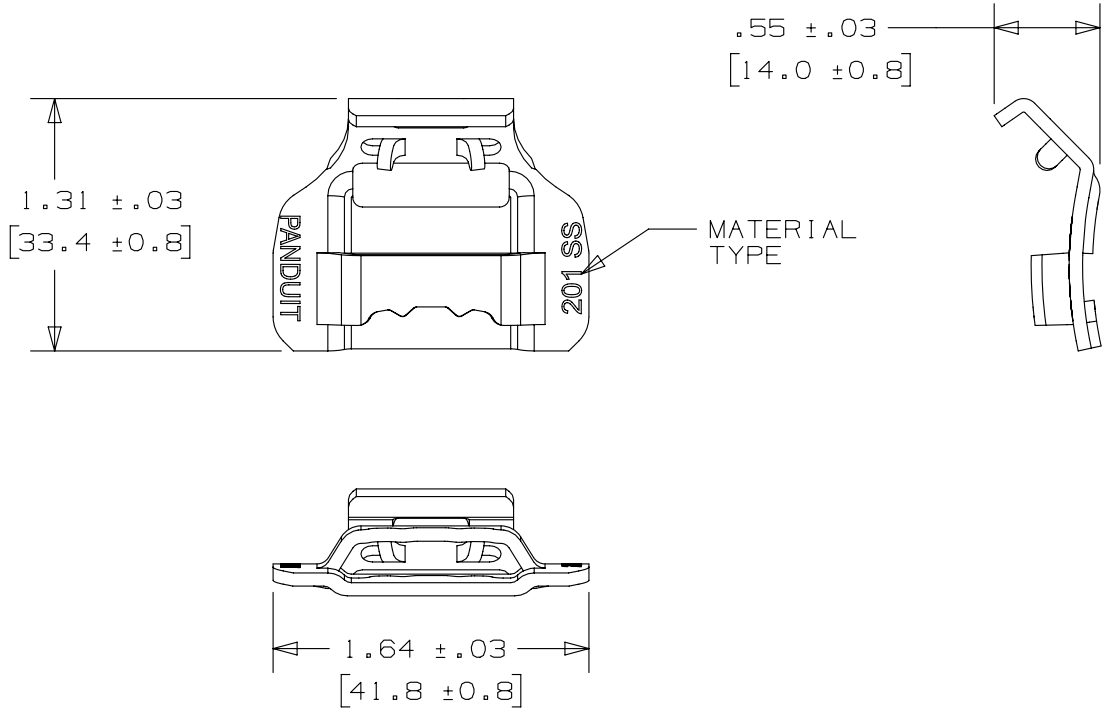


THIS COPY IS PROVIDED ON A RESTRICTED BASIS AND IS NOT TO BE USED IN ANY WAY DETRIMENTAL TO THE INTERESTS OF PANDUIT CORP.



ISOMETRIC VIEW
SHOWN FOR
REFERENCE ONLY

- NOTES:
 1. APPLICATION TOOLS: BT75SDT
 2. BRACKETS [] DENOTES DIMENSIONS ARE IN MILLIMETERS AND ARE FOR REFERENCE ONLY
 3. MATERIAL: STAINLESS STEEL
 4. MATERIAL THICKNESS: .070 ± .005

PANDUIT PART NUMBER	PACKAGE QUANTITY	MATERIAL TYPE	FOR USE WITH PANDUIT CONTINUOUS BANDING
MSBW75-C2	100	201 SS	MSW75T30-CR2
MSBW75-C6	100	316 SS	MSW75T30-CR6

REV	DATE	BY	CHK	APR	DESCRIPTION	ECN
03A	4/13	JAMB	SKB	---	UPDATE DRAWING TO NEW GLOBAL PANDUIT TITLE BLOCK WITH PANDUIT LOGO. ADDED TO NOTE #2: "AND ARE FOR REFERENCE ONLY"	SSECN01057
02A	6/10	JAMB	SKB	---	ADDED PART NUMBER MSBW75-C6 TO TABLE. ADDED "MATERIAL TYPE" TO TABLE. ADDED "FOR USE WITH...ETC" TO TABLE.	-----
01A	5/09	MIM	CCH	---	DRAWING RELEASED	-----

<p>TITLE MS75 METAL STRAPPING LOOSE PIECE BUCKLES CUSTOMER DRAWING</p>			
<p>ITEM REVISION NAME N41285BS/03</p>			
<p>DATASET FILE NAME N41285BS_DC/03A</p>			
<p>UNLESS OTHERWISE SPECIFIED, DIMENSIONAL TOLERANCES ARE: IN [mm] .x ± .1 [2.54] .xxx ± .005 [.127] .xx ± .01 [.25] ANGLES ± 5 °</p>		<p>MATERIAL: SEE NOTES</p>	
		<p>THIRD ANGLE PROJECTION</p>	
<p>DRAWN BY MIM</p>	<p>DATE 5/09</p>	<p>CHK SKB</p>	<p>SCALE NONE</p>
<p>SHT 1 OF 1</p>			<p>SIZE A</p>

X-ON Electronics

Largest Supplier of Electrical and Electronic Components

Click to view similar products for [Racks & Rack Cabinet Accessories](#) category:

Click to view products by [Panduit](#) manufacturer:

Other Similar products are found below :

[CR-1727](#) [M00-PLN](#) [F2420](#) [F2424](#) [8310-1032-SS](#) [9104](#) [PLFF2000](#) [PLFF6000](#) [GP216](#) [PTFA60000LG](#) [H-9163-B](#) [AC220-84-1](#) [HEH050BA](#)
[1427C3](#) [BAS-5104](#) [N-700-2](#) [190-002](#) [HTL10](#) [HTS10](#) [PC-118](#) [PC-780L](#) [PC-79](#) [PC-800](#) [SC4-28](#) [F3024](#) [AKWAMT](#) [PLFF1000](#) [GRPB12PG](#)
[CG3-340S/12](#) [2CWDP36](#) [2CWDP48](#) [2SSHINGE](#) [CP-001BK](#) [CPL19431LG1](#) [R570-004-107](#) [M6123-4007-SS](#) [TS170](#) [531300535](#) [BRX-](#)
[12290](#) [C4BD3077SBK1](#) [UPS 7-17-14 PLAIN](#) [LP40](#) [5261304-07](#) [CCA26-44-01](#) [706-102](#) [CG3-160G](#) [7112C-PLN ALUM](#) [CM10](#) [TS81](#) [7142](#)