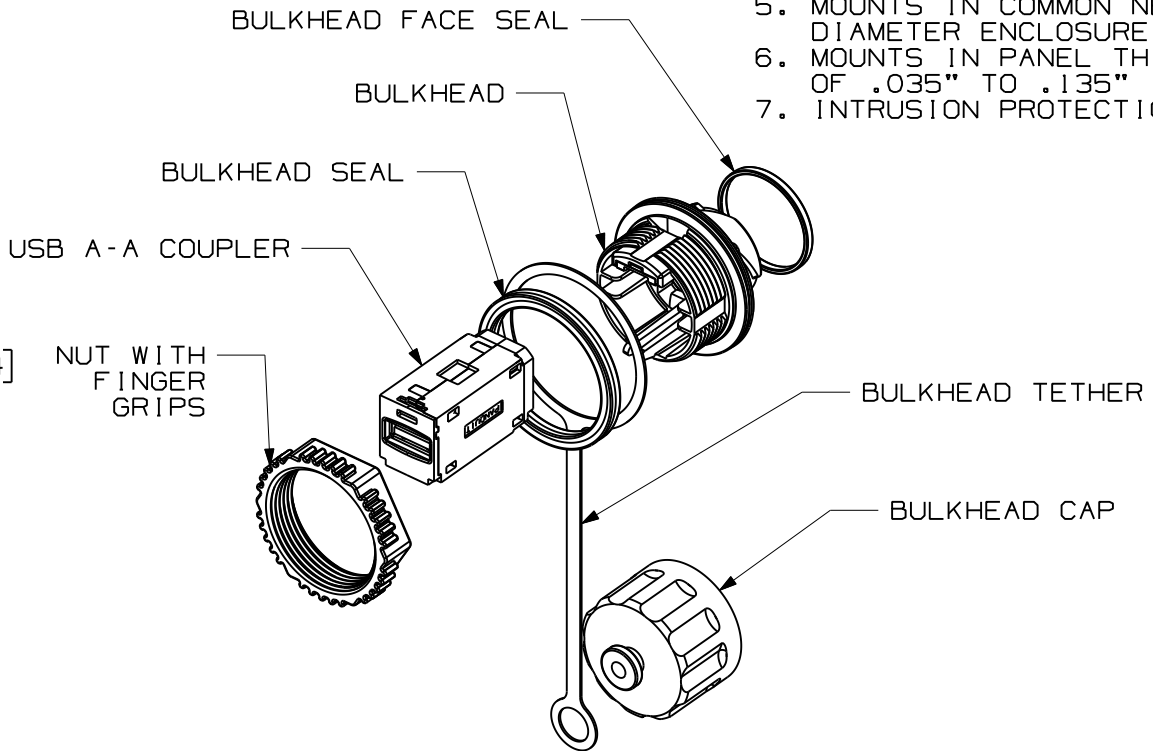
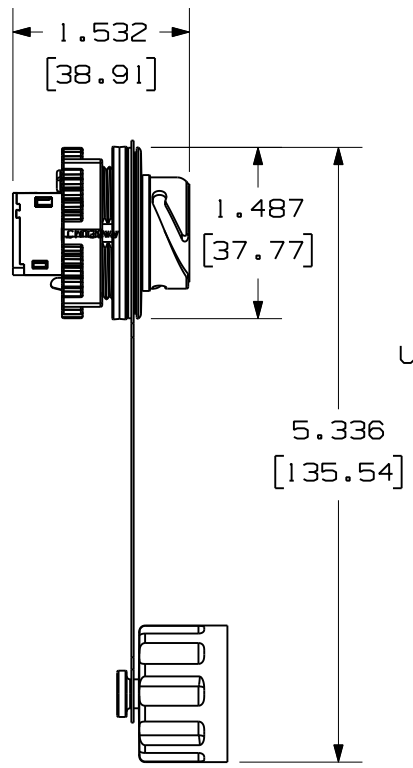


THIS COPY IS PROVIDED ON A RESTRICTED BASIS AND IS NOT TO BE USED IN ANY WAY DETRIMENTAL TO THE INTERESTS OF PANDUIT CORP.

NOTES:

1. INDUSTRIAL USB COUPLER MODULE
2. USB 2.0 COMPLIANT AND BACKWARDS COMPATIBLE TO USB 1.1
3. ACCEPTS (2) USB PATCH CORDS
4. DIMENSIONS IN PARENTHESES ARE METRIC.
5. MOUNTS IN COMMON NEMA 1-13/64" (30.5mm) DIAMETER ENCLOSURE OPENING.
6. MOUNTS IN PANEL THICKNESS OF .035" TO .135"
7. INTRUSION PROTECTION RATED TO IP67



MODEL FILENAME	M02731AV/00	SIZE	A
DRAWING FILENAME	M02731AV_DC19/00A		

INDUSTRIALNET USB A-A COUPLER WITH BULKHEAD  
CUSTOMER DRAWING

<p>THIRD ANGLE PROJECTION</p>	<p>ALL DIMENSIONS ARE GIVEN IN INCHES, UNLESS OTHERWISE SPECIFIED.</p> <p>DIMENSIONAL TOLERANCES ARE:</p> <p>(.X) ± (XXX) ±.010(.25)</p> <p>(.XX) ±.03(.8) ANGLES ±</p>	I.I. NUMBER
		PRODUCT SPEC/ PKG SPEC
		ASSY METHOD/ TEST METHOD
		SCALE
DRAWN BY BJN	REVIEW DRAWING NUMBERS	PART NO. IAEBHUSBAA
DATE 2-21-12	MAT'L	DRAWING NO. 02731-19
CHK'D JCO		

REV	DATE	BY	CHK	DESCRIPTION	ECN	R	CUST	SUP	OTH
R	2-21-12	BJN	JCO	RELEASED TO PRODUCTION	02731-17	JCO	EJH		

## X-ON Electronics

Largest Supplier of Electrical and Electronic Components

*Click to view similar products for [Ethernet Cables / Networking Cables](#) category:*

*Click to view products by [Panduit](#) manufacturer:*

Other Similar products are found below :

[0152660053](#) [73-7797-25](#) [73-8890-10](#) [73-8890-14](#) [73-8891-14](#) [73-8891-25](#) [73-8892-50](#) [73-8894-10](#) [73-8894-3](#) [73-8895-14](#) [73-8896-7](#)  
[MCJB2-10P6Q7-120](#) [84909-0204](#) [1200650742](#) [1200700174](#) [1200860368](#) [1200650013](#) [1201080008](#) [1-21919-1](#) [1300500373](#) [1300101844](#)  
[1300101845](#) [130050-0004](#) [1300500014](#) [1410147](#) [E16A06002M030](#) [E200102-009-S1](#) [MT14-187L](#) [17-103530](#) [NK5EPC18RDY](#)  
[NK5EPC18VLY](#) [NK5EPC18YLY](#) [NK5EPC1GRY](#) [NK5EPC30BLY](#) [NK5EPC30VLY](#) [NK5EPC30YLY](#) [NK5EPC4Y](#) [NK5EPC6YLY](#)  
[NK5EPC8BLY](#) [NK5EPC9YLY](#) [NK6PC30BUY](#) [NK6PC30GRY](#) [NK6PC30RDY](#) [NK6PC30Y](#) [NK6PC30YLY](#) [1969343-6](#) [C501100010](#)  
[C501106002](#) [C501106007](#) [C501106015](#)