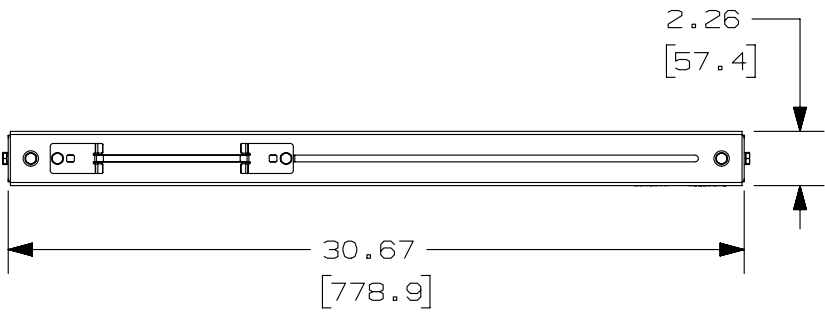


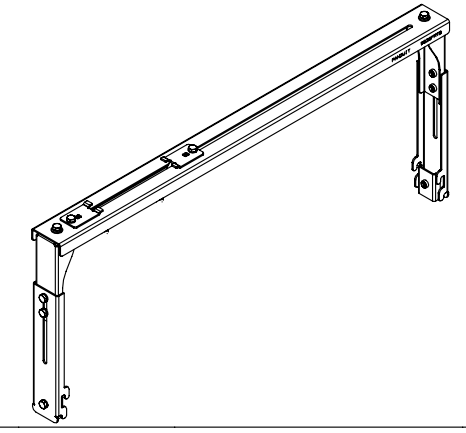
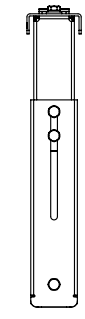
THIS COPY IS PROVIDED ON A RESTRICTED BASIS AND IS NOT TO BE USED IN ANY WAY DETRIMENTAL TO THE INTERESTS OF PANDUIT CORP.



PANDUIT PART NUMBER	WEIGHT
$\triangle G$ WG30FRTB**	5.58 LBS/EACH (2531.0 g/EACH)

- $\triangle F$  NOTES:
- PANDUIT PART NUMBER WG30FRTB\*\* INCLUDES:
    - ONE (1) WYR-GRID 30" WIDTH FIBERRUNNER TRAPEZE BRACKET ASSEMBLY FOR 4X4 AND 6X4
    - TWO (2) WYR-GRID FIBERRUNNER TRAPEZE UPRIGHT SUPPORT BRACKET ASSEMBLIES
    - TWO (2) 1/4-20 X 3/4 HEX HEAD CAP SCREWS
    - FOUR (4) 1/4 -20 HELICAL SPRING LOCKWASHERS
    - TWO (2) 1/4-20 SAE FLAT WASHER
    - TWO (2) WYR-GRID INTEFRAL BRACKET LOWER CLIP ASSEMBLIES
    - TWO (2) 1/4-20 X 1-1/8 HEX HEAD CAP SCREWS
  - DIMENSIONS IN PARENTHESES ARE METRIC.
  - PROVIDED ABILITY TO MOUNT FIBERRUNNER 6.6" TO 9.9" ABOVE WYR-GRID.
  - SEE CATALOG FOR ADDITIONAL PART SUFFIXES TO INDICATE PART FINISH AND/OR PACKAGE QUANTITY.

$\triangle H$



$\triangle E$

REV	DATE	BY	CHK	APR	DESCRIPTION	ECN
3	04-08-13	SSP	DWR	RN	RELEASED TO PRODUCTION H. REVISED THE ADJUSTMENT RANGE TOLERANCES G. ADDED '**' SUFFIX TO PANDUIT PART NUMBER F. ADDED NOTE #4 TO GENERAL NOTES E. REMOVED PRIOR NOTE(S)	10D166AI-DC

TITLE		WYR-GRID 30" WIDTH FIBERRUNNER TRAPEZE BRACKET FOR 4X4 AND 6X4 (WG30FRTB**) $\triangle G$	
ITEM REVISION NAME		CUSTOMER DRAWING	
DATASET FILE NAME		10D166AI/03.PRT	
DATASET FILE NAME		10D166AI.LDC/03D WG30FRTB**.PRT	
UNLESS OTHERWISE SPECIFIED, DIMENSIONAL TOLERANCES ARE: IN ( mm )		MATERIAL:	
.X ± .XX ± .05 [ 1.3 ]		STEEL	
.XXX ± ANGLES ±		DRAWING NUMBER:	
THIRD ANGLE PROJECTION		10D166AI-DC	
DRAWN BY	DATE	CHK	SCALE
ERK	06-24-11	DWR	NONE
SHT 1 OF 1			SIZE
			A

D10100DA/11

## X-ON Electronics

Largest Supplier of Electrical and Electronic Components

*Click to view similar products for [Wire Ducting](#) category:*

*Click to view products by [Panduit](#) manufacturer:*

Other Similar products are found below :

[66200A-10](#) [CVED32VEPG](#) [CVED40VEPG](#) [F512D5-5F140Y](#) [F512D5-5F200Y](#) [F512D5-5F26Y](#) [F512D5-5F30Y](#) [F512D5-5F33Y](#) [F512D5-5F34Y](#) [F512D5-5F45Y](#) [F512D5-5F50Y](#) [F512D5-5F54Y](#) [F512D5-5F66Y](#) [F512D5-5F70Y](#) [F512D5-5F75Y](#) [F512D5-5F90Y](#) [F612D5-5F100Y](#) [F612D5-5F130Y](#) [F612D5-5F50Y](#) [F612D5-5F56Y](#) [F612D5-5F58Y](#) [F6L12D5-5F46](#) [F912D5-5F11Y](#) [F912D5-5F170Y](#) [F912D5-5F175Y](#) [F912D5-5F230Y](#) [F912D5-5F300Y](#) [F912D5-5F55Y](#) [F912D5-5F56Y](#) [F912D5-5F63Y](#) [F912D5-5F6Y](#) [F912D5-5F75Y](#) [F912D5-5F85Y](#) [F912D5-5F86Y](#) [F912D5-5F88Y](#) [F912D5-5F96Y](#) [FAP0047WBLMTP](#) [FAP12WBRDRDDLZ](#) [FAP12WDYLYLDLZ](#) [FAP12WEORORDLZ](#) [FAP6WEORORDLZ](#) [FAP6WFDBDBDLZ](#) [FAP8WEORORDLZ](#) [FCE2UWCL](#) [800A-LB](#) [802A-ECSP](#) [802I-ICSP](#) [FJQADH](#) [FJQFXT](#) [PED10](#)