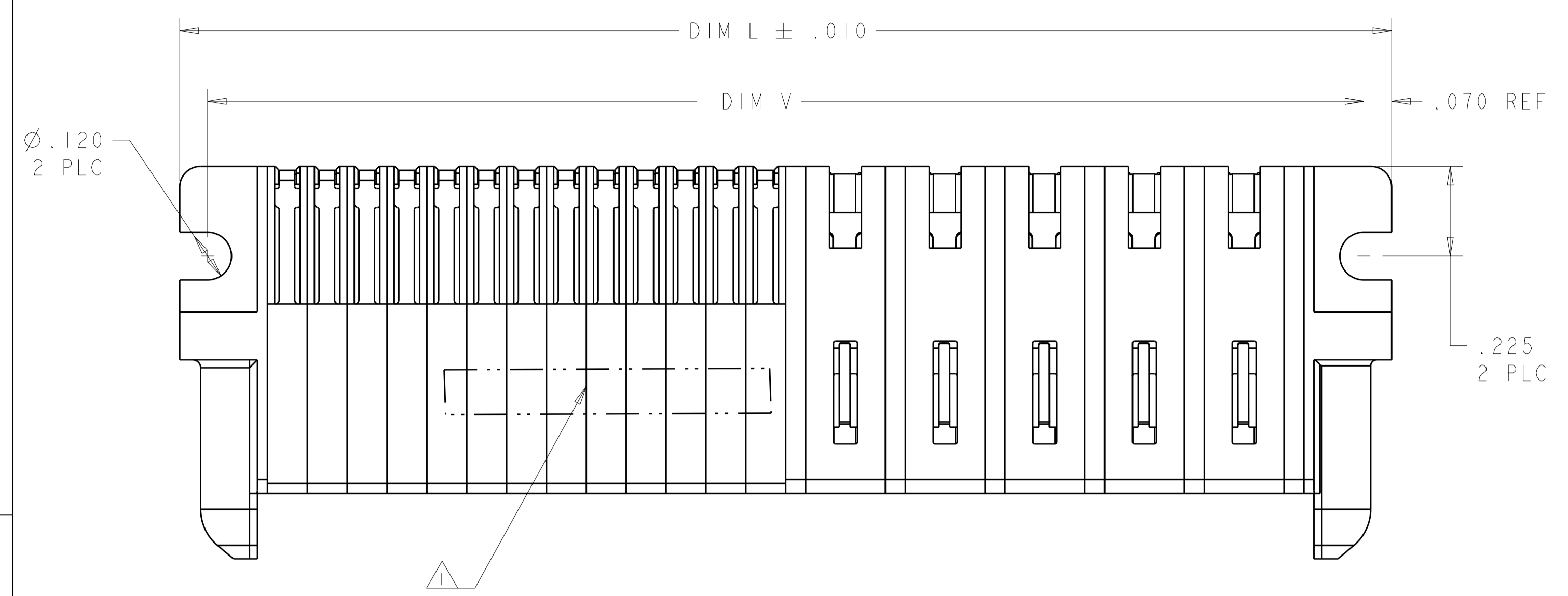
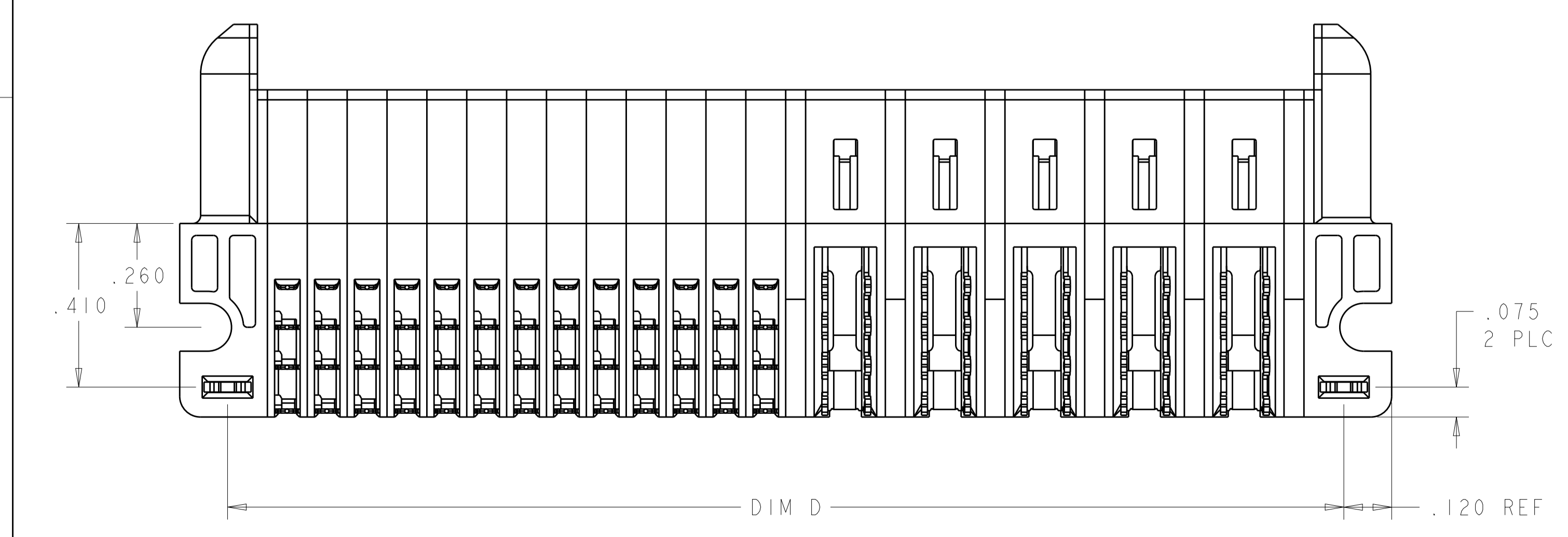
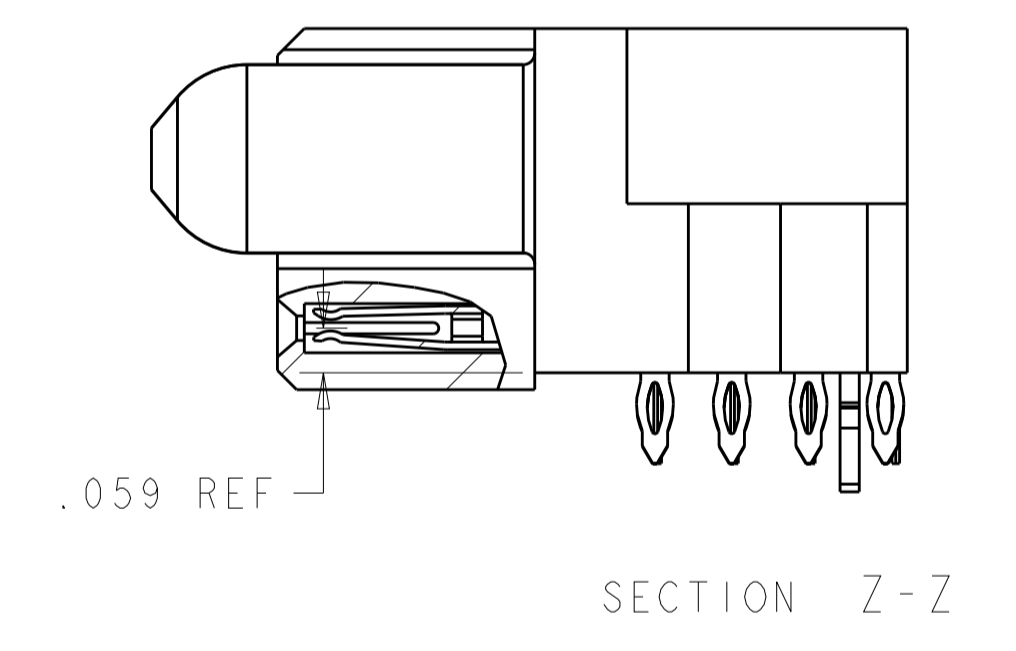
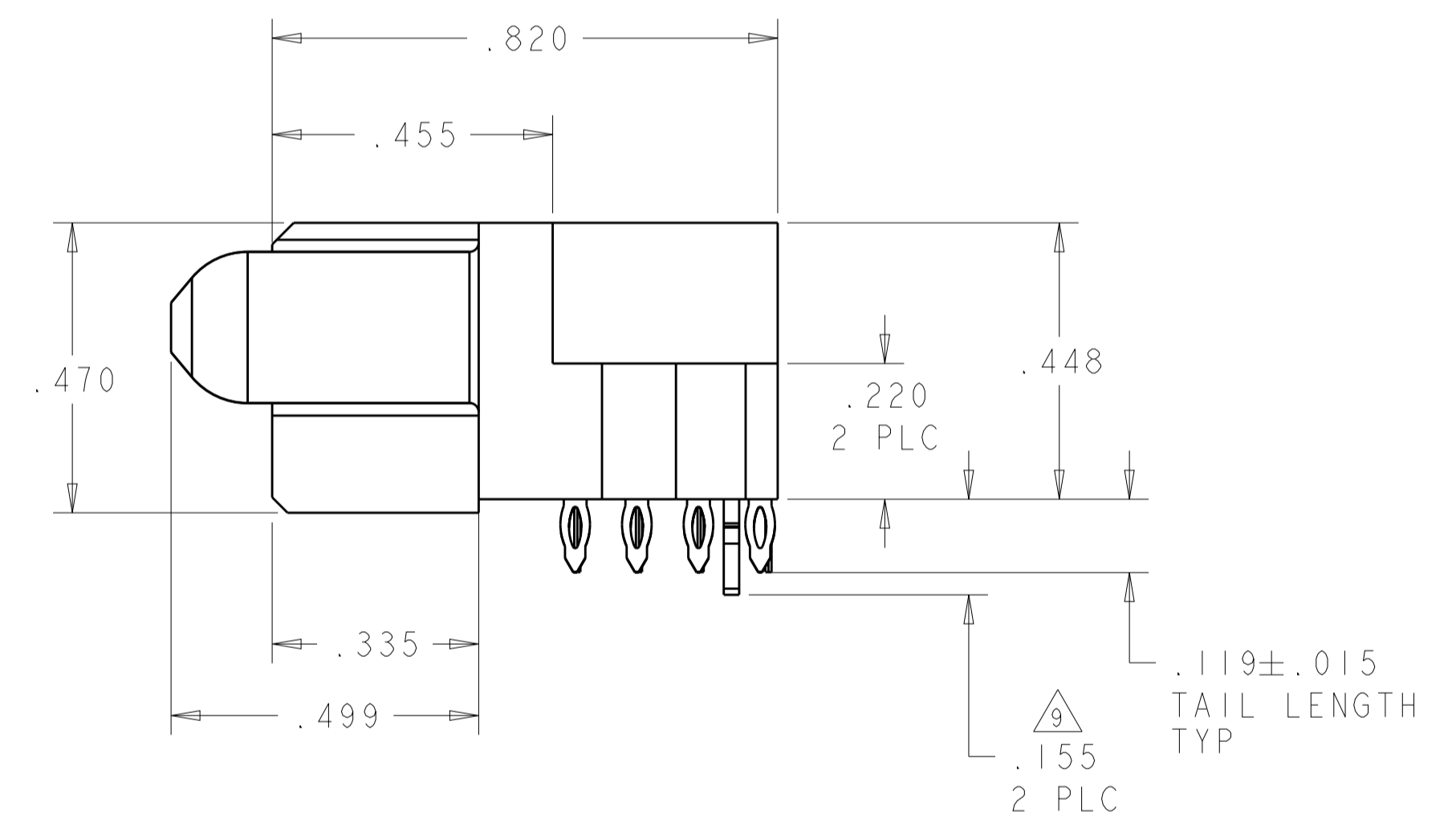
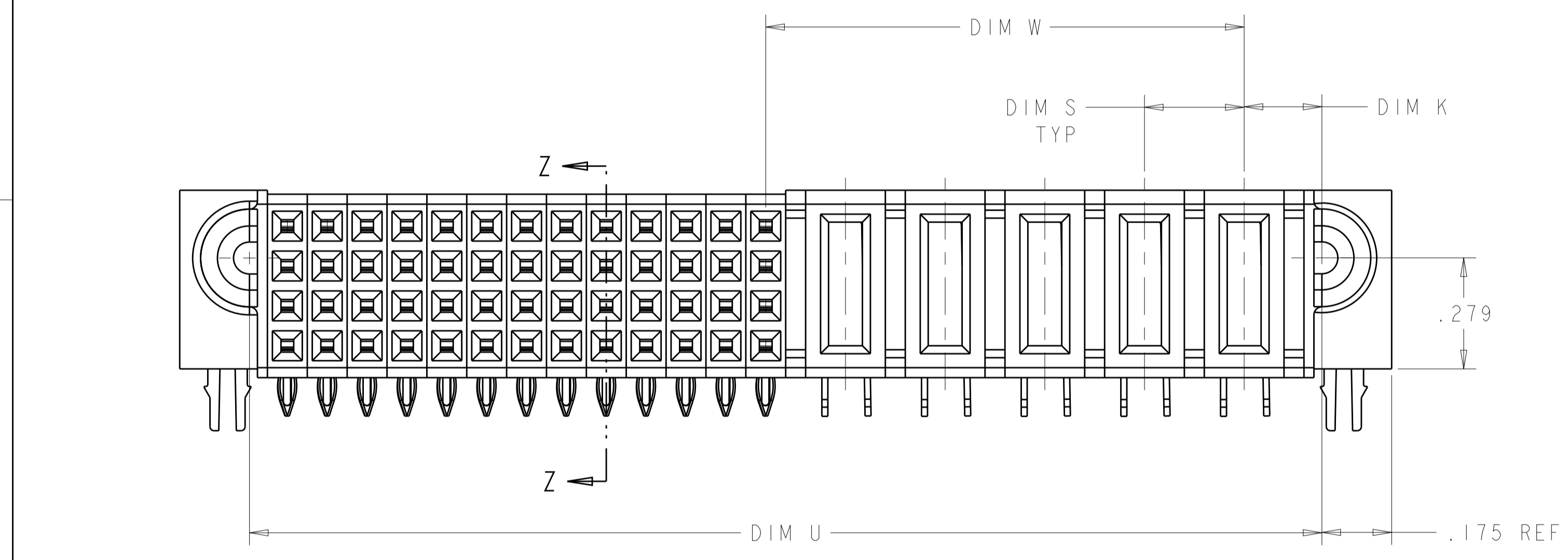


LOC	DIST	REVISIONS					
		P	LTN	DESCRIPTION	DATE	DWN	APVD
ES	00	A2		REV PER ECR-11-019166	21SEP2011	ML	SZ
		A3		CORRECT DRAWING VIEW	16MAR2012	OL	SZ
		A4		ADD HOLD DOWN ON SHEET 1	20MAR2012	OL	SZ
		A5		UPDATE	23MAR2012	OL	SZ



- 1 "AMP", PART NUMBER, AND DATECODE TO BE MARKED IN AREA SHOWN. PARTS UNDER 2.00[50.8] LONG MAY BE MARKED ON BOTH SIDES.
- 2 MATERIAL: HOUSING - GLASS FILLED HIGH TEMP THERMO PLASTIC, BLACK, UL94 V-0
SIGNAL CONTACT - COPPER ALLOY
POWER CONTACT - HIGH CONDUCTIVITY COPPER ALLOY
- 3 CONTACT PLATING: NOBLE METAL PLATING ON CONTACT FUNCTIONAL AREA OF POWER AND SIGNAL CONTACTS.
- 4 MECHANICAL CONNECTOR KEEP OUT ZONE.
- 5 DATUM AND BASIC DIMENSIONS ESTABLISHED BY CUSTOMER.
- 6 PCB - HOLE DIAMETERS ARE FINISHED HOLE SIZE.
- 7 PCB - .0453±.0010 DRILLED HOLES PLATED WITH .0003 MIN Sn OVER .001 TO .003 Cu PLATING TO ACHIEVE A .040 DIA HOLE.
- 8 VARIABLE DIMENSION PLEASE REFER TO TABLE
- 9 HOLD DOWN IS OPTIONAL AND PLEASE REFER TO TABLE FOR SPECIFIED PART NUMBERS ON FOLLOWING PAGES



	8	3.740	3.600	3.390	3.500	2.625	0.170	3ACP+8P+24S	6450882-9
3	8	3.790	3.650	3.440	3.550	2.700	.145	13P + 24S	6450882-7
A1	8	.200	3.065	2.925	2.715	-	1.975	10HDP + 24S	6450882-4
A	8	3.740	3.600	3.390	3.500	2.625	0.170	3ACP+8P+24S	6450882-3
A1	8	3.740	3.600	3.390	3.500	2.625	0.170	3ACP+8P+24S	6450882-2
A1	8	3.740	3.600	3.390	3.500	2.625	0.170	3ACP+8P+24S	6450882-1
2	8	.250	1.565	1.425	1.215	1.325	.425	2P + 24S	6450882-8
	DIM S	DIM L	DIM V	DIM U	DIM D	DIM W	DIM K	DESCRIPTION	PART NUMBER

THIS DRAWING IS A CONTROLLED DOCUMENT. DWN: ORANDO L1 19NOV2009
CHK: SUNY ZHAO 19NOV2009

DIMENSIONS: INCHES. TOLERANCES UNLESS OTHERWISE SPECIFIED:
0 PLC ±.01
1 PLC ±.01
2 PLC ±.01
3 PLC ±.01
4 PLC ±.005
ANGLES ±.0020

MATERIAL: FINISH: 2 3

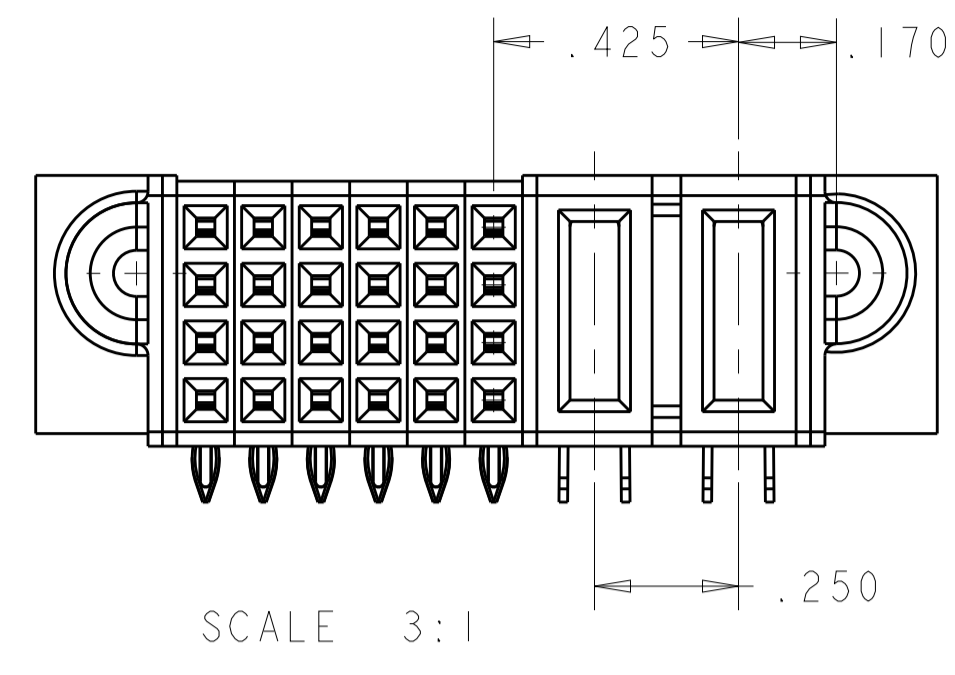
STE TE Connectivity
RIGHT ANGLE RECEPTACLE AND SHORT END MODULAR MULTI-BEAM XLE

SIZE: 114-13038 CAGE CODE: 114-13038 DRAWING NO: 108-2292 APPLICATION SPEC: 114-13038 WEIGHT: CUSTOMER DRAWING SCALE: 4:1 SHEET 1 OF 4 REV: A6

LOC	DIST	REV	DATE	APPV
ES	00			

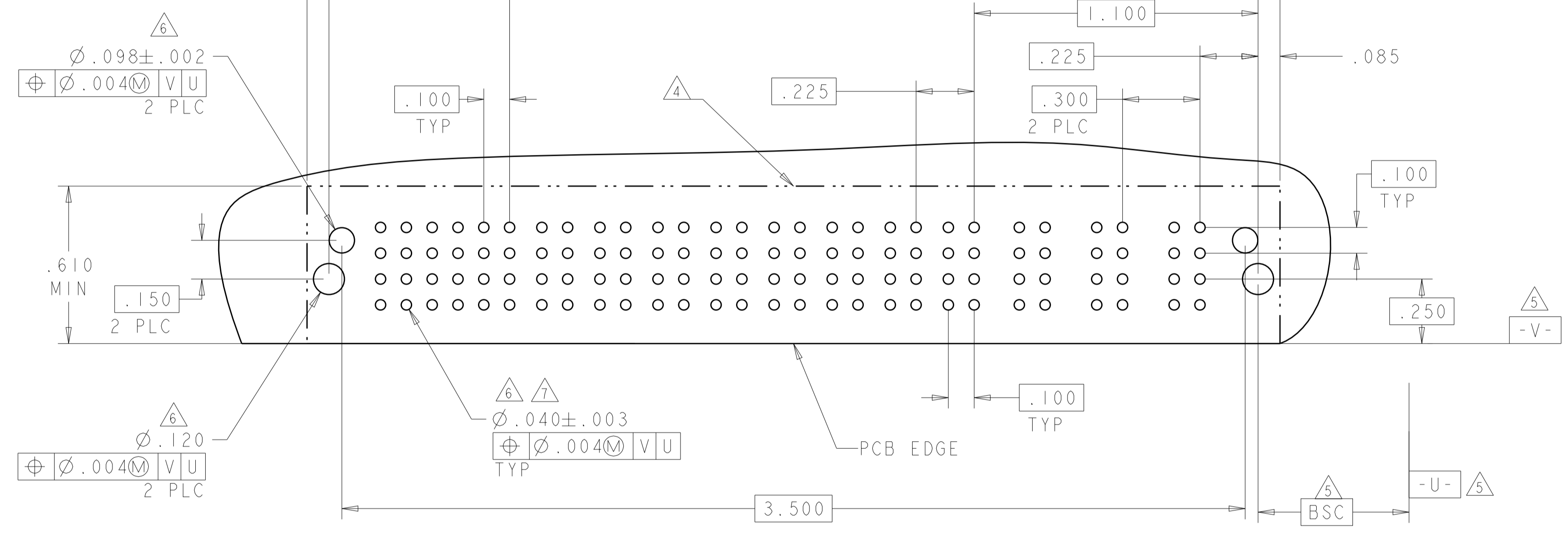
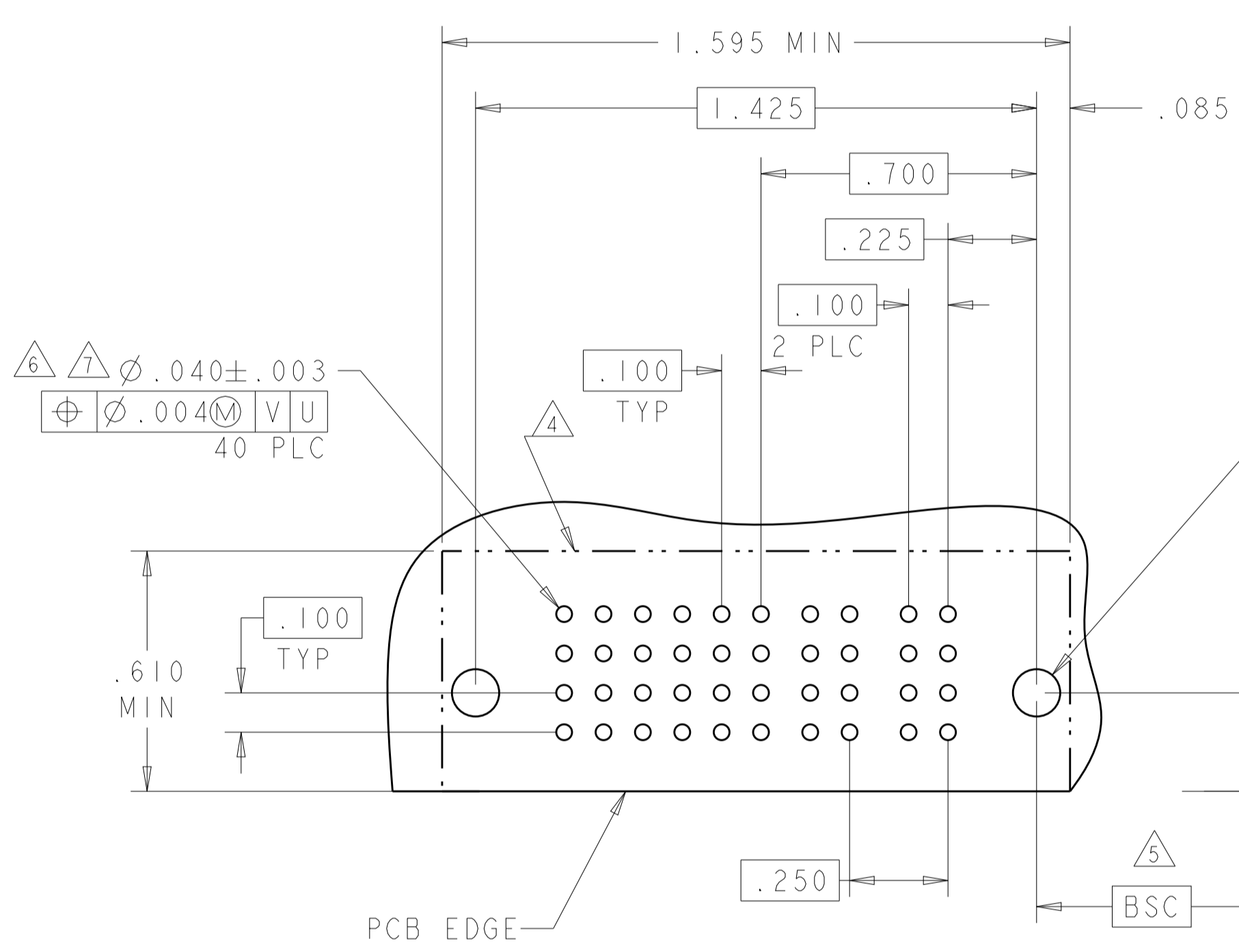
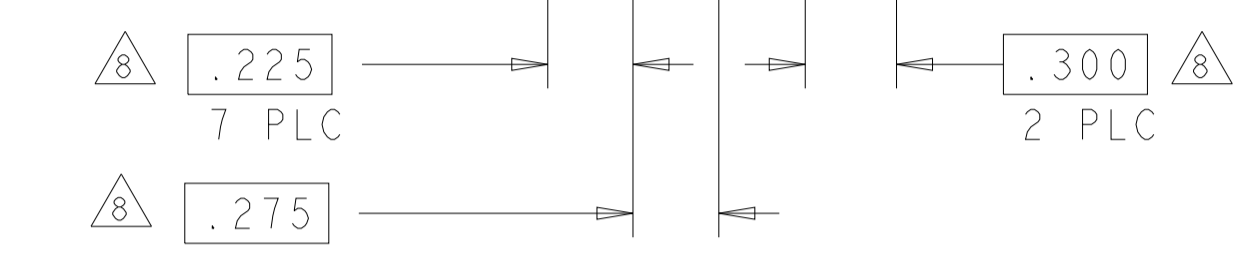
PART NUMBER	ROWS	SIGNAL						POWER	
		6	5	4	3	2	1	P2	P1
6450882-8	D	D	D	D	D	D	D	RP	RS
	C	C	C	C	C	C	C		
	B	B	B	B	B	B	B		
	A	A	A	A	A	A	A		

2P + 24S



PART NUMBER	ROWS	SIGNAL						POWER											
		6	5	4	3	2	1	P11	P10	P9	P8	P7	P6	P5	P4	P3	P2	P1	
6450882-1	D	D	D	D	D	D	D	RS	RS	RS	RS	RS	RS	RS	RS	RS	RP	RS	RS
	C	C	C	C	C	C	C												
	B	B	B	B	B	B	B												
	A	A	A	A	A	A	A												

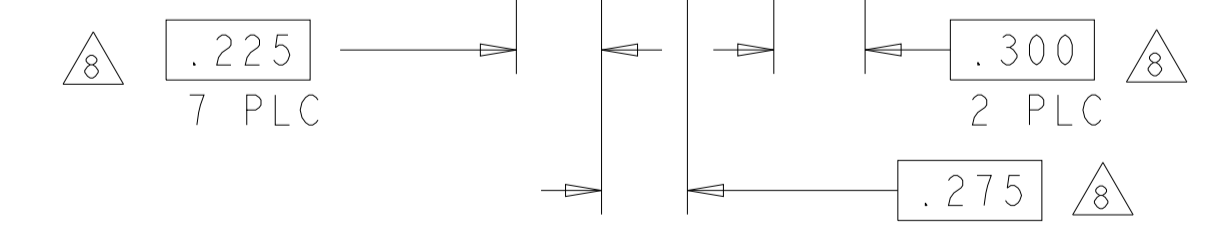
3ACP + 8P + 24S



PCB LAYOUT VIEW OF 6450882-1/2/3

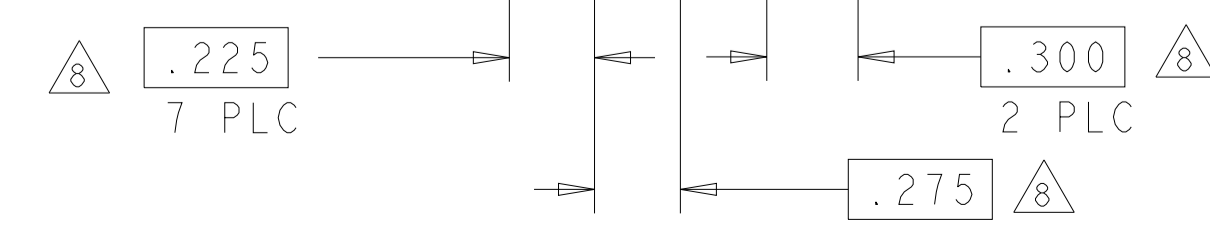
PART NUMBER	ROWS	SIGNAL						POWER										
		6	5	4	3	2	1	P11	P10	P9	P8	P7	P6	P5	P4	P3	P2	P1
6450882-2	D	D	D	D	D	D	D	RS	RS	RS	RS	RP	RS	RS	RS	RS	RS	RS
	C	C	C	C	C	C	C											
	B	B	B	B	B	B	B											
	A	A	A	A	A	A	A											

3ACP + 8P + 24S



PART NUMBER	ROWS	SIGNAL						POWER										
		6	5	4	3	2	1	P11	P10	P9	P8	P7	P6	P5	P4	P3	P2	P1
6450882-3	D	D	D	D	D	D	D	RS	RS	RS	RS	RS	RS	RP	RS	RS	RS	
	C	C	C	C	C	C	C											
	B	B	B	B	B	B	B											
	A	A	A	A	A	A	A											

3ACP + 8P + 24S



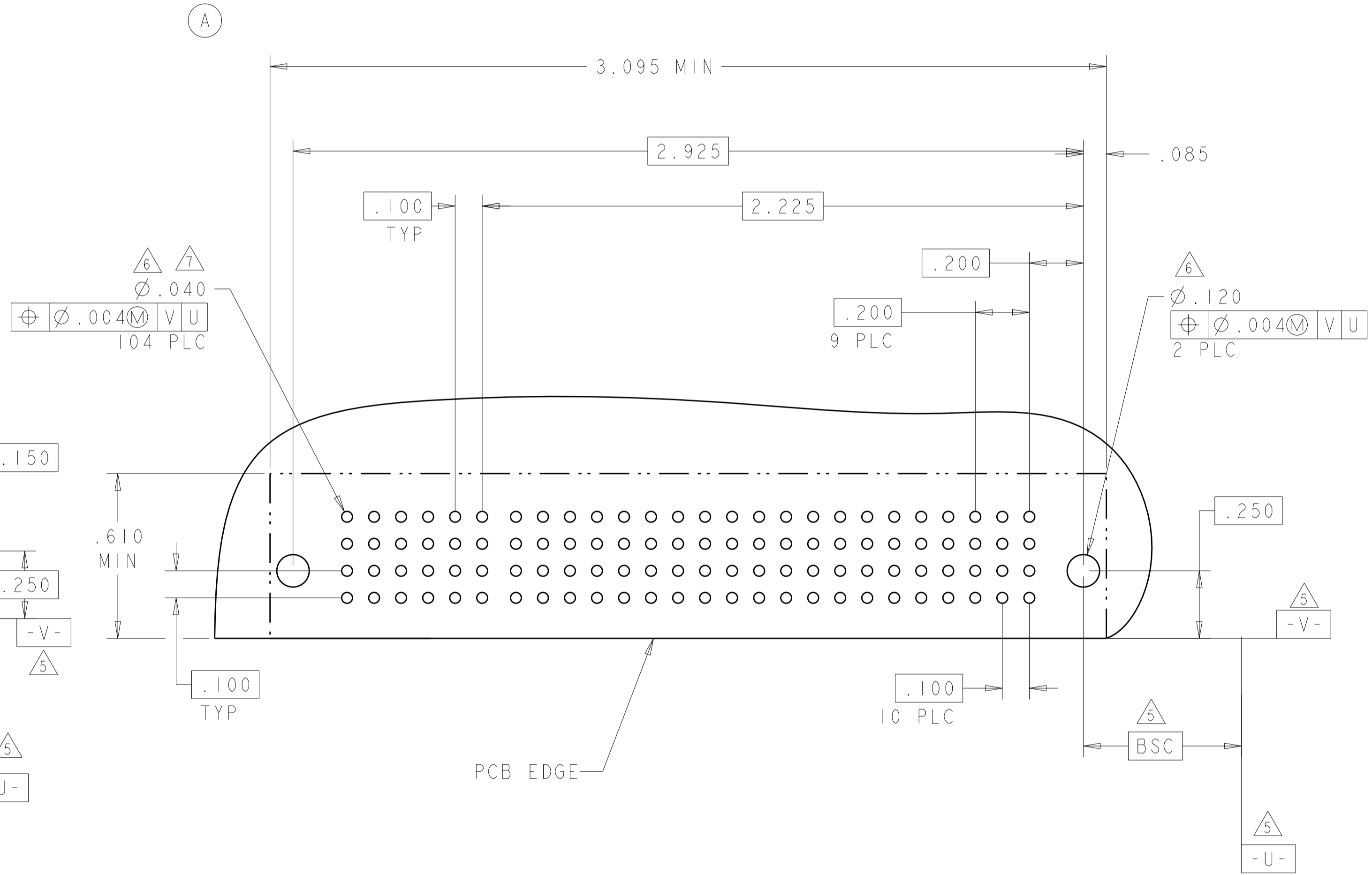
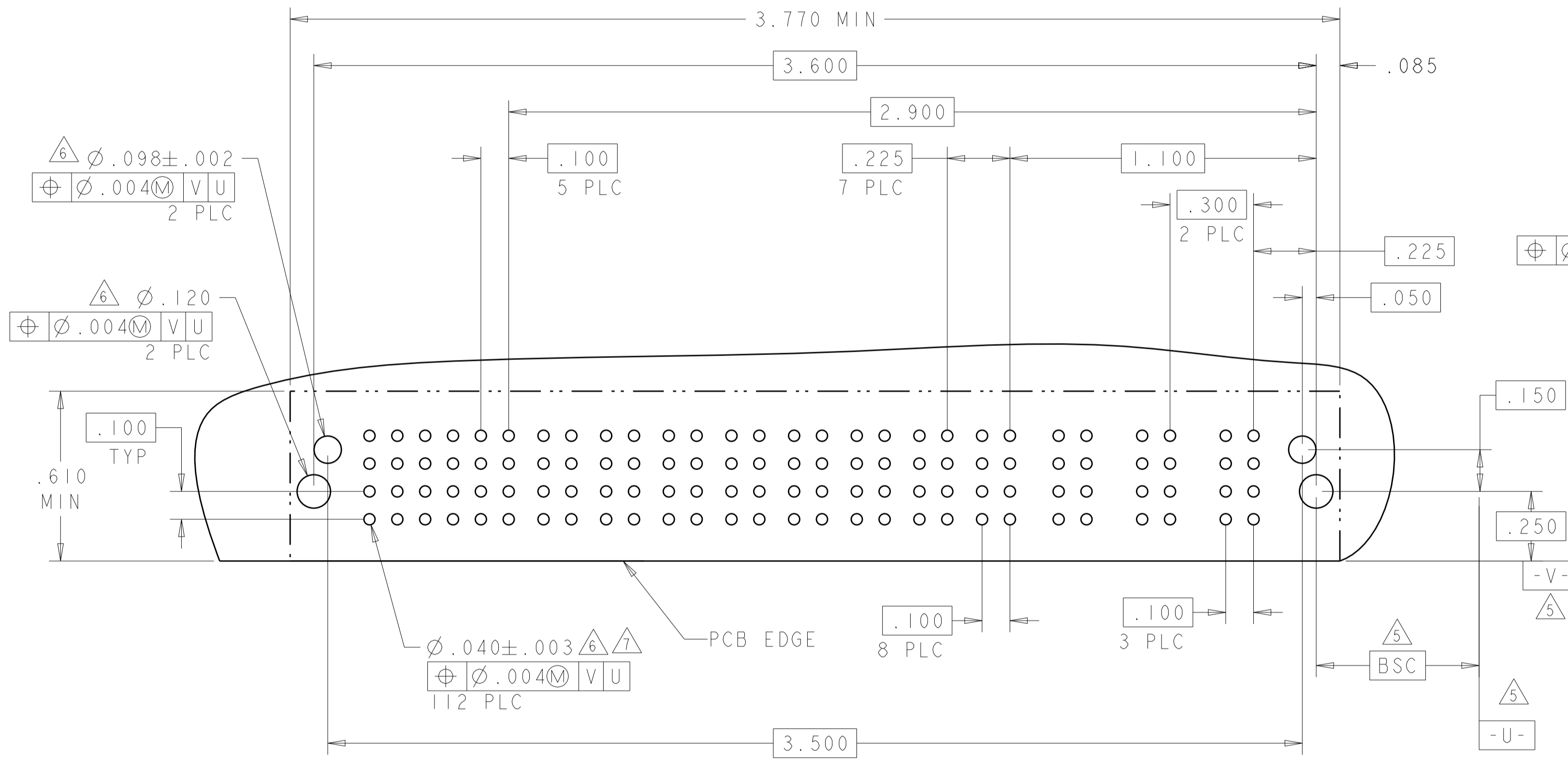
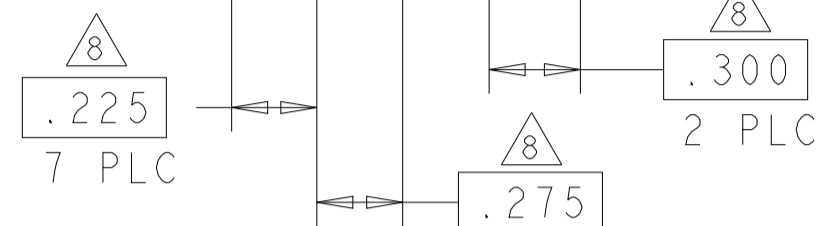
DESCRIPTION	IDENTIFIER
HOLD DOWN	HD
STD PRESS FIT SIGNAL CONTACT, .119 TAIL LENGTH, ROW D	D
STD PRESS FIT SIGNAL CONTACT, .119 TAIL LENGTH, ROW C	C
STD PRESS FIT SIGNAL CONTACT, .119 TAIL LENGTH, ROW B	B
STD PRESS FIT SIGNAL CONTACT, .119 TAIL LENGTH, ROW A	A
MFBL PRESS FIT POWER CONTACT, .119 TAIL LENGTH	RP
STD PRESS FIT POWER CONTACT, .119 TAIL LENGTH	RS

THIS DRAWING IS A CONTROLLED DOCUMENT.		OWN: ORANDO LI 19NOV2009	 TE Connectivity
DIMENSIONS: INCHES		CHK: SUNY ZHAO 19NOV2009	
TOLERANCES UNLESS OTHERWISE SPECIFIED:		APV: STEVEN YAO	RIGHT ANGLE RECEPTACLE AND SHORT END MODUAL MULTI-BEAM XLE
0 PLC ±.01 1 PLC ±.01 2 PLC ±.01 3 PLC ±.005 4 PLC ±.002 ANGLES ±.020		PRODUCT SPEC: 108-2292 APPLICATION SPEC: 114-13038 WEIGHT:	
MATERIAL:		SIZE: A100779	RESTRICTED TO:
FINISH:		SCALE: 4:1	SHEET: 2 OF 4
CUSTOMER DRAWING		DRAWING NO: 6450882	REV: A6

LOC	DIST	REVISIONS			
ES	00	REV	DATE	BY	APPV
		1	SEE SHEET 1		

PART NUMBER	ROWS	SIGNAL						POWER													
		6	5	4	3	2	1	P11	P10	P9	P8	P7	P6	P5	P4	P3	P2	P1			
6450882-9	D	D	D	D	D	D	D	RS	RS	RS	RS	RS	RS	RS	RS	RS	RS	RS			
	C	C	C	C	C	C	C	RS	RS	RS	RS	RS	RS	RS	RS	RS	RS	RS			
	B	B	B	B	B	B	B	RS	RS	RS	RS	RS	RS	RS	RS	RS	RS	RS			
	A	A	A	A	A	A	A	RS	RS	RS	RS	RS	RS	RS	RS	RS	RS	RS			
3ACP + 8P + 24S		HD																		HD	

PART NUMBER	ROWS	SIGNAL						POWER													
		6	5	4	3	2	1	P10	P9	P8	P7	P6	P5	P4	P3	P2	P1				
6450882-4	D	D	D	D	D	D	D	RS	RS	RS	RS	RS	RS	RS	RS	RS	RS	RS			
	C	C	C	C	C	C	C	RS	RS	RS	RS	RS	RS	RS	RS	RS	RS	RS			
	B	B	B	B	B	B	B	RS	RS	RS	RS	RS	RS	RS	RS	RS	RS	RS			
	A	A	A	A	A	A	A	RS	RS	RS	RS	RS	RS	RS	RS	RS	RS	RS			
10HDP + 24S		HD																		HD	



THIS DRAWING IS A CONTROLLED DOCUMENT.		OWN: ORANDO L1 19NOV2009	 TE Connectivity
DIMENSIONS: INCHES		CHK: SUNY ZHAO 19NOV2009	
TOLERANCES UNLESS OTHERWISE SPECIFIED:		APV: STEVEN YAO	NAME: RIGHT ANGLE RECEPTACLE AND SHORT END MODULAR MULTI-BEAM XLE
0 PLC ±.01		PRODUCT SPEC: 108-2292	SIZE: A100779
1 PLC ±.01		APPLICATION SPEC: 114-13038	CAGE CODE: C=6450882
2 PLC ±.01		WEIGHT: -	RESTRICTED TO: -
3 PLC ±.005		CUSTOMER DRAWING	SCALE: 4:1
4 PLC ±.0020			SHEET: 3 OF 4
ANGLES ±.2°			REV: A6
FINISH: -			

X-ON Electronics

Largest Supplier of Electrical and Electronic Components

Click to view similar products for [Power to the Board](#) category:

Click to view products by [TE Connectivity](#) manufacturer:

Other Similar products are found below :

[10131318-08512GRLF](#) [6450171-4](#) [6450552-7](#) [6600323-8](#) [6643429-1](#) [6646040-2](#) [6651939-1](#) [6766604-1](#) [120959-1](#) [1393557-2](#) [1393532-2](#)
[1393532-3](#) [1393532-4](#) [1393557-1](#) [1600812-5](#) [1-6450861-2](#) [1645595-1](#) [1743490-1](#) [1744132-7](#) [1761122-1](#) [1766169-1](#) [1766250-1](#) [18362](#)
[1892109-1](#) [1-967627-6](#) [2226808-1](#) [2-6450860-5](#) [2-6450860-6](#) [2-6450870-0](#) [93003-0502](#) [953552-1](#) [1-6450161-4](#) [1-6450850-6](#) [1645526-2](#) [1-](#)
[6600130-0](#) [1743419-1](#) [1766150-1](#) [2005243-2](#) [211110-1](#) [2-6600130-2](#) [TE34-12-16P-F0](#) [5-6450830-6](#) [5646956-4](#) [36662-0005](#) [40585-3000](#) [4-](#)
[6450830-9](#) [4-6600333-3](#) [51142-0214](#) [10134048-911LF](#) [10130248-005LF](#)