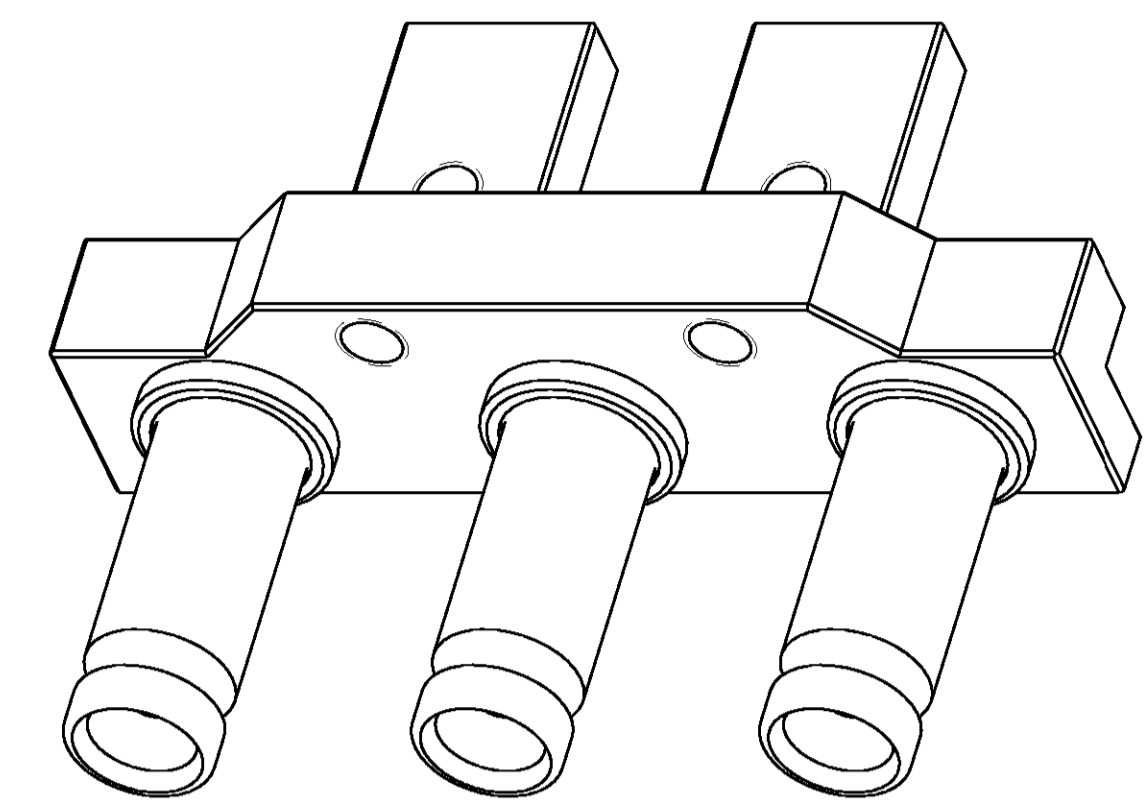
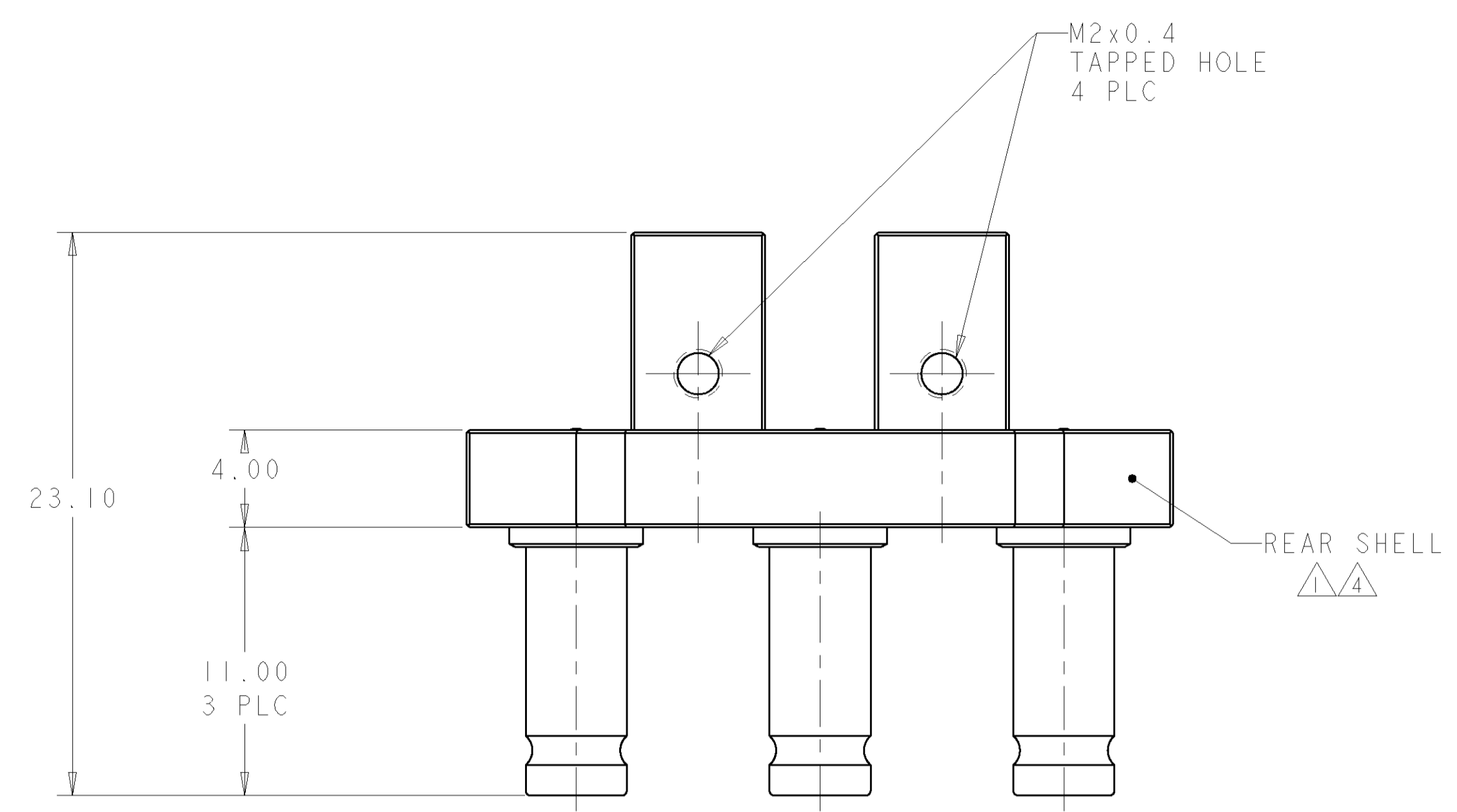
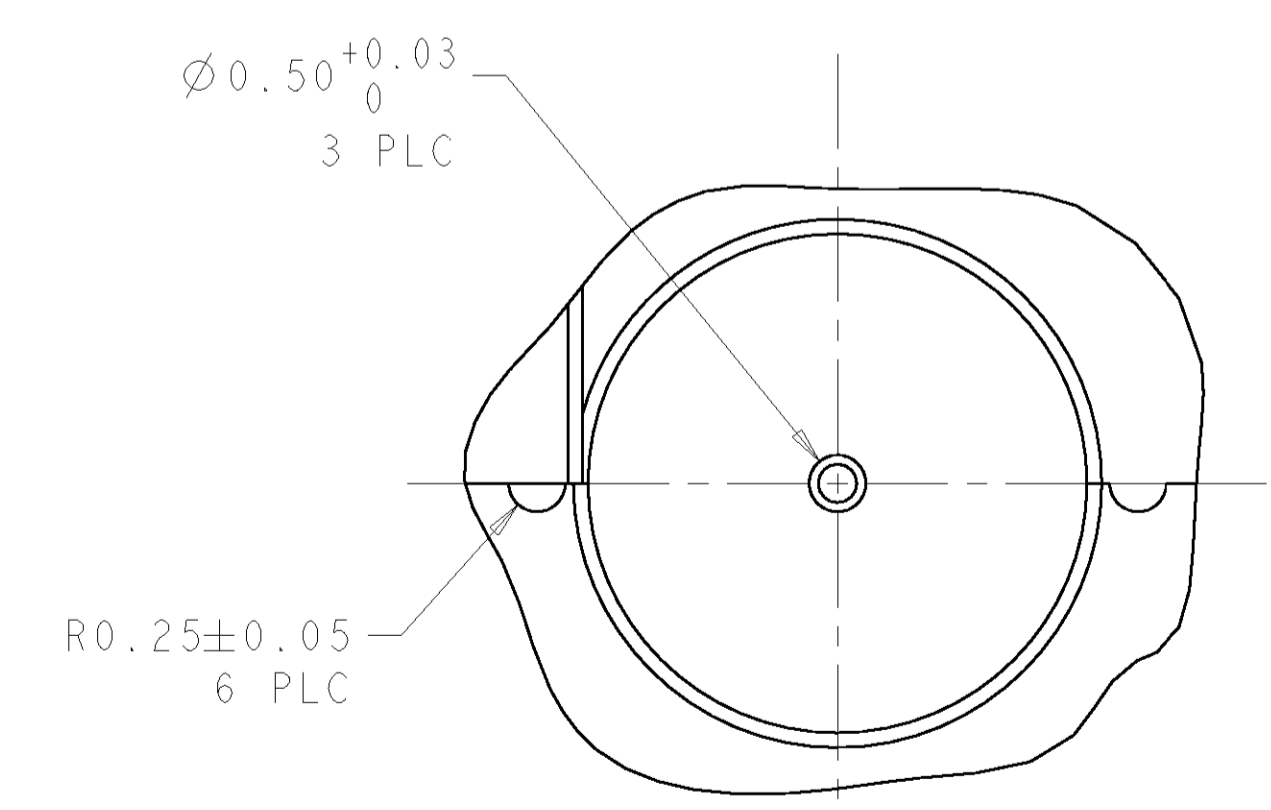
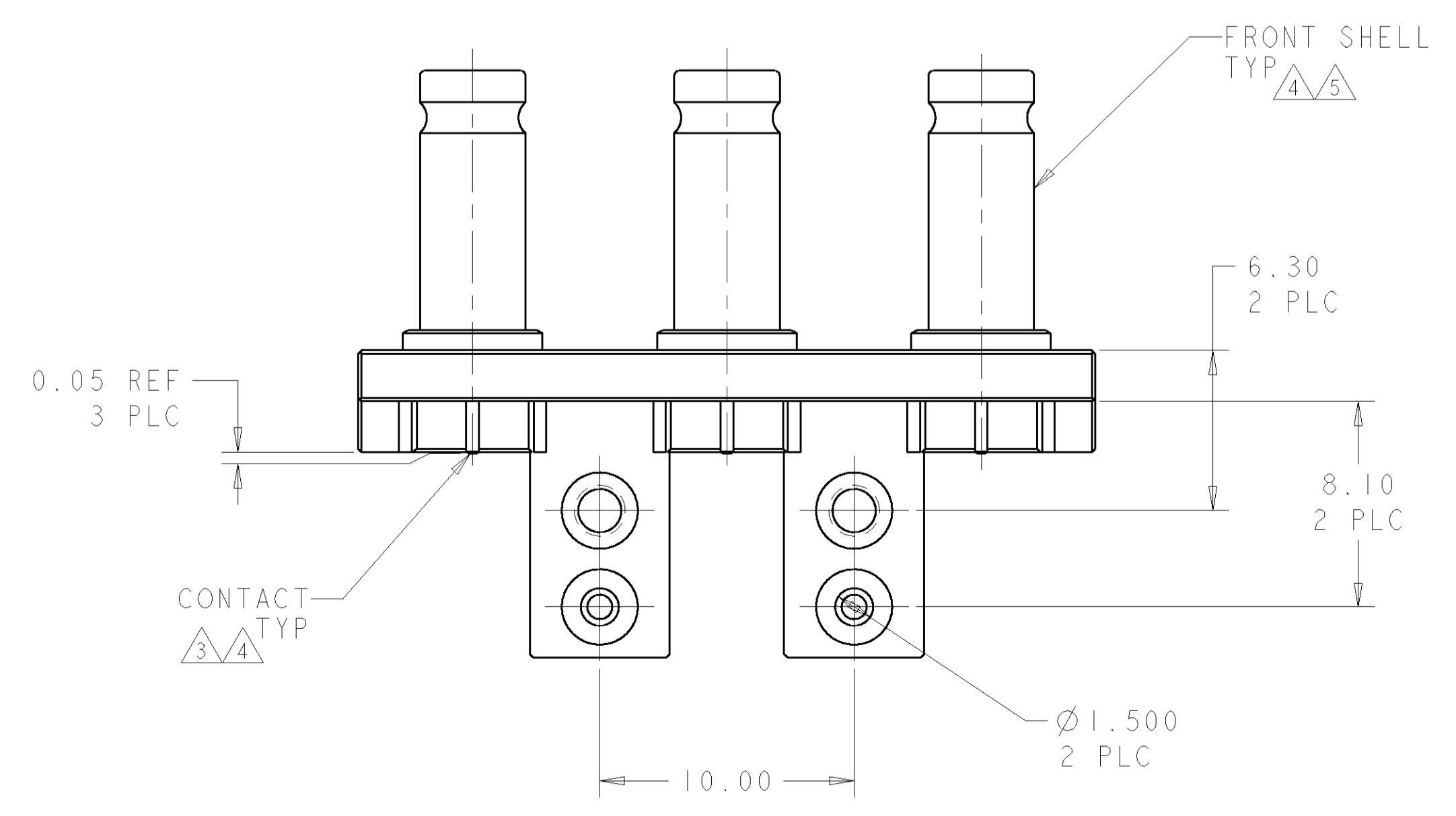
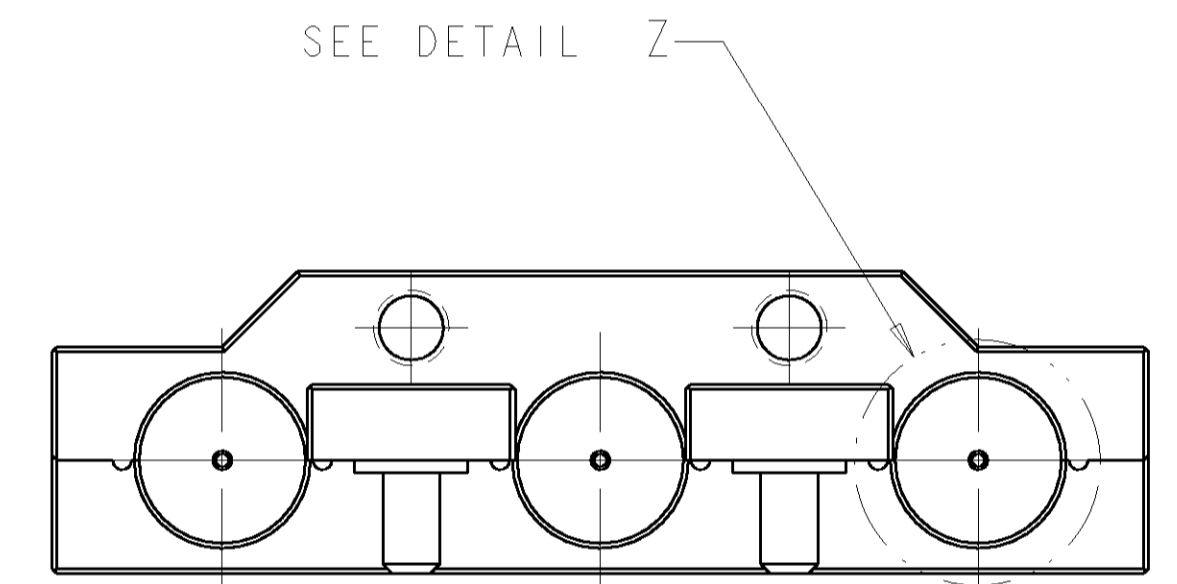
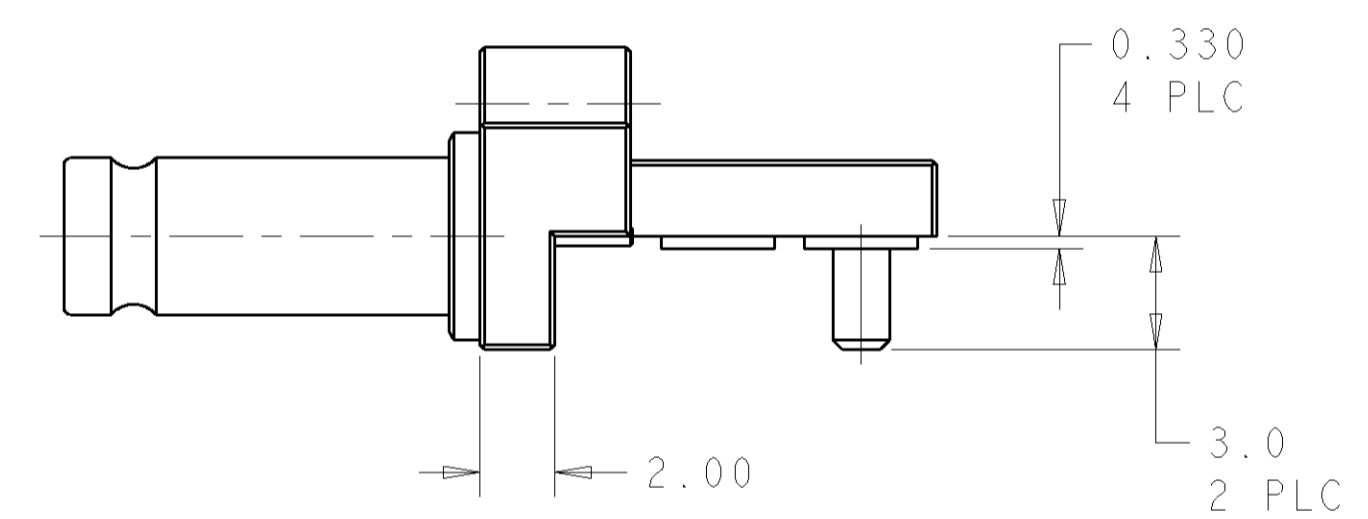
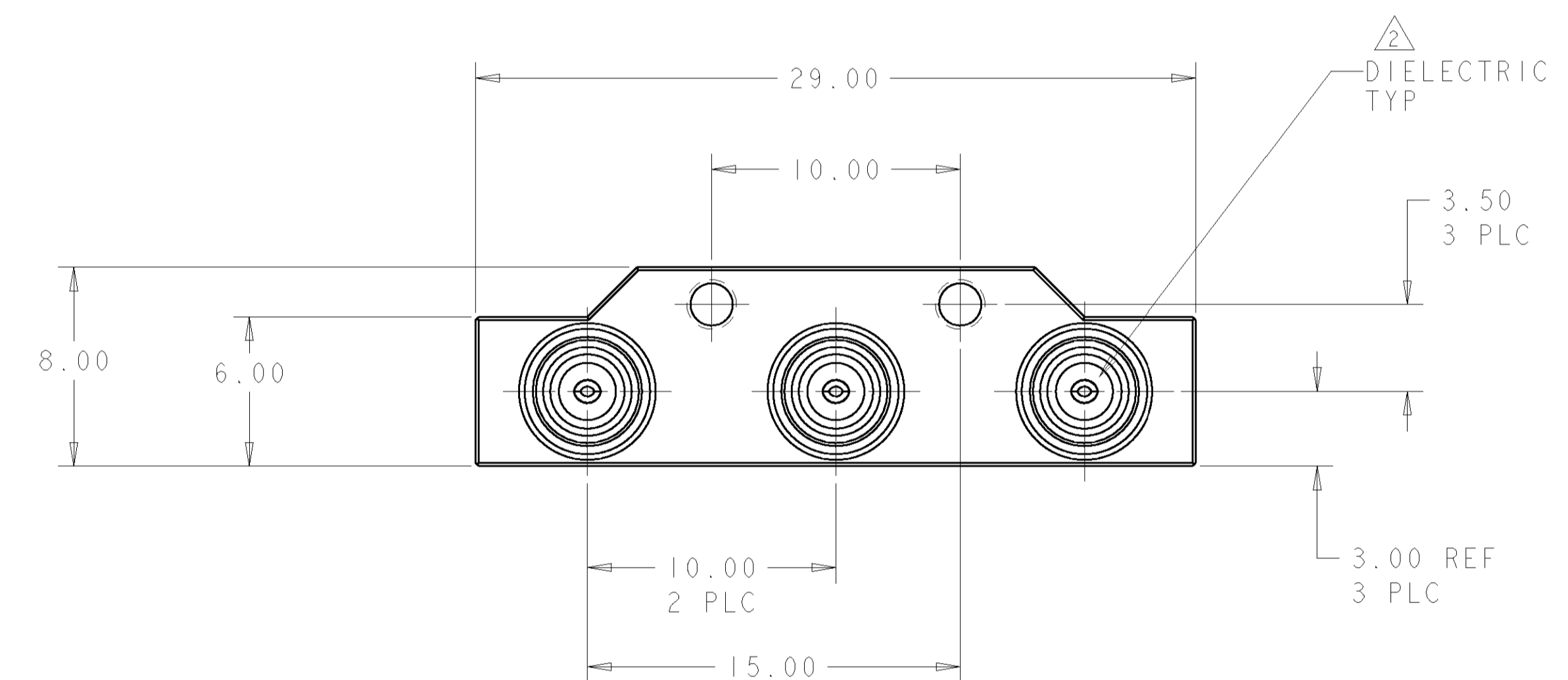


| REVISONS |      | DATE                       | DWN       | APVD  |
|----------|------|----------------------------|-----------|-------|
| LOC      | DIST |                            |           |       |
| AJ       | 16   |                            |           |       |
| P        | LTR  | DESCRIPTION                |           |       |
|          | A    | RELEASED PER ECO-06-015764 | 13JUL2006 | KS KW |



- △ ZINC PER ASTM B 86
- △ PTFE PER ASTM D 1710
- △ BERYLLIUM COPPER PER ASTM B 196
- △ GOLD PLATE PER ASTM B 488
- △ BRASS PER ASTM B 16
- 6. CONNECTOR INTERFACE PER CECC 22 230
- 7. CONNECTOR DESIGNED FOR 0.15 NOMINAL SOLDER PASTE THICKNESS
- 8. CONNECTOR DESIGNED FOR 2.03 NOMINAL PANEL THICKNESS
- 9. CONNECTOR DESIGNED FOR PCB AND PANEL ATTACHMENT WITH M2x0.4 PAN HEAD SCREW. HEAD 4.0 DIA MAX
- 10. PRODUCT HAS NOT COMPLETED VALIDATION TESTING

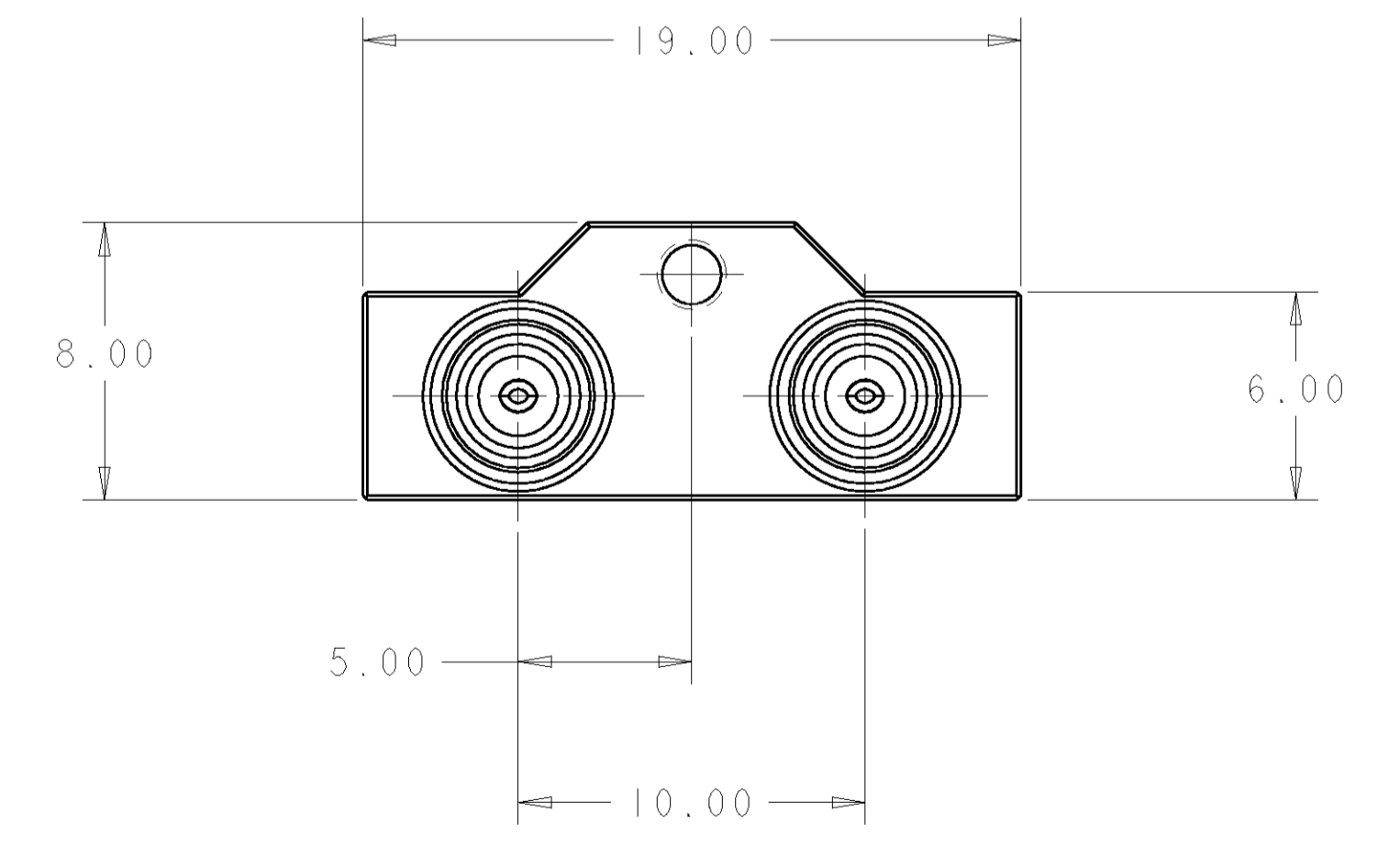
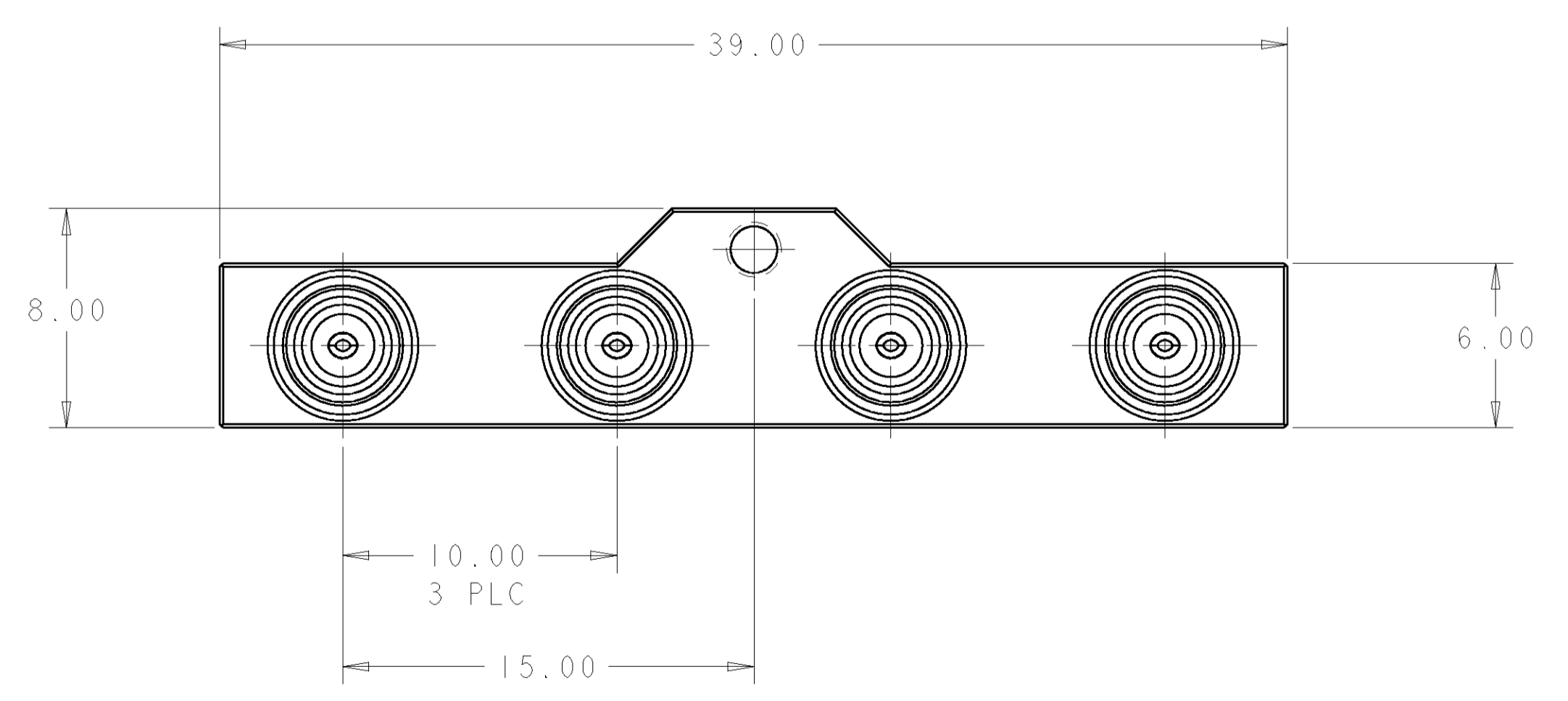
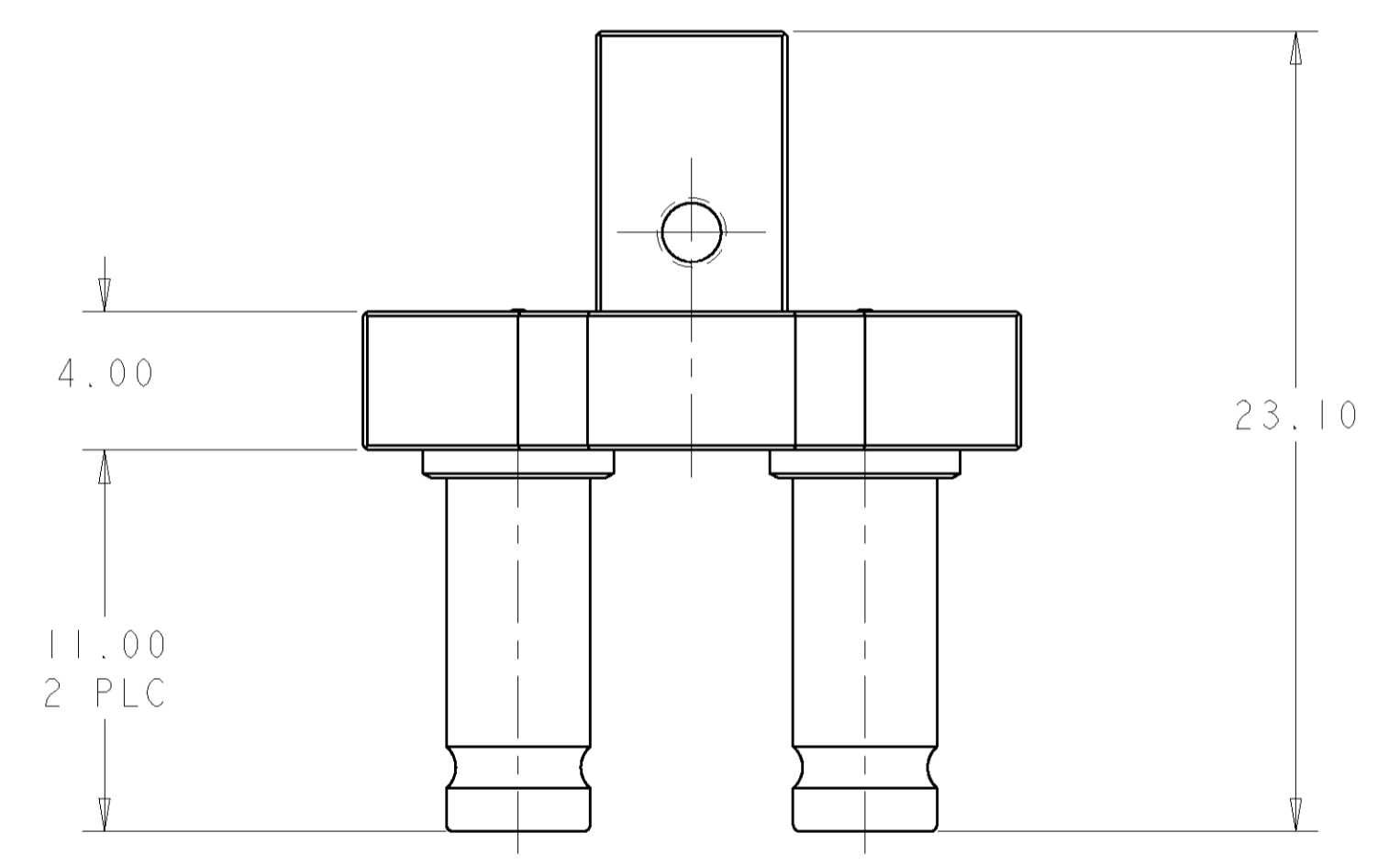
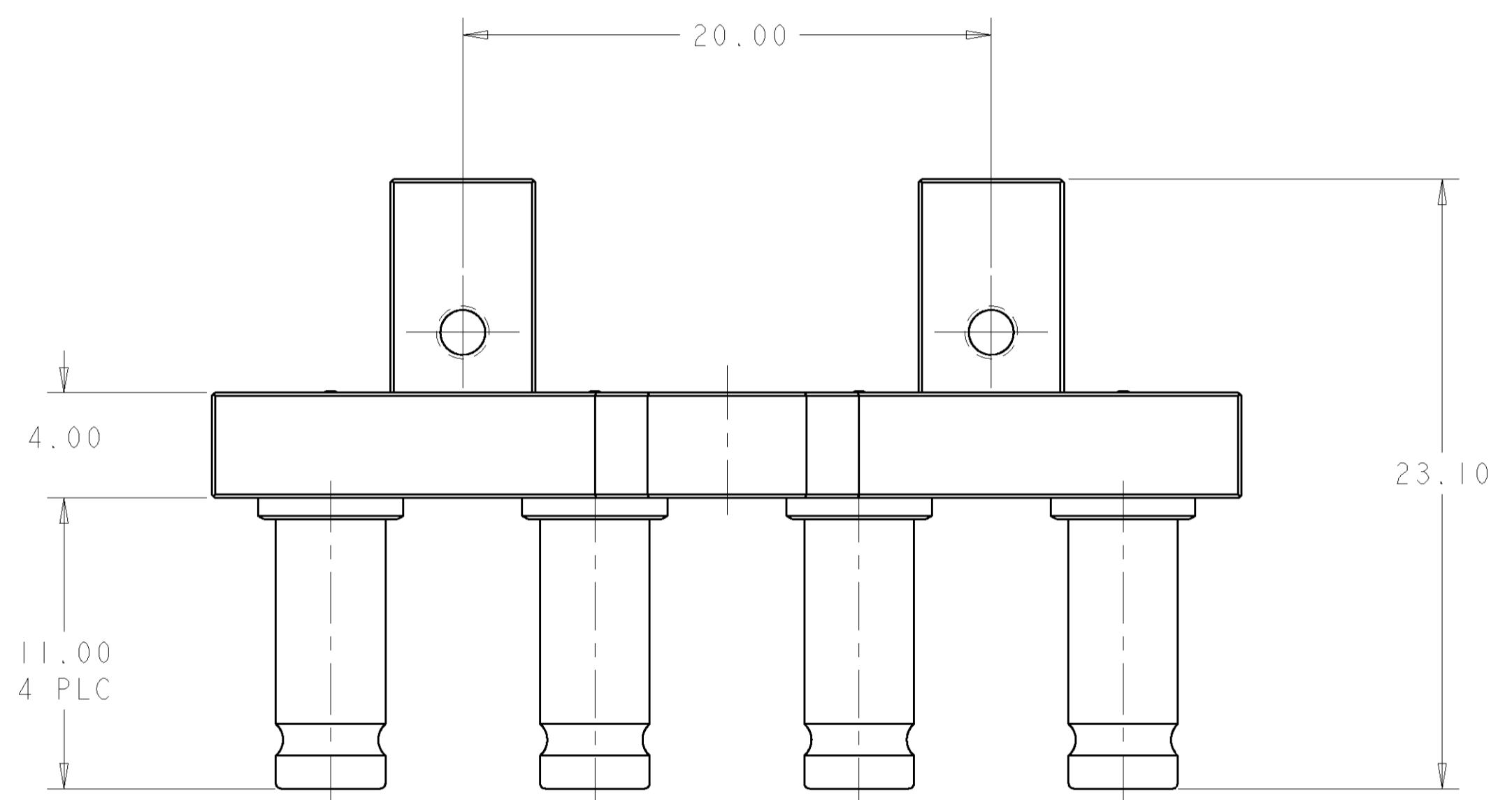
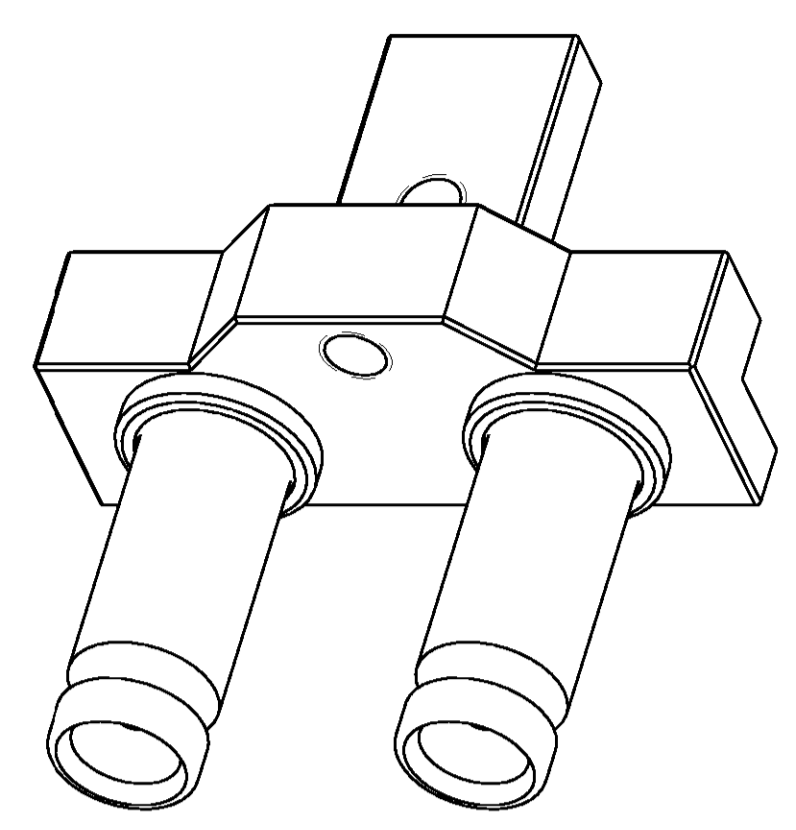
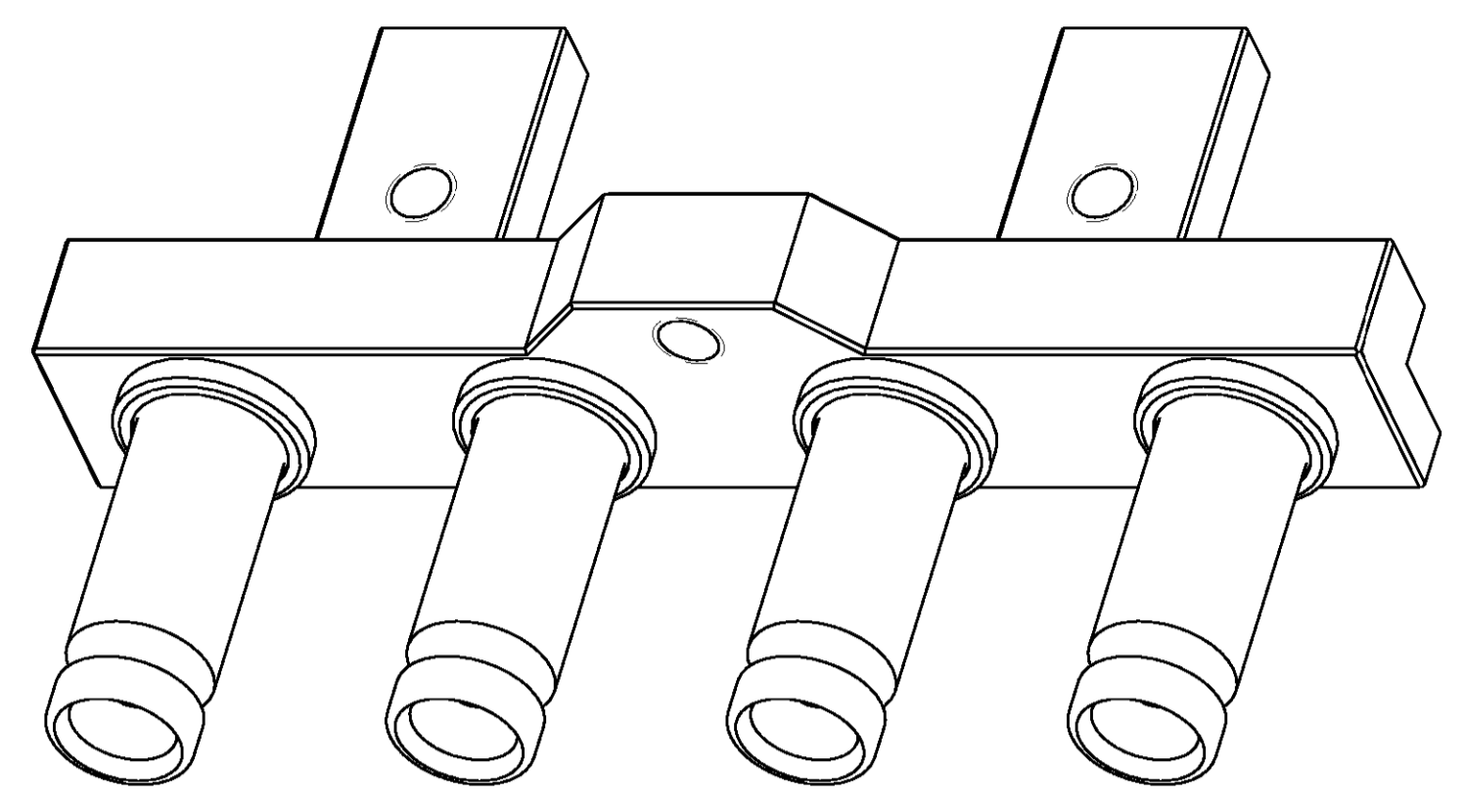


1274714-2  
PART NUMBER

|             |  |  |  |                          |  |  |  |
|-------------|--|--|--|--------------------------|--|--|--|
| DIMENSIONS: |  | TOLERANCES UNLESS OTHERWISE SPECIFIED: |  | DWN DK_SCHRUM 11JAN2006  |  | Tyco Electronics                                     |  |
| mm          |  | 0 PLC ±                                |  | CHK K.WEIDNER 11JAN2006  |  | Tyco Electronics Harrisburg, PA 17105-3608           |  |
| ∅           |  | 1 PLC ±0.26                            |  | APVD K.WEIDNER 11JAN2006 |  | NAME ASSEMBLY, JACK, 3 POSITION, DIN 1.0/2.3, 75 Ohm |  |
| H           |  | 2 PLC ±0.13                            |  | PRODUCT SPEC 108-71032   |  | SIZE CAGE CODE DRAWING NO RESTRICTED TO              |  |
| D           |  | 3 PLC ±0.013                           |  | APPLICATION SPEC         |  | A 100779 C=1274714                                   |  |
| R           |  | 4 PLC ±                                |  | WEIGHT                   |  | SCALE 5:1 SHEET 1 OF 3 REV A                         |  |
| A           |  | ANGLES ±                               |  | FINISH                   |  | CUSTOMER DRAWING                                     |  |



| LOC | DIST | REVISIONS   |      |     |      |
|-----|------|-------------|------|-----|------|
| P   | LTR  | DESCRIPTION | DATE | DNW | APVD |
| AJ  | 16   | SEE SHEET 1 | -    | -   | -    |
|     |      |             |      |     |      |
|     |      |             |      |     |      |



1274714-1  
(PRELIMINARY)

1274714-3  
(PRELIMINARY)

PARTS ON THIS SHEET ARE  
**PRELIMINARY**  
 NOT RELEASED FOR PRODUCTION

|  |   |   |   |
|--|---|---|---|
| <small>THE INFORMATION CONTAINED HEREON IS UNCLASSIFIED EXCEPT WHERE SHOWN OTHERWISE. IT IS THE PROPERTY OF TYCO ELECTRONICS CORPORATION AND IS TO BE CONTAINED AND CONTROLLED BY THE USER. IT IS TO BE KEPT CONFIDENTIAL AND NOT TO BE DISCLOSED TO THE PUBLIC OR TO ANY OTHER ORGANIZATION WITHOUT THE WRITTEN PERMISSION OF TYCO ELECTRONICS CORPORATION.</small> |   | DWN: DK SCHRUM 11JAN2006<br>CHK: K WEIDNER 11JAN2006<br>APVD: K WEIDNER 11JAN2006                           | <b>tyco</b><br>Electronics<br>Tyco Electronics<br>Harrisburg, PA 17105-3608   |
| DIMENSIONS:<br>mm<br>  | TOLERANCES UNLESS OTHERWISE SPECIFIED:<br>0 PLC ±<br>1 PLC ±0.26<br>2 PLC ±0.13<br>3 PLC ±0.13<br>4 PLC ±<br>ANGLES ±<br>FINISH ± | NAME: ASSEMBLY, JACK,<br>3 POSITION, DIN 1.0/2.3,<br>75 Ohm<br>PRODUCT SPEC: 108-71032<br>APPLICATION SPEC: | SIZE: CAGE CODE DRAWING NO. RESTRICTED TO:<br>A   00779   C=1274714  <br>CUSTOMER DRAWING SCALE: 5:1 SHEET 3 OF 3 REV A |

## X-ON Electronics

Largest Supplier of Electrical and Electronic Components

*Click to view similar products for [RF Connectors / Coaxial Connectors](#) category:*

*Click to view products by [TE Connectivity](#) manufacturer:*

Other Similar products are found below :

[R125315120](#) [8915-1511-000](#) [89674-0827](#) [5916-1103-603](#) [0106-001-000](#) [6-0001-3](#) [6001-7071-019](#) [6002-7051-003](#) [6002-7551-202](#) [6059674-1](#) [619550-1](#) [630059-000](#) [M39012/25-0021](#) [M39012/79-3008](#) [M39030/3-01N](#) [M39030/3-03N](#) [M3933/25-36N](#) [6500-7071-046](#) [6501-1071-002](#) [M83723/72W2457N](#) [6769](#) [CX050L2AQ](#) [7002-1541-010](#) [7002-1572-002](#) [7003-1572-002](#) [7004-1512-000](#) [7009-1511-004](#) [7010-1511-000](#) [7029-1511-060](#) [7101-1541-010](#) [7101-1571-002](#) [7105-1521-002](#) [7145-1521-002](#) [7209-1511-011](#) [7210-1511-012](#) [7210-1511-015](#) [7210-1511-019](#) [7210-1511-040](#) [7225-1512-050](#) [7242-1511-000](#) [73137-5015](#) [73251-0111](#) [73251-0672](#) [73276-1501](#) [73366-0013](#) [73404-2300](#) [73413-6080](#) [73415-5721](#) [7405-1521-005](#) [7405-1521-802](#)