

THIS DRAWING IS A CONTROLLED DOCUMENT.

DWN	SJ CHOI	CHK	KT LIM	APVD	HG CHD
TOLERANCES UNLESS OTHERWISE SPECIFIED					
DIMENSIONS:	MM				
FINISH	0 PLC	1 PLC	2 PLC	3 PLC	4 PLC
ANGLES	±0.5	±0.13	±0.013	±0.001	
MATERIAL					
WEIGHT					

CUSTOMER DRAWING

SCALE	1:1	SHEET	1 OF 1	REV	B
DRAWING NO	C-1897688	CAGE CODE	300779	SIZE	A3
PRODUCT SPEC		APPLICATION SPEC		RESTRICTED TO	
NAME	MCP1.5 SEALED 18P REC. HSG ASS'Y				

NO.	PART NO.	DESCRIPTION	MATERIAL	COLOR	QTY
1	1897689-2	REC. HSG	PBT-GF20	BLACK	1
2	1897690-2	CAVITY PLUG HSG	PA6-GB20-GF10	BLACK	1
3	1897691-2	LEVER	PBT-GF20	BLACK	1
4	2005886-1	INNER SEAL	SILICON	DRANGE	1

NOTE ;

1. THE COVER OF REC. HSG ASS'Y MUST BE ORDERED SEPARATELY.

2. APPLICABLE REC. CONTACT ; SEE TABLE 1.

3. APPLICABLE SINGLE WIRE SEAL ; SEE TABLE 2.

4. THE MATING TAB HSG ASS'Y P/N : 1897686-2

5. GENERAL TOLERANCE : ±0.3, ±3.0 .

6. CURCUIT NO.

REC. ASS'Y DESCRIPTION

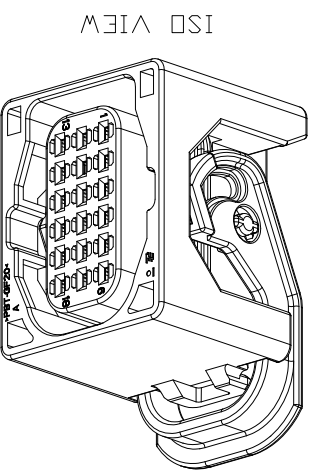
1897688-2 ASS'Y P/N

TABLE 2. APPLICABLE SINGLE WIRE SEALS

WIRE RANGE(mm ²)	INSULATION DIA. (mm)	COLOR	PART NO.
0.35-0.50	1.2-1.6	RED	964971-1
0.50-0.75	1.4-1.9	GREY	963530-1
1.00-1.50	1.9-2.4	YELLOW	964972-1
DEAD END PLUG		WHITE	963531-1

TABLE 1. APPLICABLE REC. CONTACT.

REC.	PART NO.	WIRE RANGE(mm ²)	INSULATION DIA. (FLR)
MCP 1.5	1241378	0.2-0.35	1.1-1.4
	1241380	0.5-1.0	1.4-2.1
	1418884	1.5	2.16-2.4



REVISIONS

LTR	DESCRIPTION	DATE	DWN	APVD
B	REVISED(PCR-14-008909)	21.OCT.14	SJ	HG
A	RELEASE	03.MAR.09	GC	JK

X-ON Electronics

Largest Supplier of Electrical and Electronic Components

Click to view similar products for [Automotive Connectors](#) category:

Click to view products by [TE Connectivity](#) manufacturer:

Other Similar products are found below :

[003-018-000](#) [600858](#) [60403001](#) [60993906-B](#) [60993913-B](#) [629515004020001](#) [M902-2131](#) [M902-2161](#) [M902-2344](#) [72.330.1035.1](#)
[73.353.4028.0](#) [F118010](#) [F119300-B](#) [F132210](#) [F132210-B](#) [F166900](#) [F180100](#) [F258300](#) [F258300-B](#) [F294300-B](#) [F339100](#) [F339700](#) [F358300-](#)
[B](#) [F374110](#) [F407400](#) [F412210](#) [F427600](#) [F444110](#) [F487000](#) [F495100-B](#) [F500900-B](#) [F509500B-B](#) [770444-1](#) [776880-1](#) [827153-1](#) [881735-1](#)
[8N1515-32-24P](#) [9-1326729-8](#) [925467-1](#) [925474-1](#) [928905-1](#) [936398-2](#) [964562-1](#) [964562-4](#) [964731-2](#) [965051-1](#) [968782-1](#) [GT17SA-8DS-](#)
[HU](#) [GT17VS-10DP-5.2CF](#) [98315-0001](#)