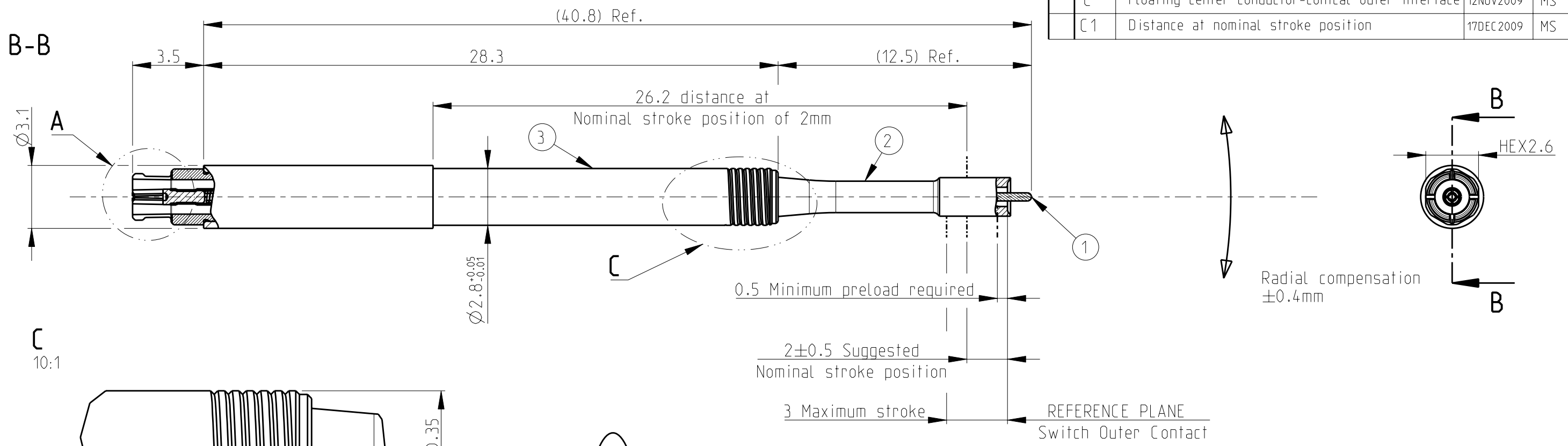


THIS DRAWING IS UNPUBLISHED. RELEASED FOR PUBLICATION 2008
 © COPYRIGHT 2008 BY TYCO ELECTRONICS CORPORATION. ALL RIGHTS RESERVED.

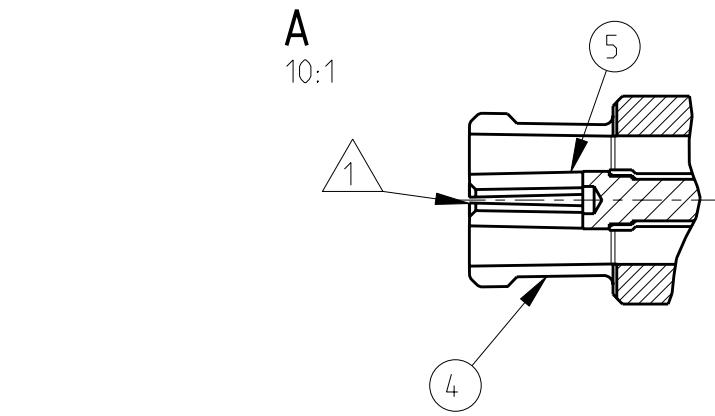
LOC	DIST	REVISIONS			
P	LTR	DESCRIPTION	DATE	DWN	APVD
IS	-	A2	Nominal stroke position changed	20APR2009	MS DB
		B	New springs and RF performance improvement	22SEP2009	MS DB
		C	Floating center conductor-conical outer interface	12NOV2009	MS DB
		C1	Distance at nominal stroke position	17DEC2009	MS MG



Radial compensation
±0.4mm

COUPLING TORQUE:
0.3N/m MAX

619361-1	5	1	CENTER CONTACT	BeCu	Au over NiP
	4	1	OUTER CONTACT	BeCu	Au over NiP
	3	1	OUTER SHELL	BRASS	Au over NiP
	2	1	FLOATING SHELL	BRASS	Au over NiP
	1	1	CENTER CONTACT PIN	BeCu	Au over NiP
TE P/N	ITEM NO.	PIECES	DESCRIPTION	MATERIAL	PLATING



- 1 SNAP FIT CONNECTORS SMPM: Interface according to MIL-STD-348.
- 2) PROBE IMPEDANCE: 50Ω ± 5%
- 3 General Tolerances ISO 2768-mK

<small>THIS DRAWING IS A CONTROLLED DOCUMENT FOR TYCO ELECTRONICS CORPORATION IT IS SUBJECT TO CHANGE AND THE CONTROLLING ENGINEERING ORGANIZATION SHOULD BE CONTACTED FOR THE LATEST REVISION.</small>		DWN M.Scheggia 29APR2008 CHK D.Bozzer 29APR2008 APVD -	Tyco Electronics Tyco Electronics Lugano - Switzerland
DIMENSIONS: mm 	TOLERANCES UNLESS OTHERWISE SPECIFIED: 0 PLC ±- 1 PLC ±- 2 PLC ±- 3 PLC ±- 4 PLC ±- ANGLES ±2°	PRODUCT SPEC 108-71086 APPLICATION SPEC - WEIGHT -	NAME Mass Production Test probe Pico switch SIZE A3 CAGE CODE 00779 DRAWING NO C-619361 RESTRICTED TO -
MATERIAL See table	FINISH See table	CUSTOMER DRAWING	SCALE 5:1 SHEET 1 OF 1 REV C1

X-ON Electronics

Largest Supplier of Electrical and Electronic Components

Click to view similar products for [Test Probes](#) category:

Click to view products by [TE Connectivity](#) manufacturer:

Other Similar products are found below :

[6214](#) [6265](#) [6474](#) [815003](#) [923832-BK-B](#) [P-KIT-1](#) [R941850000](#) [925250-R](#) [72923-2](#) [923848-C](#) [973368101](#) [972318101](#) [972318100](#)
[MXHQ87WJ3000](#) [66.9115-23](#) [850182](#) [TAS90](#) [VL1735/45](#) [973368100](#) [972327100](#) [972327101](#) [975017700](#) [975018700](#) [973995100](#)
[973995101](#) [100039-080-958](#) [CT3986B-120](#) [CT3987B-120](#) [CT3983B-120](#) [CT3979B-150](#) [CT3981B-120](#) [CT3985B-120](#) [402-IEC-RT](#) [402-](#)
[IEC-SW](#) [404-IEC-RT](#) [AX-CP-01-SET](#) [AX-CP-05-B](#) [AX-CP-05-R](#) [464-IEC-NEEDLE13/0,6-RT](#) [464-IEC-NEEDLE13/0,6-SW](#) [464-IEC-RT](#)
[464-IEC-SW](#) [00043](#) [404-IEC-SW](#) [00125](#) [1445](#) [MPS1RT](#) [0602 4592](#) [0602 4892](#) [0628 0020](#)