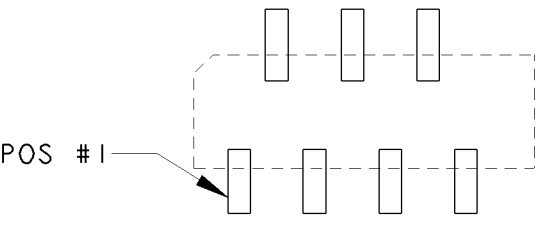
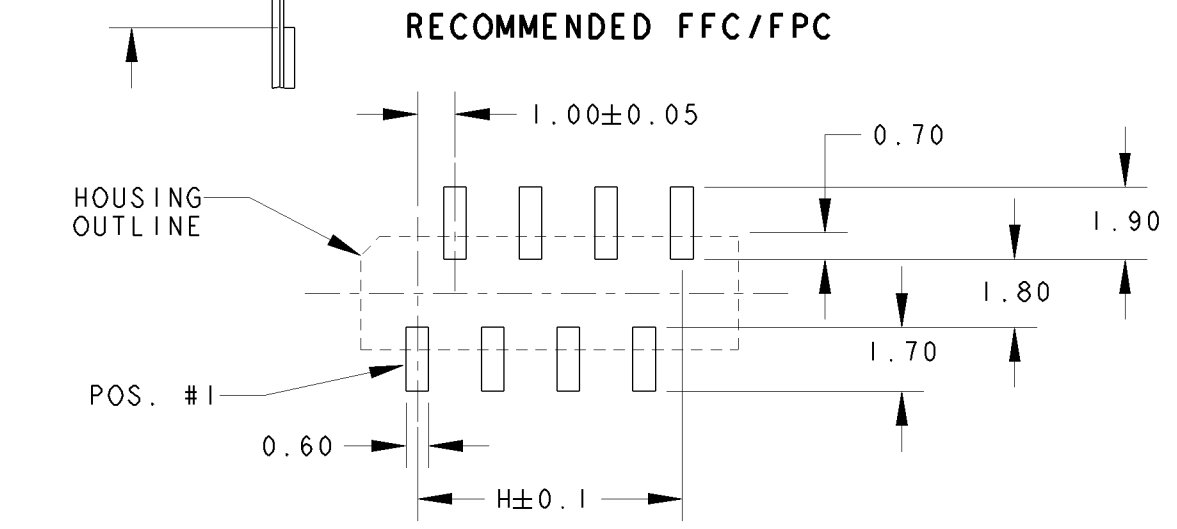
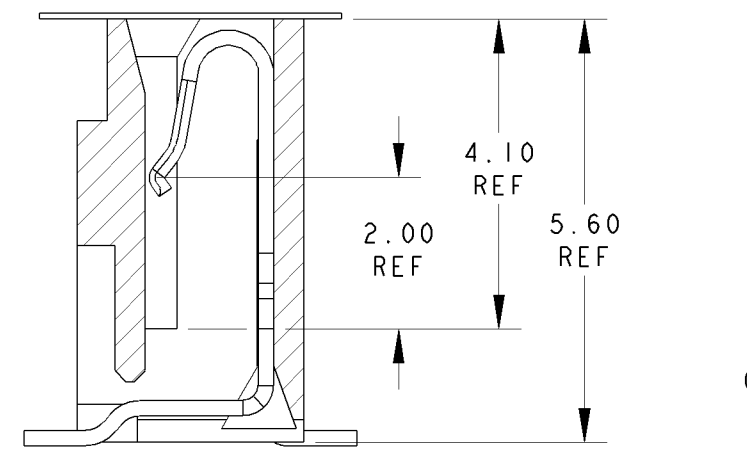
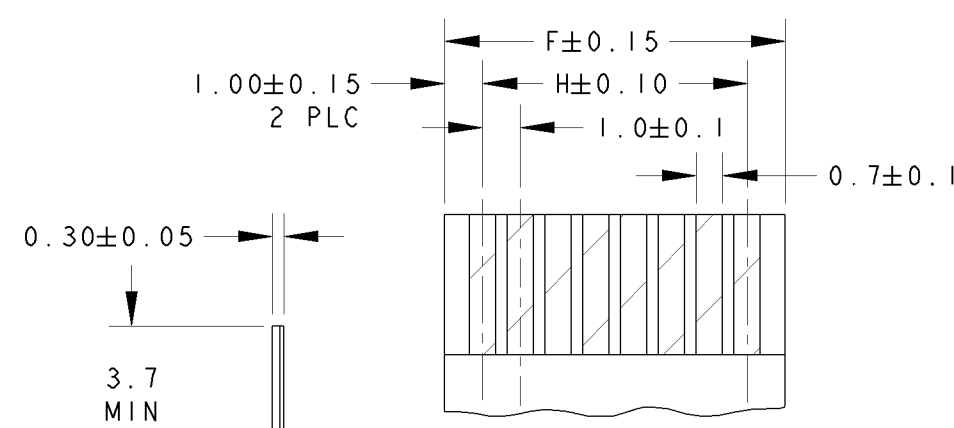


THIS DRAWING IS UNPUBLISHED. RELEASED FOR PUBLICATION .19  
 © COPYRIGHT 19 BY AMP INCORPORATED. ALL RIGHTS RESERVED.

LOC		DIST		REVISIONS					
DY		-		P	LTR	DESCRIPTION	DATE	DWN	APVD
				L		REVISED ECR-10-012020	23JUL10	LYM	LSF

NOTES:  
 1 MATERIAL:  
 HOUSING: GLASS FILLED HIGH TEMP NYLON, NATURAL COLOR (BEIGE)  
 CONTACT: PHOSPHOR BRONZE  
 2 FINISH: MATTE TIN OVER NICKEL UNDERPLATE  
 3. PACKAGING: TAPE & REEL (PACKAGING SPEC: 107-51189)



RECOMMENDED PCB LAYOUT  
 (NON-ACCUMULATIVE TOLERANCE)  
 (FOR EVEN POSITION CONNECTORS)

29.00	32.00	31.00	31.00	10.0	30	3-	-0
28.00	31.00	30.00	30.00		29	2-	-9
27.00	30.00	29.00	29.00		28	2-	-8
26.00	29.00	28.00	28.00		27	2-	-7
25.00	28.00	27.00	27.00		26	2-	-6
24.00	27.00	26.00	26.00		25	2-	-5
23.00	26.00	25.00	25.00		24	2-	-4
22.00	25.00	24.00	24.00		23	2-	-3
21.00	24.00	23.00	23.00		22	2-	-2
20.00	23.00	22.00	22.00		21	2-	-1
19.00	22.00	21.00	21.00	20	2-	-0	
18.00	21.00	20.00	20.00	19	1-	-9	
17.00	20.00	19.00	19.00	18	1-	-8	
16.00	19.00	18.00	18.00	17	1-	-7	
15.00	18.00	17.00	17.00	16	1-	-6	
14.00	17.00	16.00	16.00	15	1-	-5	
13.00	16.00	15.00	15.00	14	1-	-4	
12.00	15.00	14.00	14.00	13	1-	-3	
11.00	14.00	13.00	13.00	12	1-	-2	
10.00	13.00	12.00	12.00	11	1-	-1	
9.00	12.00	11.00	11.00	10	1-	-0	
8.00	11.00	10.00	10.00	9		-9	
7.00	10.00	9.00	9.00	8		-8	
6.00	9.00	8.00	8.00	7		-7	
5.00	8.00	7.00	7.00	6		-6	
4.00	7.00	6.00	6.00	5		-5	
3.00	6.00	5.00	5.00	4		1735042-4	

H	G	F	E	D	POS.	ON TAPE PART NO.
---	---	---	---	---	------	------------------

THIS DRAWING IS A CONTROLLED DOCUMENT FOR AMP INCORPORATED. IT IS SUBJECT TO CHANGE AND THE CONTROLLING ENGINEERING ORGANIZATION SHOULD BE CONTACTED FOR THE LATEST REVISION.

CHK WYLEE 25JUN04  
 LP TAN  
 APVD SF LEONG  
 PRODUCT SPEC 108-51054  
 APPLICATION SPEC -  
 WEIGHT -  
 MATERIAL 1  
 FINISH 2

**Tyco Electronics** Tyco Electronics Corporation Singapore

NAME ON TAPING (EMBOSS)  
 ASSY, 1.00mm FFC CONN. WITH KAPTON TAPE SMT, V, (NON-ZIF)

SIZE A3 CAGE CODE 00779 DRAWING NO C-1735042

CUSTOMER DRAWING SCALE 2:1 SHEET 1 OF 1 REV L

## X-ON Electronics

Largest Supplier of Electrical and Electronic Components

*Click to view similar products for [FFC & FPC Connectors](#) category:*

*Click to view products by [TE Connectivity](#) manufacturer:*

Other Similar products are found below :

[HFW11R-1STE1H1LF](#) [FH29B-100S-0.2SHW\(99\)](#) [FA5S008HP1](#) [FH29B-120S-0.2SHW\(99\)](#) [FH29B-80S-0.2SHW\(99\)](#) [FHS-16](#) [FPH-2022G](#)  
[52610-1075](#) [52610-1275](#) [52610-1934](#) [XF3M\(1\)-1415-1B-R100](#) [501864-3091-TR225](#) [0525594033](#) [086210010340800](#) [086222026001800](#)  
[52271-2869-CUT-TAPE](#) [62674-201121DLF](#) [62684-36210E9ALF](#) [52610-1675](#) [52746-1671-TR250](#) [10051922-2810EHLF](#) [6-520415-9](#)  
[BD021-09A-A1-0350-0200-0550-LD](#) [SFV6R-1STE9HLF](#) [XF3M-2915-1B-R100](#) [1658549-1](#) [62674-221121ALF](#) [46214008010800](#)  
[046298003000883](#) [151660622](#) [842-816-2630-035](#) [AYF530665TA](#) [AYF351525](#) [046296011930846+](#) [AYF352325A](#) [046254020000800+](#)  
[FH19C-13S-0.5SH\(99\)](#) [FH39J-51S-0.3SHW\(99\)](#) [AYF355125A](#) [AYF530365TA](#) [FH29B-44S-0.2SHW\(99\)](#) [SFW5R-2STAE9LF](#) [AYF351125A](#)  
[AYF350725A](#) [62684-502100AHLF](#) [FH39-61S-0.3SHW\(99\)](#) [AYF414035A](#) [10064555-172520HLF](#) [AYF212335A](#) [504754-2500](#)