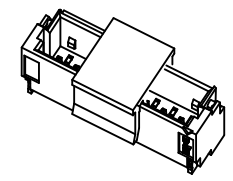
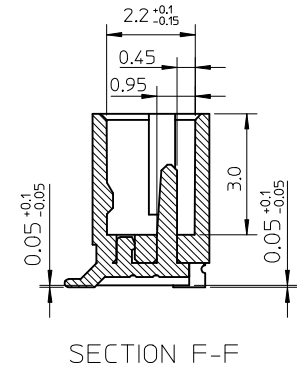
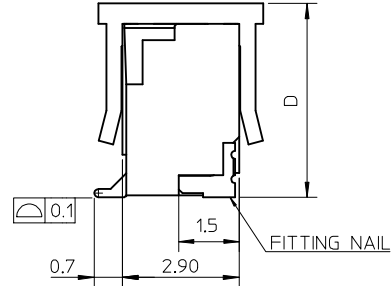
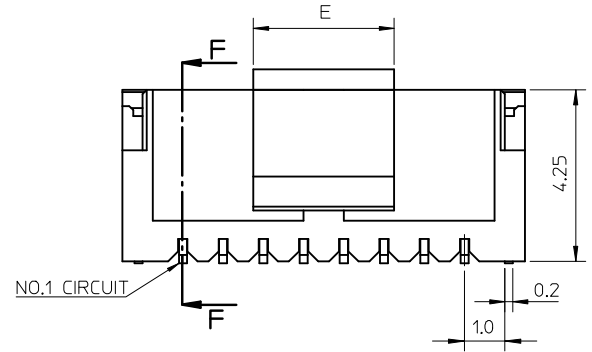
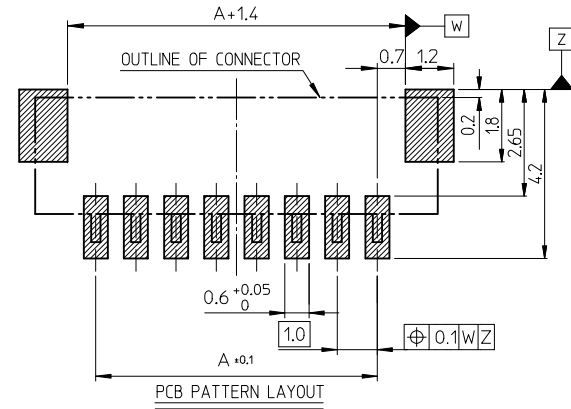
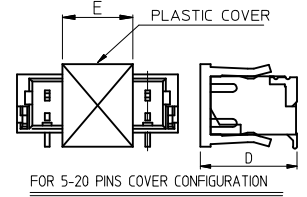
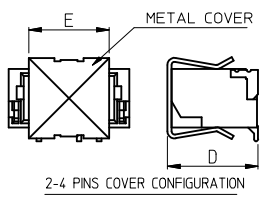
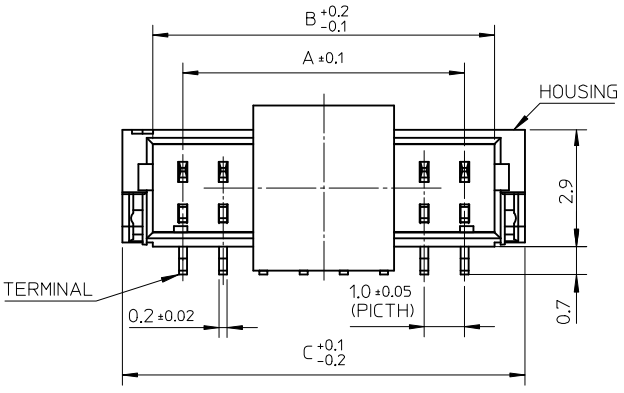


10 9 8 7 6 5 4 3 2 1

F
E
D
C
B
A

F
E
D
C
B
A



NOTES:
 1.COPLANARITY IS 0.1 mm MAX.
 2.MATERIAL : HOUSING: FOR 48226-XXX1 & 48226-XXX2
 NYLON, GLASS FILLED,UL 94V-0,
 COLOR: SEE TABLE
 FOR 48226-XXX3
 LCP, HALOGEN FREE,
 40% GLASS FILLED,UL 94V-0,
 COLOR: SEE TABLE
 TERMINAL: COPPER ALLOY
 FITTING NAIL: COPPER ALLOY
 PICK AND PLACE COVER :
 (FOR 2~4 PINS) COPPER ALLOY
 (FOR 5~20 PINS) NYLON, GLASS FILLED, UL94V-0,
 COLOR: NATURE(WHITE)

3.FINISHES :
 TERMINAL: SEE TABLE
 FITTING NAIL: SEE TABLE
 PICK AND PLACE COVER (FOR 2~4 PINS): NICKEL PLATED.
 4.PRODUCT SPECIFICATION REFER TO PS-48226-001
 5.PACKAGING DRAWING REFER TO PK-48226-001
 6.TEST SUMMARY REFER TO TS-48226-001
 7.APPLICABLE PLUG HOUSING: 48228 SERIES.
 8.LEAD-FREE AND RoHS COMPLIANT PRODUCT

REVISE	EC NO: SH2014-0549	2014/06/20	QUALITY SYMBOLS	GENERAL TOLERANCES (UNLESS SPECIFIED)		DIMENSION STYLE		SCALE	DESIGN UNITS	THIRD ANGLE PROJECTION
	DRWN:FYANG05	2014/07/15		mm	INCH	MM ONLY	8:1	METRIC		
	CHKD:			4 PLACES	± ---	± ---	DRAWN BY	DATE	TITLE	
	APPR:RZHANG			3 PLACES	± ---	± ---	BERNIE	2005/11/04	1.0 MM WTB VERTICAL HEADER SMT TYPE	
				2 PLACES	± 0.25	± ---	CHECKED BY	DATE		
				1 PLACE	± 0.25	± ---	ERIC KAO	2005/11/04		
				ANGULAR ± 3 °		APPROVED BY		DATE	MOLEX INCORPORATED	
				DRAFT WHERE APPLICABLE MUST REMAIN WITHIN DIMENSIONS		RZHANG		2010/04/14	DOCUMENT NO.	SHEET NO.
						MATERIAL NO.		SEE TABLE	SD-48226-001	1 OF 5
						SIZE		THIS DRAWING CONTAINS INFORMATION THAT IS PROPRIETARY TO MOLEX INCORPORATED AND SHOULD NOT BE USED WITHOUT WRITTEN PERMISSION		
						A3				

9 8 7 6 5 4 3 2 1

MOLEX PART NO.	HOUSING COLOR&MATERIAL	TERMINAL PLATING	FITTING NAIL PLATING	DIMA	DIMB	DIMC	DIMD	DIME	CKT	COVER MATERIAL
48226-0201	NATURE(WHITE) NYLON	GOLD FLASH OVER ALL THICKNESS : 0.025 MICROMETER MINIMUM NICKEL UNDER PLATED OVER ALL	GOLD FLASH OVER ALL THICKNESS : 0.025 MICROMETER MINIMUM NICKEL UNDER PLATED OVER ALL	1.0	2.4	4.0	4.5	4.0	2	COPPER ALLOY
48226-0301				2.0	3.4	5.0			3	
48226-0302	BLACK NYLON			3.0	4.4	6.0			4	
48226-0401	NATURE(WHITE) NYLON			4.0	5.4	7.0			4.8	
48226-0501				5.0	6.4	8.0	6			
48226-0601				6.0	7.4	9.0	7			
48226-0701				7.0	8.4	10.0	8			
48226-0801				8.0	9.4	11.0	9			
48226-0901				9.0	10.4	12.0	10			
48226-1001				10.0	11.4	13.0	11			
48226-1101				11.0	12.4	14.0	12			
48226-1201				12.0	13.4	15.0	13			
48226-1301				13.0	14.4	16.0	14			
48226-1401				14.0	15.4	17.0	15			
48226-1501				15.0	16.4	18.0	16			
48226-1601				16.0	17.4	19.0	17			
48226-1701				17.0	18.4	20.0	18			
48226-1801				18.0	19.4	21.0	19			
48226-1901				19.0	20.4	22.0	20			
48226-0211	NATURE(WHITE) NYLON			TIN PLATED (MATTE) OVER ALL THICKNESS : 2.54 MICROMETER MINIMUM NICKEL UNDER PLATED OVER ALL	TIN PLATED (MATTE) OVER ALL THICKNESS : 2.54 MICROMETER MINIMUM NICKEL UNDER PLATED OVER ALL	1.0	2.4	4.0	4.5	4.0
48226-0311	BLACK NYLON	2.0	3.4			5.0	3			
48226-0312	BLACK NYLON	3.0	4.4			6.0	4			
48226-0511	NATURE(WHITE) NYLON	4.0	5.4			7.0	4.8	3.5	5	NYLON UL94 V-0
48226-0611		5.0	6.4			8.0			6	
48226-0711		6.0	7.4			9.0			7	
48226-0811		7.0	8.4			10.0			8	
48226-0911		8.0	9.4			11.0			9	

REVISE EC NO: SH2014-0549 DRW:FWYANG05 2014/06/20 CHKD: APPR:RZHANG 2014/07/15	QUALITY SYMBOLS	GENERAL TOLERANCES (UNLESS SPECIFIED)	DIMENSION STYLE	SCALE	DESIGN UNITS	THIRD ANGLE PROJECTION
	▽F=0	mm INCH	MM ONLY	1:1	METRIC	
	▽F=0	4 PLACES ± --- ± ---	DRAWN BY DATE	TITLE		
	▽F=0	3 PLACES ± --- ± ---	BERNIE 2005/11/04	1.0 MM WTB VERTICAL HEADER SMT TYPE		
	2 PLACES ± 0.25 ± ---	CHECKED BY DATE	MATERIAL NO. DOCUMENT NO.			
	1 PLACE ± 0.25 ± ---	ERIC KAO 2005/11/04	MOLEX INCORPORATED			
	ANGULAR ± 3 °	APPROVED BY DATE	SD-48226-001			
		RZHANG 2010/04/14	SEE TABLE			
		MATERIAL NO. DOCUMENT NO.	SHEET NO.			
			2 OF 5			
			THIS DRAWING CONTAINS INFORMATION THAT IS PROPRIETARY TO MOLEX INCORPORATED AND SHOULD NOT BE USED WITHOUT WRITTEN PERMISSION			

MOLEX PART NO.	HOUSING COLOR&MATERIAL	TERMINAL PLATING	FITTING NAIL PLATING	DIMA	DIMB	DMC	DMD	DIME	CKT	COVER MATERIAL			
48226-1011	NATURE(WHITE) NYLON	TIN PLATED (MATTE) OVER ALL THICKNESS : 2.54 MICROMETER MINIMUM NICKEL UNDER PLATED OVER ALL	TIN PLATED (MATTE) OVER ALL THICKNESS : 2.54 MICROMETER MINIMUM NICKEL UNDER PLATED OVER ALL	9.0	10.4	12.0	4.8	3.5	10	NYLON UL94 V-0			
48226-1111				10.0	11.4	13.0			11				
48226-1211				11.0	12.4	14.0			12				
48226-1311				12.0	13.4	15.0			13				
48226-1411				13.0	14.4	16.0			14				
48226-1511				14.0	15.4	17.0			15				
48226-1611				15.0	16.4	18.0			16				
48226-1711				16.0	17.4	19.0			17				
48226-1811				17.0	18.4	20.0			18				
48226-1911				18.0	19.4	21.0			19				
48226-2011	19.0	20.4	22.0	20									
48226-0221	NATURE(WHITE) NYLON	TIN PLATED (BRIGHT) OVER ALL THICKNESS : 0.025 MICROMETER MINIMUM NICKEL UNDER PLATED OVER ALL	TIN PLATED (BRIGHT) OVER ALL THICKNESS : 0.025 MICROMETER MINIMUM NICKEL UNDER PLATED OVER ALL	1.0	2.4	4.0	4.5	4.0	2	COPPER ALLOY			
48226-0321	BLACK NYLON			2.0	3.4	5.0			3				
48226-0322				3.0	4.4	6.0			4				
48226-0421	NATURE(WHITE) NYLON			4.0	5.4	7.0			4.8		3.5	5	NYLON UL94 V-0
48226-0521				5.0	6.4	8.0						6	
48226-0621				6.0	7.4	9.0						7	
48226-0721				7.0	8.4	10.0						8	
48226-0821				8.0	9.4	11.0						9	
48226-0921				9.0	10.4	12.0						10	
48226-1021				10.0	11.4	13.0						11	
48226-1121		11.0	12.4	14.0	12								
48226-1221		12.0	13.4	15.0	13								
48226-1321		13.0	14.4	16.0	14								
48226-1421	14.0	15.4	17.0	15									
48226-1521	15.0	16.4	18.0	16									
48226-1621	16.0	17.4	19.0	17									
48226-1721	17.0	18.4	20.0	18									
48226-1821	18.0	19.4	21.0	19									
48226-1921	19.0	20.4	22.0	20									

REVISE EC NO: SH2014-0549 DRWN: FYANG05 2014/06/20 CHKD: APPR: RZHANG 2014/07/15 REV	QUALITY SYMBOLS	GENERAL TOLERANCES (UNLESS SPECIFIED)	DIMENSION STYLE	SCALE	DESIGN UNITS	THIRD ANGLE PROJECTION	
	$\nabla_A = 0$ $\nabla_G = 0$ $\nabla_F = 0$	mm INCH 4 PLACES ± --- ± --- 3 PLACES ± --- ± --- 2 PLACES ± 0.25 ± --- 1 PLACE ± 0.25 ± --- ANGULAR ± 3 °	MM ONLY	1:1	METRIC	DRAWN BY: BERNIE DATE: 2005/11/04 CHECKED BY: ERIC KAO DATE: 2005/11/04 APPROVED BY: RZHANG DATE: 2010/04/14	TITLE: 1.0 MM WTB VERTICAL HEADER SMT TYPE MATERIAL NO. SEE TABLE DOCUMENT NO. SD-48226-001
		DRAFT WHERE APPLICABLE MUST REMAIN WITHIN DIMENSIONS	SEE TABLE			MOLEX INCORPORATED SHEET NO. 3 OF 5	
				SIZE A3	THIS DRAWING CONTAINS INFORMATION THAT IS PROPRIETARY TO MOLEX INCORPORATED AND SHOULD NOT BE USED WITHOUT WRITTEN PERMISSION		

MOLEX PART NO.	HOUSING COLOR&MATERIAL	TERMINAL PLATING	FITTING NAIL PLATING	DIMA	DIMB	DIMC	DIMD	DIME	CKT	COVER MATERIAL
48226-0203	BLACK LCP HALOGEN FREE	GOLD FLASH OVER ALL THICKNESS : 0.025 MICROMETER MINIMUM NICKEL UNDER PLATED OVER ALL	GOLD FLASH OVER ALL THICKNESS : 0.025 MICROMETER MINIMUM NICKEL UNDER PLATED OVER ALL	1.0	2.4	4.0	4.5	4.0	2	COPPER ALLOY
48226-0303				2.0	3.4	5.0			3	
48226-0403				3.0	4.4	6.0			4	
48226-0503				4.0	5.4	7.0	5	NYLON UL94 V-0		
48226-0603				5.0	6.4	8.0	6			
48226-0703				6.0	7.4	9.0	7			
48226-0803				7.0	8.4	10.0	8			
48226-0903				8.0	9.4	11.0	9			
48226-1003				9.0	10.4	12.0	4.8		3.5	10
48226-1103				10.0	11.4	13.0				11
48226-1203				11.0	12.4	14.0				12
48226-1303				12.0	13.4	15.0				13
48226-1403				13.0	14.4	16.0				14
48226-1503				14.0	15.4	17.0				15
48226-1603				15.0	16.4	18.0				16
48226-1703				16.0	17.4	19.0				17
48226-1803				17.0	18.4	20.0	18			
48226-1903				18.0	19.4	21.0	19			
48226-2003				19.0	20.4	22.0	20			
48226-0213				BLACK LCP HALOGEN FREE	TIN PLATED (MATTE) OVER ALL THICKNESS : 2.54 MICROMETER MINIMUM NICKEL UNDER PLATED OVER ALL	TIN PLATED (MATTE) OVER ALL THICKNESS : 2.54 MICROMETER MINIMUM NICKEL UNDER PLATED OVER ALL	1.0	2.4	4.0	4.5
48226-0313	2.0	3.4	5.0				3			
48226-0413	3.0	4.4	6.0				4			
48226-0513	4.0	5.4	7.0				5	NYLON UL94 V-0		
48226-0613	5.0	6.4	8.0				6			
48226-0713	6.0	7.4	9.0				7			
48226-0813	7.0	8.4	10.0				8			
48226-0913	8.0	9.4	11.0				9			

REVISE IEC NO: SH2014-0549 T1:DRW:NYANG05 2014/06/20 CH:KD: APPR:RZHANG 2014/07/15 REV	QUALITY SYMBOLS	GENERAL TOLERANCES (UNLESS SPECIFIED)	DIMENSION STYLE	SCALE	DESIGN UNITS	THIRD ANGLE PROJECTION
	$\nabla_A = 0$ $\nabla_B = 0$ $\nabla_C = 0$	mm INCH 4 PLACES ± --- ± --- 3 PLACES ± --- ± --- 2 PLACES ± 0.25 ± --- 1 PLACE ± 0.25 ± --- ANGULAR ± 3°	MM ONLY	1:1	METRIC	
		DRAFT WHERE APPLICABLE MUST REMAIN WITHIN DIMENSIONS	DRAWN BY DATE BERNIE 2005/11/04 CHECKED BY DATE ERIC KAO 2005/11/04 APPROVED BY DATE RZHANG 2010/04/14 MATERIAL NO.	TITLE	1.0 MM WTB VERTICAL HEADER SMT TYPE	
			SEE TABLE THIS DRAWING CONTAINS INFORMATION THAT IS PROPRIETARY TO MOLEX INCORPORATED AND SHOULD NOT BE USED WITHOUT WRITTEN PERMISSION	MOLEX INCORPORATED DOCUMENT NO. SD-48226-001 SHEET NO. 4 OF 5		

MOLEX PART NO.	HOUSING COLOR&MATERIAL	TERMINAL PLATING	FITTING NAIL PLATING	DIMA	DIMB	DIMC	DIMD	DIME	CKT	COVER MATERIAL			
48226-1013	BLACK LCP HALOGEN FREE	TIN PLATED (MATTE) OVER ALL THICKNESS : 2.54 MICROMETER MINIMUM NICKEL UNDER PLATED OVER ALL	TIN PLATED (MATTE) OVER ALL THICKNESS : 2.54 MICROMETER MINIMUM NICKEL UNDER PLATED OVER ALL	9.0	10.4	12.0	4.8	3.5	10	NYLON UL94 V-0			
48226-1113				10.0	11.4	13.0			11				
48226-1213				11.0	12.4	14.0			12				
48226-1313				12.0	13.4	15.0			13				
48226-1413				13.0	14.4	16.0			14				
48226-1513				14.0	15.4	17.0			15				
48226-1613				15.0	16.4	18.0			16				
48226-1713				16.0	17.4	19.0			17				
48226-1813				17.0	18.4	20.0			18				
48226-1913				18.0	19.4	21.0			19				
48226-2013	19.0	20.4	22.0	20									
48226-0223	BLACK LCP HALOGEN FREE	TIN PLATED (BRIGHT) OVER ALL THICKNESS : 0.025 MICROMETER MINIMUM NICKEL UNDER PLATED OVER ALL	TIN PLATED (BRIGHT) OVER ALL THICKNESS : 0.025 MICROMETER MINIMUM NICKEL UNDER PLATED OVER ALL	1.0	2.4	4.0	4.5	4.0	2	COPPER ALLOY			
48226-0323				2.0	3.4	5.0			3				
48226-0423				3.0	4.4	6.0			4				
48226-0523				4.0	5.4	7.0			5				
48226-0623				5.0	6.4	8.0	6						
48226-0723				6.0	7.4	9.0	7						
48226-0823				7.0	8.4	10.0	8						
48226-0923				8.0	9.4	11.0	9						
48226-1023				BLACK LCP HALOGEN FREE	TIN PLATED (BRIGHT) OVER ALL THICKNESS : 0.025 MICROMETER MINIMUM NICKEL UNDER PLATED OVER ALL	TIN PLATED (BRIGHT) OVER ALL THICKNESS : 0.025 MICROMETER MINIMUM NICKEL UNDER PLATED OVER ALL	9.0	10.4	12.0	4.8	3.5	10	NYLON UL94 V-0
48226-1123							10.0	11.4	13.0			11	
48226-1223							11.0	12.4	14.0			12	
48226-1323							12.0	13.4	15.0			13	
48226-1423							13.0	14.4	16.0			14	
48226-1523							14.0	15.4	17.0			15	
48226-1623							15.0	16.4	18.0			16	
48226-1723							16.0	17.4	19.0			17	
48226-1823							17.0	18.4	20.0			18	
48226-1923							18.0	19.4	21.0			19	
48226-2023				19.0	20.4	22.0	20						

REVISE IEC NO: SH2014-0549 2014/06/20 TDRW:NYANG05 CHKD: APPR:RZHANG 2014/07/15 REV	QUALITY SYMBOLS	GENERAL TOLERANCES (UNLESS SPECIFIED)	DIMENSION STYLE	SCALE	DESIGN UNITS	THIRD ANGLE PROJECTION
	$F_A = 0$ $F_G = 0$ $F_P = 0$	mm INCH 4 PLACES ± --- ± --- 3 PLACES ± --- ± --- 2 PLACES ± 0.25 ± --- 1 PLACE ± 0.25 ± --- ANGULAR ± 3 °	MM ONLY	1:1	METRIC	
		DRAFT WHERE APPLICABLE MUST REMAIN WITHIN DIMENSIONS	DRAWN BY DATE BERNIE 2005/11/04 CHECKED BY DATE ERIC KAO 2005/11/04 APPROVED BY DATE RZHANG 2010/04/14 MATERIAL NO.	TITLE	1.0 MM WTB VERTICAL HEADER SMT TYPE	
			SEE TABLE SIZE A3 THIS DRAWING CONTAINS INFORMATION THAT IS PROPRIETARY TO MOLEX INCORPORATED AND SHOULD NOT BE USED WITHOUT WRITTEN PERMISSION	MOLEX INCORPORATED DOCUMENT NO. SD-48226-001 SHEET NO. 5 OF 5		

X-ON Electronics

Largest Supplier of Electrical and Electronic Components

Click to view similar products for [Headers & Wire Housings](#) category:

Click to view products by [Molex](#) manufacturer:

Other Similar products are found below :

[95000-104TRLF](#) [10135584-644402LF](#) [DF62W-EP2022PCA](#) [95000-106TRLF](#) [DF62W-2022SCA](#) [DF62W-EP2022PC](#) [2203348](#) [DF62W-2022SC](#) [1084018](#) [1029039](#) [1084017](#) [802-10-012-10-002000](#) [1112640](#) [1112639](#) [891-007-9SS-BST1T](#) [000-34000](#) [0008550134](#) [0009482033](#) [0009507031](#) [57102-F02-18ULF](#) [57102-S06-03LF](#) [57202-S52-04LF](#) [PCN6-15S-2.5E](#) [0039019024](#) [58102-G61-06LF](#) [582553-1](#) [0009485154](#) [0009508121](#) [009176003701906](#) [0022285053](#) [0050291907](#) [018731A](#) [LY20-4P-DT1-P1E-BR](#) [02.125.8002.8](#) [60101931](#) [60598-1 \(Cut Strip\)](#) [M1625-3R/100](#) [61062-3](#) [61082-181009](#) [CSU011177004](#) [636-1427](#) [638009-1](#) [641938-9](#) [641991-4](#) [644168-1](#) [644827-2](#) [647662-1](#) [65039-019ELF](#) [65692-001LF](#) [65781-018](#)