

1000 series

Toggle switches - metal lever - economy range

Distinctive features and specifications

UG1410A



- Butt action contacts
- Optional insulated levers (X213 and X490)

A

ELECTRICAL SPECIFICATIONS

- Max. current/voltage rating with resistive load :
 - silver contacts (A) : 6A 30VDC
 - silver plated copper contacts (C) : 1A 30VDC
- Initial contact resistance : 10 mΩ max.
- Insulation resistance : 1.000 MΩ min. at 500VDC
- Dielectric strength :
 - 2.000 Vrms 50 Hz min. between terminals
 - 2.500 Vrms 50 Hz min. between terminals and frame
- Electrical life : 10.000 cycles at full load

MATERIALS

- Case :
 - function 1 : phenolic resin
 - funct. 6 & 9 : polyamide
- Actuator :
 - brass, nickel plated (1010 and 1020 models)
 - polyamide (1030 models)
- Bushing : brass, nickel plated
- Contacts :
 - A : silver
 - C : copper, silver plated

GENERAL SPECIFICATIONS

- Torque : 1,50 Nm (1.10 Ft.lb) max. applied to nut
- Panel thickness : 5 mm (.196) max.
- Operating temperature : -20°C to +55°C

ABOUT THIS SERIES

Dimensions : first dimensions are in mm while inches are shown as bracketed numbers.



Sealing boots are available to protect the switches against dust and water. They are presented in section H.



Mounting accessories : standard hardware supplied :

- silver contact models : 1 hex nut U166 + 1 knurled nut U411
- copper contact models : 1 hex nut U42 + 1 knurled nut U411



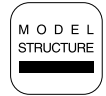
Packaging unit : 25 or 40 pieces depending on model.

The company reserves the right to change specifications without notice.

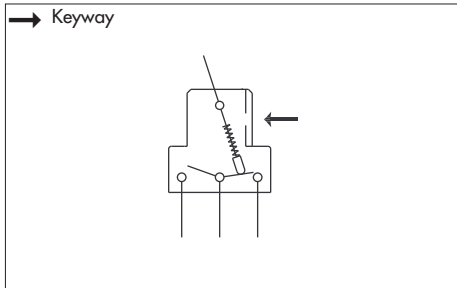
1000 series

Toggle switches - metal lever - economy range

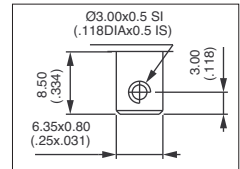
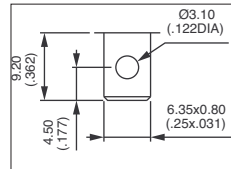
Solder lug and quick-connect terminals - screw terminals



A



- 2 and 3 positions
- Single pole configurations



MODEL STRUCTURE

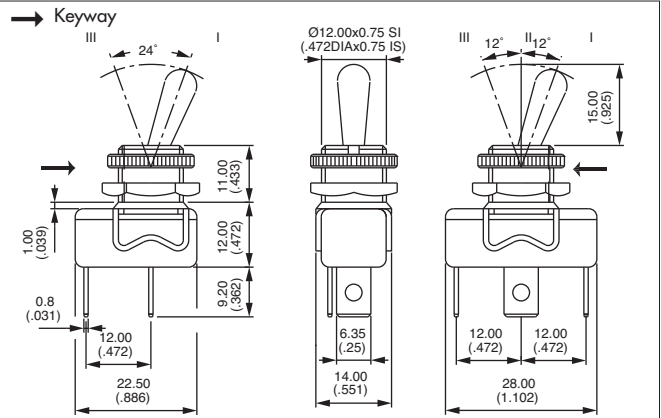


Solder lug and quick-connect terminals



1011
1016
1019

	I	II	III
Position	ON	-	OFF
Terminal	ON	-	ON
Terminal	ON	OFF	ON

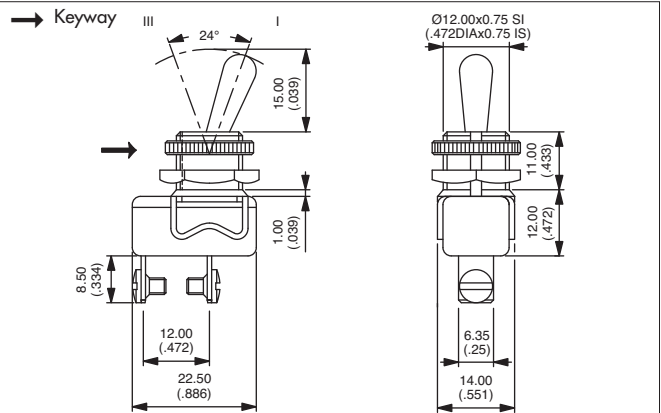


Screw terminals

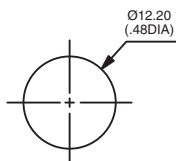


1021

	I	II	III
Position	ON	-	OFF



PANEL CUT-OUT



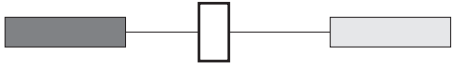


1000 series

Toggle switches - metal lever - economy range

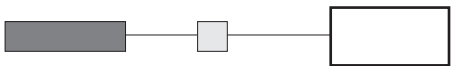
Solder lug and quick-connect terminals - screw terminals

CONTACT MATERIALS




- A Silver
- C Copper, silver plated

SPECIAL OPTIONS WITH INSULATED LEVER



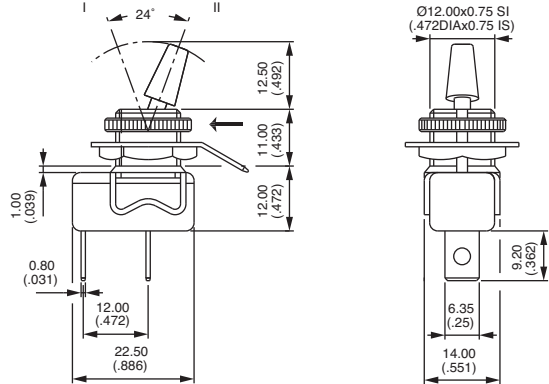
X213 Silver plated copper contacts (C)



1031CX213


I	II
OFF	ON

→ Keyway



Ground connector **U187** compulsory if the panel is not metallic or not connected to ground. Order separately, see section I.

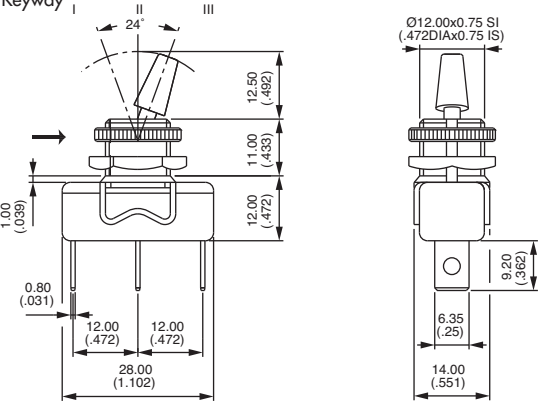
X490 Available with silver contacts (A) or silver plated copper contacts (C)



1036 X490
1039 X490

I	II	III
ON	-	ON
ON	OFF	ON

→ Keyway



X-ON Electronics

Largest Supplier of Electrical and Electronic Components

Click to view similar products for [Other Tools](#) category:

Click to view products by [Apem](#) manufacturer:

Other Similar products are found below :

[CR-05FL7--150R](#) [CR-05FL7--698K](#) [899-2-KT46](#) [899-5-KT46](#) [CR-0AFL4--332K](#) [CR-12FP4--260R](#) [CRCW04021100FRT7](#)
[CRCW04021961FRT7](#) [5800-0090](#) [CRCW04024021FRT7](#) [CRCW040254R9FRT7](#) [CRCW0603102JRT5](#) [59065-5](#) [00-8273-RDPP](#) [00-8729-](#)
[WHPP](#) [593033](#) [593058](#) [593072](#) [593564100](#) [593575](#) [593591](#) [593593](#) [011349-000](#) [LTLA506SBLAMNBL](#) [CRCW08052740FRT1](#) [LUC-](#)
[012S070DSM](#) [LUC-018S070DSP](#) [599-2021-3-NME](#) [599-JJ-2021-03](#) [00-5080-YWPP](#) [5E4750/01-20R0-T/R](#) [LW1A-L1-GL](#) [LW1A-P1-GD](#)
[LW1L-A1C10V-GL](#) [LW1L-M1C70-A](#) [0202-0173](#) [00-9089-RDPP](#) [00-9300-RDPP](#) [CRCW2010331JR02](#) [01-1003W-8/32-10](#) [601-GP-08-](#)
[KT39](#) [601-JJ-06](#) [601-SPB](#) [601YSY](#) [602-JJ-03](#) [602SPB](#) [602Z](#) [603-JJ-07-FP](#) [603-JJY-04](#) [604J](#)