

PBA series

Piezo switches Ø 16 mm



DISTINCTIVE FEATURES

- Bushing diameter 16 (.630), 19 (.748), 22 (.866) or 30 mm (1.181)
- Sealed to IP68 and IP69K (switches mounted on panel)
- Easy to clean metal surface
- Very long life expectancy
- Ring illumination



ENVIRONMENTAL SPECIFICATIONS

- Sealing : IP68 per IEC 60529, IP69K per DIN 40050-9 (switches mounted on panel)
- Vibration resistance : 10-500 Hz / 10 g per IEC 60068-2-6
- Operating temperature : -40 °C to +75 °C (-40 °F to + 167 °F)
- EMC compatibility according to EN 61058-1 for the whole range
- EMC compatibility according to EN 61000-4 & EN61000-6-2 for model 1A (code 002)



ELECTRICAL SPECIFICATIONS

- Max. current/voltage rating with resistive load :
 - Function A : standard 200 mA 24 VAC/DC - option 1 A 24 VAC/DC
 - Function B : standard 100 mA 24 VAC/DC
- Switch resistance ON : 10 Ω max.
- Switch resistance OFF : 5 MΩ min.
- Life expectancy : 50 million cycles
- LED consumption : Illuminated dot 10 mA - Illuminated ring 20 mA (functions A-B-C)
- Power consumption for function 1 :
 - non-illuminated 10 mA - illuminated 30 mA



GENERAL SPECIFICATIONS

- Operating force : 2 to 6 N
- Torque : 2.5 Nm min. - 3 Nm max.

The company reserves the right to change specifications without notice.



PBA series

Piezo switches Ø 16 mm



MATERIALS

- Case : aluminum, anodized or stainless steel 316L
- Multi-wire leads section 0.22 mm² length 300 mm, twisted by pair
- Cable, length 300 mm, section depending on switch model
- PC terminals : bronze, tin plated

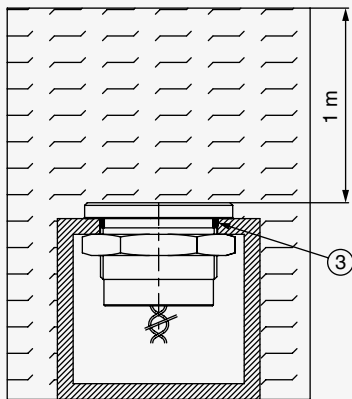
APEM products may be recycled at end-of-life for the re-claiming of valuable metal components.

Note : to maintain the ESD performance, always add a ground washer when the panel is made of non-conductive material (PVC, polycarbonate).
For part numbers, see "Mounting accessories" on the following pages.



SEALING

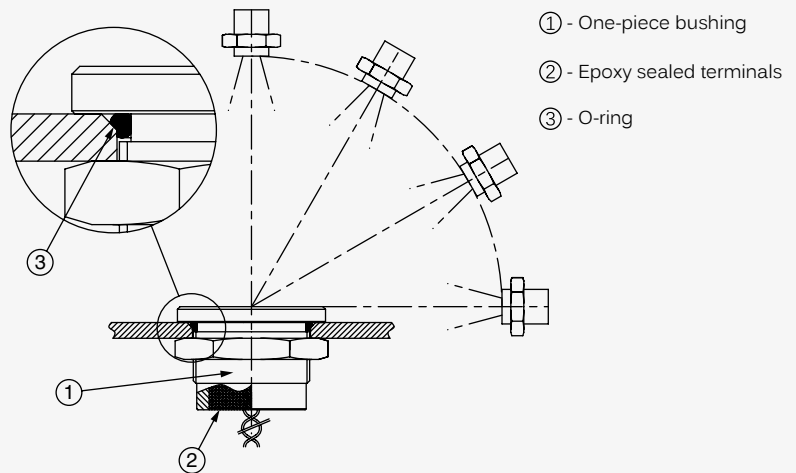
SEALING IP68



Continuous immersion in water IP68 test conditions

Continuous immersion in water
(1 m, 24 hours)

SEALING IP69K



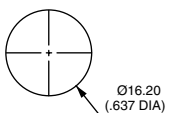
High pressure, high temperature wash down IP69K test conditions

- . Pressure : 80 - 120 bars
- . Distance : 15 cm
- . Temperature : 80 °C ± 5 °C (176 °F ± 41 °F)
- . Flow : 14 - 16 l/mn
- . Duration : 30 seconds per position



PANEL CUT-OUT

MODELS Ø16 (.630)

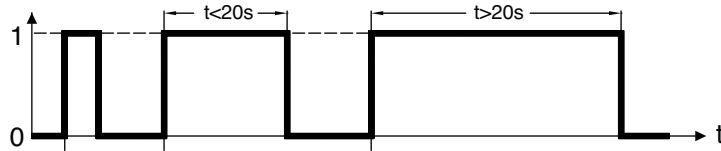




ELECTRICAL FUNCTIONS

FINGER PRESSURE APPLIED TO SWITCH

1 : pressure / 0 : no pressure

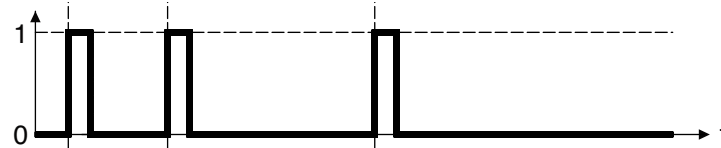


OUTPUT

1 : closed output / 0 : open output

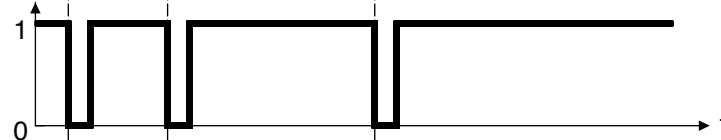
Momentary NO (pulse)

No external power supply required



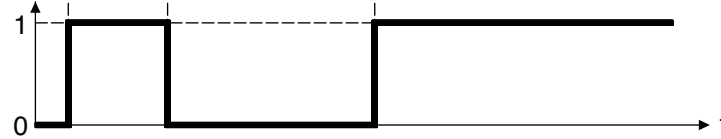
Momentary NC (pulse)

No external power supply required



Latching (ON - OFF)

Requires external power supply



WIRING DIAGRAMS

	Non-illuminated	1 LED *	2 LEDs	3 LEDs
Momentary NO				
Momentary NC				
Latching (ON - OFF)				

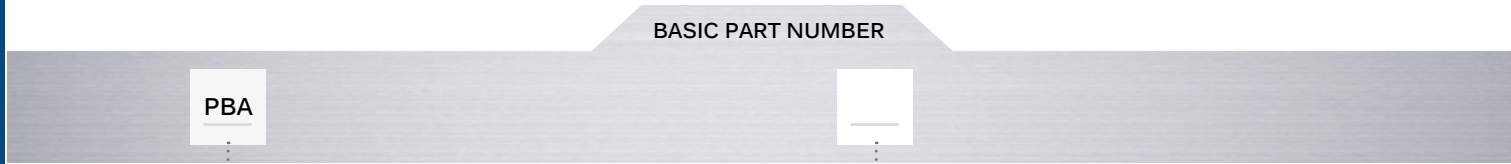
Legend : C : yellow, D : blue, B : black , A : same color as LED

* LED color is indicated by protective resin color on bottom of unit.

PBA series

Piezo switches Ø 16 mm

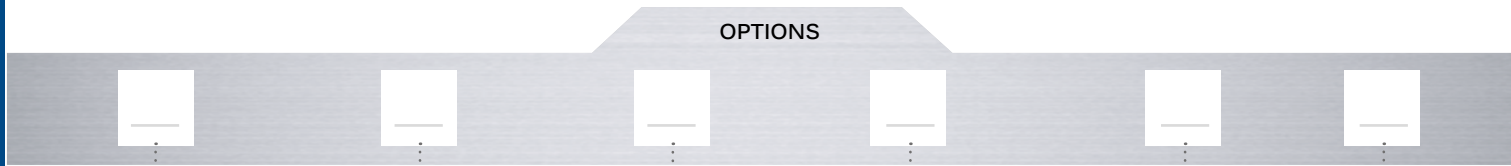
BUILD YOUR PART NUMBER



SERIES

BUSHINGS / OPERATORS

R1	Flat operator, height 4.50 (.177)
T5	Flat operator, height 1 (.039) (non illuminated)
R5	Operator with finger location, height 4.50 (.177) (non-illuminated)



ELECTRICAL FUNCTIONS

TERMINALS

COLORS / MATERIALS

RATINGS

TYPE OF ILLUMINATION/
VOLTAGE

A	NO (pulse)
B	NC (pulse)
1	ON - OFF (requires external power supply - cannot be combined with T5 operator - illumination type W only)

F	Flying leads
C	Cable
P	Straight PC (T5 model, non-illuminated, functions A & B only)

0	Natural anodized
1	Blue anodized
2	Black anodized
3	Green anodized
5	Gold anodized
6	Red anodized
B	Stainless steel 316L

000	Standard
002	1 A 24 VAC/DC (NO pulse only, function A)

Blank	Non-illuminated
A	Standard ring - 5 VDC
N	Standard ring - 12 VDC
K	Standard ring - 24 VDC
W	Standard ring, microcontroller driven

Bold = standard

LED COLORS

LED COLORS (CONTINUED)

Blank	Non-illum.
0B	Blue
0G	Green
0S	Red
0Y	Yellow
0W	White

2A	Red/green
2B	Red/yellow
2C	Red/blue
2D	Red/white
2E	Green/blue
2F	Green/yellow

2G	Green/white
2H	Blue/yellow
2I	Blue/white
2K	Yellow/white


3A	Red/green/blue
3B	Red/green/yellow
3D	Red/green/white
3E	Red/blue/yellow
3F	Red/blue/white
3G	Red/yellow/white


3H	Green/blue/yellow
3I	Green/blue/white
3J	Green/yellow/white
3K	Blue/yellow/white

For options not listed above, please contact APEM.

ABOUT THIS SERIES

On the following pages, you will find successively basic part numbers of switches and options in the same order as in above chart.

 **Notice** : please note that not all combinations of above numbers are available. Refer to the following pages for further information.

 **Mounting accessories** : standard hardware supplied : 1 hex nut and 1 O-ring.
Always add a ground washer U5735 (Ø16 mm) when the panel is non-conductive (PVC, polycarbonate).

PBA series

Piezo switches Ø 16 mm

Ø16 (.630) - NON-ILLUMINATED
OPERATOR HEIGHT 4.50 MM

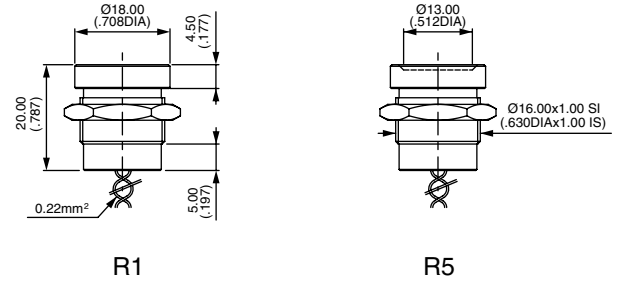


Flat

PBAR1

With finger location

PBAR5

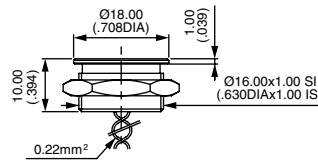


Ø16 (.630) - NON-ILLUMINATED
OPERATOR HEIGHT 1 MM



Flat

PBAT5

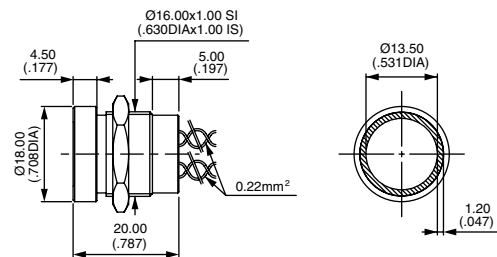


Ø16 (.630) - STANDARD ILLUMINATED RING
OPERATOR HEIGHT 4.5 MM



Flat

PBAR1



PBA series

Piezo switches Ø 16 mm

ELECTRICAL FUNCTIONS

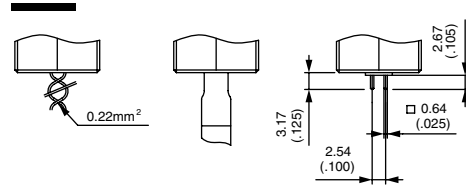


- A NO pulse
- B NC pulse
- 1 ON - OFF - Requires external power supply - Cannot be combined with T5 operator - Illumination type W only.

TERMINALS



- F Flying leads
- C Cable
- P Straight PC (T5 model, non-illuminated, functions A and B only)



CASE COLORS / MATERIALS



- 0 **Natural anodized aluminum**
- 1 Blue anodized aluminum
- 2 **Black anodised aluminum**
- 3 Green anodized aluminum
- 5 Gold anodized aluminum
- 6 Red anodised aluminum
- B **Stainless steel 316L**

Bold = standard



RATINGS



- 000 Standard
- 002 1 A 24 VAC or DC (NO pulse only, function A)

PBA series

Piezo switches Ø 16 mm

TYPE OF ILLUMINATION / VOLTAGE

BASIC P/N



- Blank** Non-illuminated
- A** Thin ring - 5 VDC
- N** Thin ring - 12 VDC
- K** Thin ring - 24 VDC
- W** Thin ring - μ controller driven

LED COLORS

BASIC P/N

Blank Non-illuminated

Integrated LED resistor

Illuminated 1 LED *

0B : blue - **0G** : green - **0S** : red - **0Y** : yellow - **0W** : white

Illuminated 2 LEDs

2A : red/green - **2B** : red/yellow - **2C** : red/blue - **2D** : red/white - **2E** : green/blue - **2F** : green/yellow - **2G** : green/white
2H : blue/yellow - **2I** : blue/white - **2K** : yellow/white

Illuminated 3 LEDs

3A : red/green/blue - **3B** : red/green/yellow - **3D** : red/green/white - **3E** : red/blue/yellow - **3F** : red/blue/white
3G : red/yellow/white - **3H** : green/blue/yellow - **3I** : green/blue/white - **3J** : green/yellow/white - **3K** : blue/yellow/white

* LED color is indicated by protective resin color on bottom of unit.



0B



0G



0S



0Y



0W

PBA series

Piezo switches Ø 19 mm



DISTINCTIVE FEATURES

Bushing diameter 16 (.630), 19 (.748), 22 (.866) or 30 mm (1.181)

Sealed to IP68 and IP69K (switches mounted on panel)

Easy to clean metal surface

Very long life expectancy

Ring illumination



ENVIRONMENTAL SPECIFICATIONS

- Sealing : IP68 per IEC 60529, IP69K per DIN 40050-9 (switches mounted on panel)
- Vibration resistance : 10-500 Hz / 10 g per IEC 60068-2-6
- Operating temperature : -40 °C to +75 °C (-40 °F to + 167 °F)
- EMC compatibility according to EN 61058-1 for the whole range
- EMC compatibility according to EN 61000-4 & EN61000-6-2 for model 1A (code 002)



ELECTRICAL SPECIFICATIONS

- Max. current/voltage rating with resistive load :
 - Function A : standard 200 mA 24 VAC/DC - option 1 A 24 VAC/DC
 - Function B : standard 100 mA 24 VAC/DC
- Switch resistance ON : 10 Ω max.
- Switch resistance OFF : 5 MΩ min.
- Life expectancy : 50 million cycles
- LED consumption : Illuminated dot 10 mA - Illuminated ring 20 mA (functions A-B-C)
- Power consumption for function 1 :
 - non-illuminated 10 mA - illuminated 30 mA



GENERAL SPECIFICATIONS

- Operating force : 2 to 6 N
- Torque : 2.5 Nm min. - 3 Nm max.

The company reserves the right to change specifications without notice.



PBA series

Piezo switches Ø 19 mm



MATERIALS

- Case : aluminum, anodized or stainless steel 316L
- Multi-wire leads section 0.22 mm² length 300 mm, twisted by pair
- Cable, length 300 mm, section depending on switch model
- PC terminals : bronze, tin plated

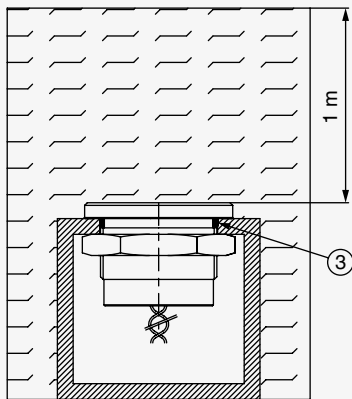
APEM products may be recycled at end-of-life for the re-claiming of valuable metal components.

Note : to maintain the ESD performance, always add a ground washer when the panel is made of non-conductive material (PVC, polycarbonate).
For part numbers, see "Mounting accessories" on the following pages.



SEALING

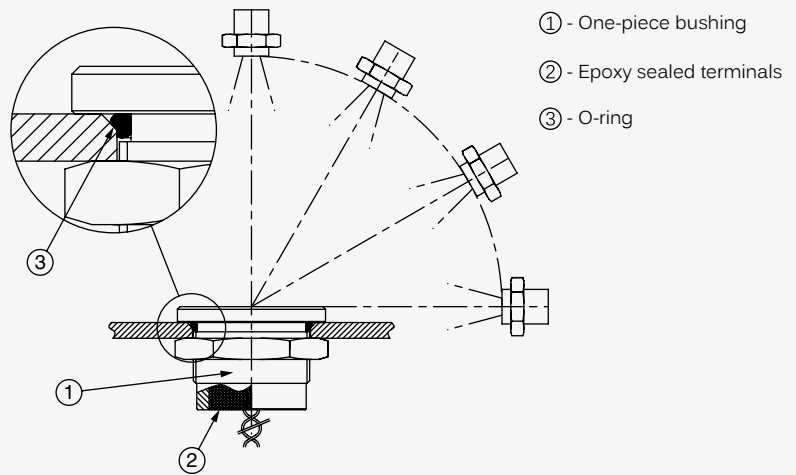
SEALING IP68



Continuous immersion in water IP68 test conditions

Continuous immersion in water
(1 m, 24 hours)

SEALING IP69K



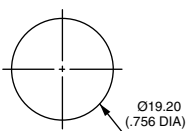
High pressure, high temperature wash down IP69K test conditions

- . Pressure : 80 - 120 bars
- . Distance : 15 cm
- . Temperature : 80 °C ± 5 °C (176 °F ± 41 °F)
- . Flow : 14 - 16 l/mn
- . Duration : 30 seconds per position



PANEL CUT-OUT

MODELS Ø19 (.748)

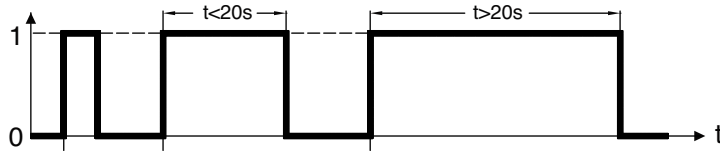




ELECTRICAL FUNCTIONS

FINGER PRESSURE APPLIED TO SWITCH

1 : pressure / 0 : no pressure

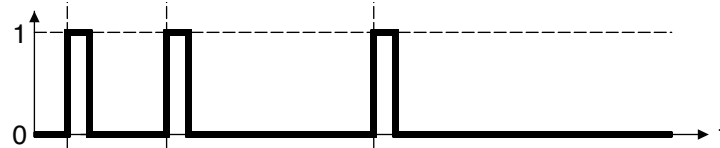


OUTPUT

1 : closed output / 0 : open output

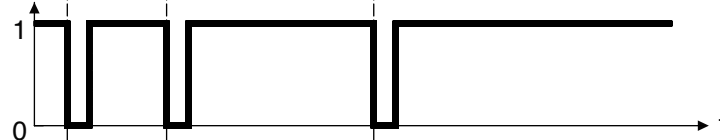
Momentary NO (pulse)

No external power supply required



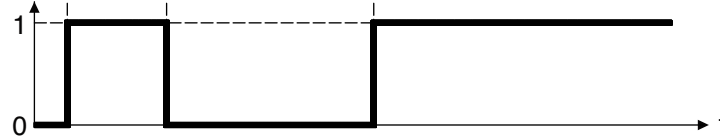
Momentary NC (pulse)

No external power supply required



Latching (ON - OFF)

Requires external power supply



WIRING DIAGRAMS

	Non-illuminated	1 LED *	2 LEDs	3 LEDs
Momentary NO				
Momentary NC				
Latching (ON - OFF)				

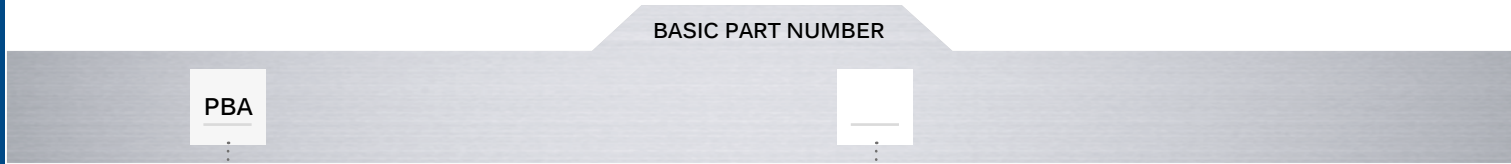
Legend : C : yellow, D : blue, B : black, A : same color as LED

* LED color is indicated by protective resin color on bottom of unit.

PBA series

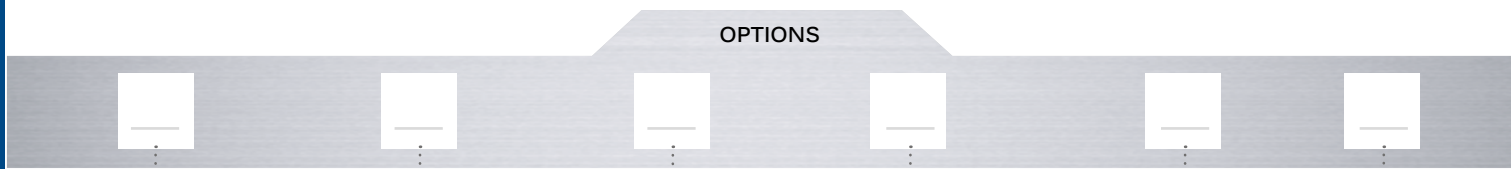
Piezo switches Ø 19 mm

BUILD YOUR PART NUMBER



BUSHINGS / OPERATORS

R9	Flat operator, height 3 (.118)
RA	With chamfer, height 3 (.118)



ELECTRICAL FUNCTIONS

A	NO (pulse)
B	NC (pulse)
1	ON - OFF (requires external power supply - cannot be combined with T5 operator - illumination type W only)

TERMINALS

F	Flying leads
C	Cable
P	Straight PC (T5 model, non-illuminated, functions A & B only)

COLORS / MATERIALS

0	Natural anodized
1	Blue anodized
2	Black anodized
3	Green anodized
5	Gold anodized
6	Red anodized
B	Stainless steel 316L

Bold = standard

RATINGS

000	Standard
002	1 A 24 VAC/DC (NO pulse only, function A)

TYPE OF ILLUMINATION/ VOLTAGE

Blank	Non-illuminated
A	Standard ring - 5 VDC
N	Standard ring - 12 VDC
K	Standard ring - 24 VDC
W	Standard ring, microcontroller driven

LED COLORS

Blank	Non-illum.	2A	Red/green
0B	Blue	2B	Red/yellow
0G	Green	2C	Red/blue
0S	Red	2D	Red/white
0Y	Yellow	2E	Green/blue
0W	White	2F	Green/yellow


LED COLORS (CONTINUED)


2G	Green/white	3A	Red/green/blue	3H	Green/blue/yellow
2H	Blue/yellow	3B	Red/green/yellow	3I	Green/blue/white
2I	Blue/white	3D	Red/green/white	3J	Green/yellow/white
2K	Yellow/white	3E	Red/blue/yellow	3K	Blue/yellow/white
		3F	Red/blue/white		
		3G	Red/yellow/white		

For options not listed above, please contact APEM.

ABOUT THIS SERIES

On the following pages, you will find successively basic part numbers of switches and options in the same order as in above chart.

 **Notice** : please note that not all combinations of above numbers are available. Refer to the following pages for further information.

 **Mounting accessories** : standard hardware supplied : 1 hex nut 10-621 (19 mm ac. flats) and 1 O-ring.
Always add a ground washer U5736 (Ø19 mm) when the panel is non-conductive (PVC, polycarbonate).

PBA series

Piezo switches Ø 19 mm

Ø19 (.748) - NON-ILLUMINATED OPERATOR HEIGHT 3 MM



Flat

PBAR9

With chamfer

PBARA

Wire colors : see "Wiring diagrams".

Ø19 (.748) - ILLUMINATED RING OPERATOR HEIGHT 3 MM



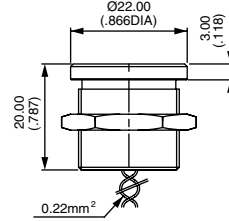
Flat

PBAR9

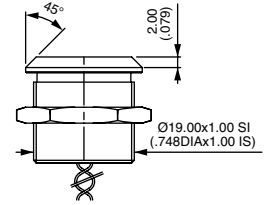
With chamfer

PBARA

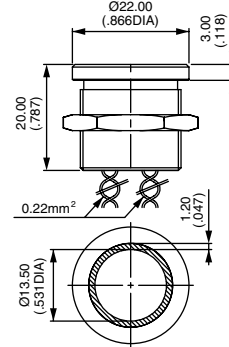
Wire colors : see "Wiring diagrams".



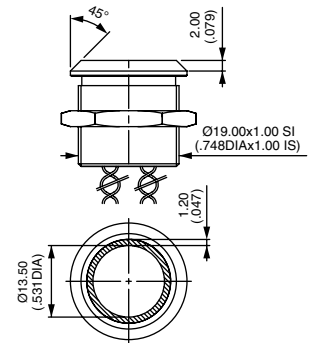
R9



RA



R9



RA

ELECTRICAL FUNCTIONS

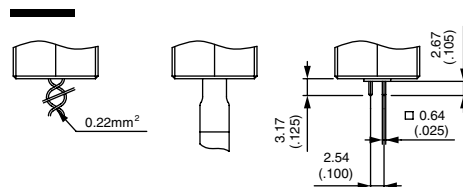


- A NO pulse
- B NC pulse
- 1 ON - OFF - Requires external power supply - Cannot be combined with T5 operator - Illumination type W only.

TERMINALS



- F Flying leads
- C Cable
- P Straight PC (T5 model, non-illuminated, functions A and B only)



PBA series

Piezo switches Ø 19 mm

CASE COLORS / MATERIALS



- 0 **Natural anodized aluminum**
- 1 Blue anodized aluminum
- 2 **Black anodised aluminum**
- 3 Green anodized aluminum
- 5 Gold anodized aluminum
- 6 Red anodised aluminum
- B **Stainless steel 316L**

Bold = standard



0

1

2

3

5

6

B

RATINGS



- 000 Standard
- 002 1 A 24 VAC or DC (NO pulse only, function A)

TYPE OF ILLUMINATION / VOLTAGE

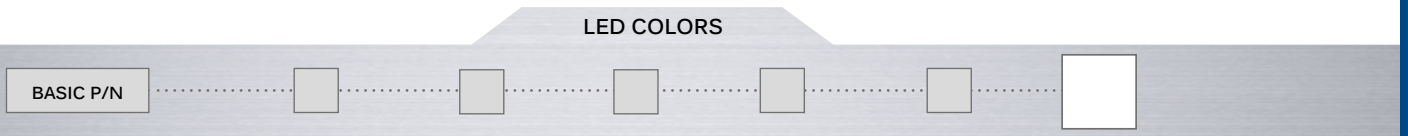


I

- Blank Non-illuminated
- A Thin ring - 5 VDC
- N Thin ring - 12 VDC
- K Thin ring - 24 VDC
- W Thin ring - µcontroller driven

PBA series

Piezo switches Ø 19 mm



Blank Non-illuminated

Integrated LED resistor

Illuminated 1 LED *

0B : blue - **0G** : green - **0S** : red - **0Y** : yellow - **0W** : white

Illuminated 2 LEDs

2A : red/green - **2B** : red/yellow - **2C** : red/blue - **2D** : red/white - **2E** : green/blue - **2F** : green/yellow - **2G** : green/white

2H : blue/yellow - **2I** : blue/white - **2K** : yellow/white

Illuminated 3 LEDs

3A : red/green/blue - **3B** : red/green/yellow - **3D** : red/green/white - **3E** : red/blue/yellow - **3F** : red/blue/white

3G : red/yellow/white - **3H** : green/blue/yellow - **3I** : green/blue/white - **3J** : green/yellow/white - **3K** : blue/yellow/white

* LED color is indicated by protective resin color on bottom of unit.



0B



0G



0S



0Y



0W

PBA series

Piezo switches Ø 22 mm



DISTINCTIVE FEATURES

- Bushing diameter 16 (.630), 19 (.748), 22 (.866) or 30 mm (1.181)
- Sealed to IP68 and IP69K (switches mounted on panel)
- Easy to clean metal surface
- Very long life expectancy
- Ring or dot illumination



ENVIRONMENTAL SPECIFICATIONS

- Sealing : IP68 per IEC 60529, IP69K per DIN 40050-9 (switches mounted on panel)
- Vibration resistance : 10-500 Hz / 10 g per IEC 60068-2-6
- Operating temperature : -40 °C to +75 °C (-40 °F to + 167 °F)
- EMC compatibility according to EN 61058-1 for the whole range
- EMC compatibility according to EN 61000-4 & EN61000-6-2 for model 1A (code 002)



ELECTRICAL SPECIFICATIONS

- Max. current/voltage rating with resistive load :
 - Function A : standard 200 mA 24 VAC/DC - option 1 A 24 VAC/DC
 - Function B : standard 100 mA 24 VAC/DC
- Switch resistance ON : 10 Ω max.
- Switch resistance OFF : 5 MΩ min.
- Life expectancy : 50 million cycles
- LED consumption : Illuminated dot 10 mA - Illuminated ring 20 mA (functions A-B-C)
- Power consumption for function 1 :
 - non-illuminated 10 mA - illuminated 30 mA



GENERAL SPECIFICATIONS

- Operating force : 2 to 6 N
- Torque : 2.5 Nm min. - 3 Nm max.

The company reserves the right to change specifications without notice.



PBA series

Piezo switches Ø 22 mm



MATERIALS

- Case : aluminum, anodized or stainless steel 316L
- Multi-wire leads section 0.22 mm² length 300 mm, twisted by pair
- Cable, length 300 mm, section depending on switch model
- PC terminals : bronze, tin plated

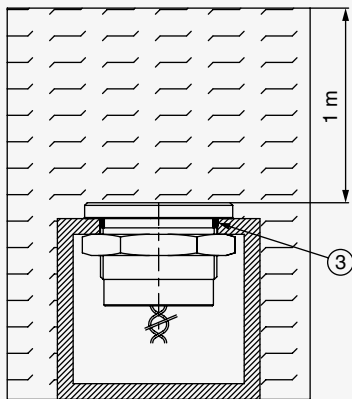
APEM products may be recycled at end-of-life for the re-claiming of valuable metal components.

Note : to maintain the ESD performance, always add a ground washer when the panel is made of non-conductive material (PVC, polycarbonate).
For part numbers, see "Mounting accessories" on the following pages.



SEALING

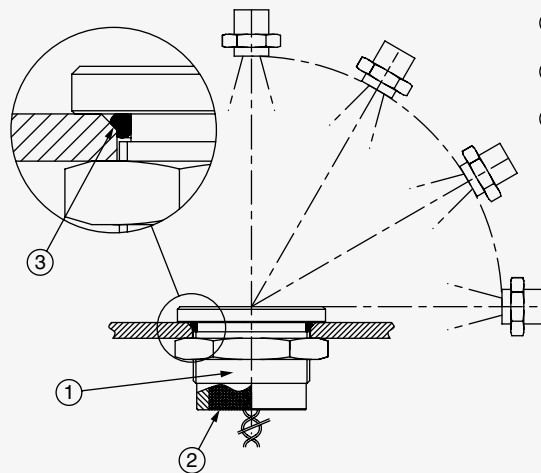
SEALING IP68



Continuous immersion in water IP68 test conditions

Continuous immersion in water
(1 m, 24 hours)

SEALING IP69K



- ① - One-piece bushing
- ② - Epoxy sealed terminals
- ③ - O-ring

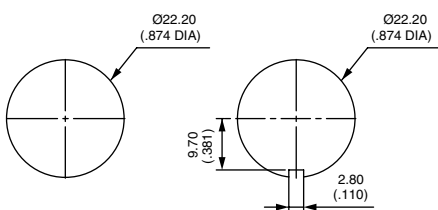
High pressure, high temperature wash down IP69K test conditions

- . Pressure : 80 - 120 bars
- . Distance : 15 cm
- . Temperature : 80 °C ± 5 °C (176 °F ± 41 °F)
- . Flow : 14 - 16 l/mn
- . Duration : 30 seconds per position



PANEL CUT-OUT

MODELS Ø22 (.866)

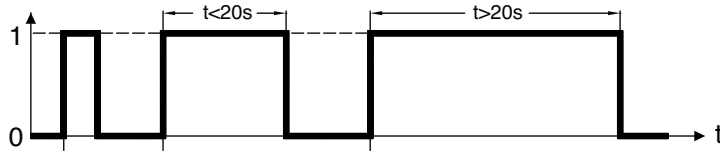




ELECTRICAL FUNCTIONS

FINGER PRESSURE APPLIED TO SWITCH

1 : pressure / 0 : no pressure

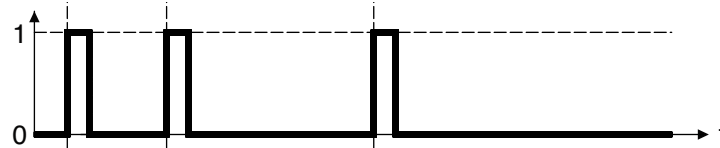


OUTPUT

1 : closed output / 0 : open output

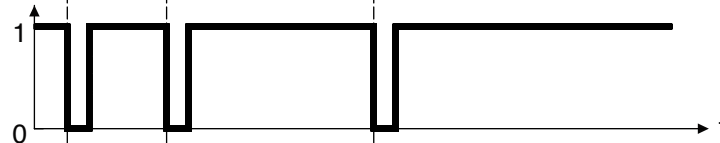
Momentary NO (pulse)

No external power supply required



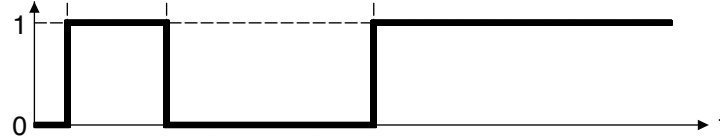
Momentary NC (pulse)

No external power supply required



Latching (ON - OFF)

Requires external power supply



WIRING DIAGRAMS

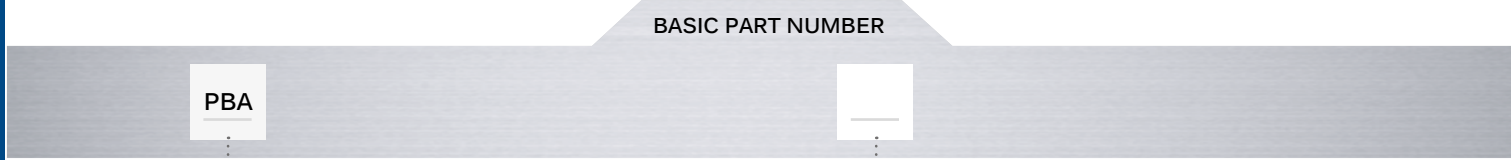
	Non-illuminated	1 LED *	2 LEDs	3 LEDs
Momentary NO				
Momentary NC				
Latching (ON - OFF)				

Legend : C : yellow, D : blue, B : black , A : same color as LED * LED color is indicated by protective resin color on bottom of unit.

PBA series

Piezo switches Ø 22 mm

BUILD YOUR PART NUMBER



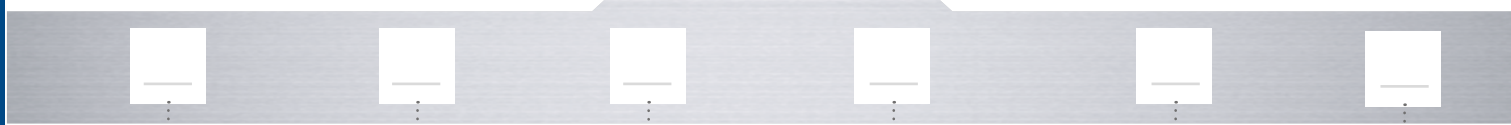
SERIES

BUSHINGS / OPERATORS

R2	Flat, operator height 3 mm (.118) - Not available w. illuminated ring.
R6	With finger location, operator height 3 mm (.118). Not available with illuminated ring.

RY	With chamfer, operator height 4.5 mm (.177). Available with thin or large illuminated ring only.
RZ	Flat, operator height 4.5 mm (.177). Available with thin or large illuminated ring only.

OPTIONS



ELECTRICAL FUNCTIONS

A	NO (pulse)
B	NC (pulse)
1	ON - OFF (requires external power supply - Illumination types V, Y and Z only - only one LED color)

TERMINALS

F	Flying leads
C	Cable

COLORS / MATERIALS

0	Natural anodized
1	Blue anodized
2	Black anodized
3	Green anodized
5	Gold anodized
6	Red anodized
B	Stainless steel 316L

Bold = standard

RATINGS

000	Standard
002	1 A 24 VAC/DC (NO pulse only, function A)

TYPE OF ILLUMINATION/VOLTAGE

Blank	Non-illuminated
C	thin ring - 5 VDC
D	thin ring - 12 VDC
E	thin ring - 24 VDC
F	large ring - 5 VDC
G	large ring - 12 VDC
H	large ring - 24 VDC
L*	dot - 5 VDC
P*	dot - 12 VDC
J*	dot - 24 VDC
V*	dot - μ controller driven
Y	thin ring - μ controller driven
Z	large ring - μ controller driven

*Dot illumination only available with LED colors 0B, 0G, 0S, 0Y, 0W and SG.

LED COLORS

Blank	Non-illum.	SG	Red/green (dot only)
0B	Blue	2A	Red/green
0G	Green	2B	Red/yellow
0S	Red	2C	Red/blue
0Y	Yellow	2D	Red/white
0W	White		

LED COLORS (CONTINUED)

2E	Green/blue	3A	Red/green/blue	3H	Green/blue/yellow
2F	Green/yellow	3B	Red/green/yellow	3I	Green/blue/white
2G	Green/white	3D	Red/green/white	3J	Green/yellow/white
2H	Blue/yellow	3E	Red/blue/yellow	3K	Blue/yellow/white
2I	Blue/white	3F	Red/blue/white		
2K	Yellow/white	3G	Red/yellow/white		

ABOUT THIS SERIES

- Notice** : please note that not all combinations of above numbers are available. Refer to the following pages for further information.
- Mounting accessories** : standard hardware supplied : 1 hex nut 10-856-0 (25 mm ac. flats) and 1 O-ring. Always add a ground washer U5737 when the panel is non-conductive (PVC, polycarbonate).

PBA series

Piezo switches \varnothing 22 mm

NON-ILLUMINATED OPERATOR HEIGHT 3 MM



Flat

PBAR2

With finger location

PBAR6

WITH ILLUMINATED DOT OPERATOR HEIGHT 3 MM



Flat

PBAR2

With finger location

PBAR6

WITH THIN ILLUMINATED RING OPERATOR HEIGHT 4.50



Flat

PBARZ

With chamfer

PBARY

WITH LARGE ILLUMINATED RING OPERATOR HEIGHT 4.50

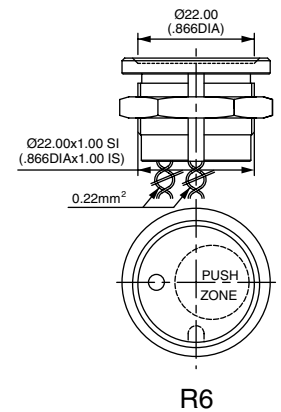
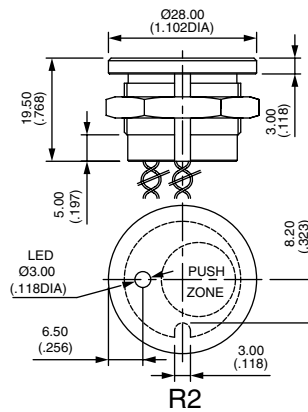
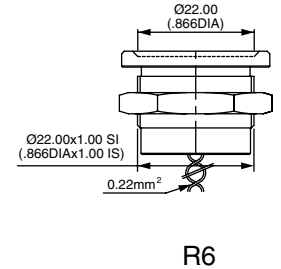
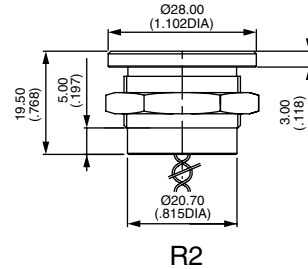


Flat

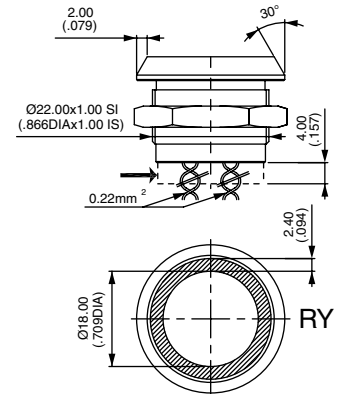
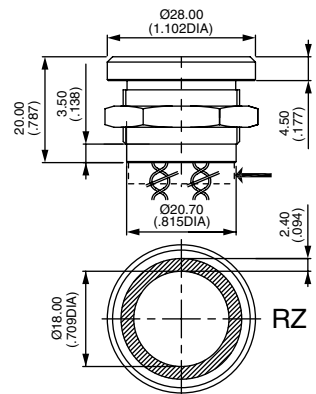
PBARZ

With chamfer

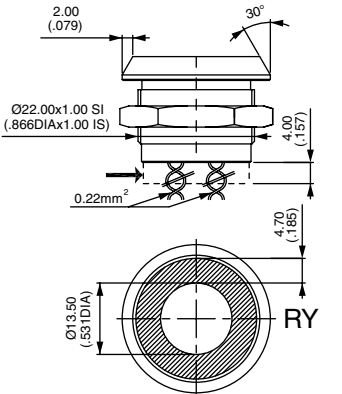
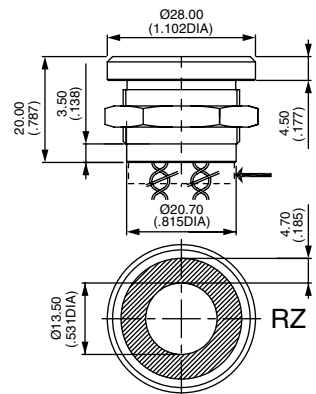
PBARY



→ DIMENSION OF ON-OFF MODELS



→ DIMENSION OF ON-OFF MODELS



PBA series

Piezo switches Ø 22 mm

ELECTRICAL FUNCTIONS

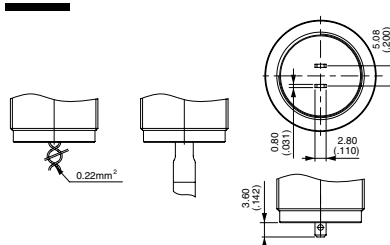


- A NO pulse
- B NC pulse
- 1 ON - OFF - Requires external power supply - Illumination types V, Y and Z only - one LED color only.

TERMINALS



- F Flying leads
- C Cable



CASE COLORS / MATERIALS



- 0 **Natural anodized aluminum**
- 1 Blue anodized aluminum
- 2 **Black anodised aluminum**
- 3 Green anodized aluminum
- 5 Gold anodized aluminum
- 6 Red anodised aluminum
- B **Stainless steel 316L**

Bold = standard



0 1 2 3 5 6 B

RATINGS



- 000 Standard
- 002 1 A 24 VAC or DC (NO pulse only, function A)

PBA series

Piezo switches Ø 22 mm

TYPE OF ILLUMINATION / VOLTAGE

BASIC P/N

Blank Non-illuminated



- C Thin ring - 5 VDC
- D Thin ring - 12 VDC
- E Thin ring - 24 VDC
- Y Thin ring - μ controller driven



- F Large ring - 5 VDC
- G Large ring - 12 VDC
- H Large ring - 24 VDC
- Z Large ring - μ controller driven



- L Dot - 5 VDC
- P Dot - 12 VDC
- J Dot - 24 VDC
- V Dot - μ controller driven

⚠ Dot illumination only available with LED colors : 0B, 0G, 0S, 0Y, 0W and SG.

LED COLORS

BASIC P/N

Blank Non-illuminated

Integrated LED resistor

Illuminated 1 LED *

0B : blue - 0G : green - 0S : red - 0Y : yellow - 0W : white
 SG : red/green (reversed polarity LED - for dot illumination only)

Illuminated 2 LEDs

2A : red/green - 2B : red/yellow - 2C : red/blue - 2D : red/white - 2E : green/blue - 2F : green/yellow - 2G : green/white
 2H : blue/yellow - 2I : blue/white - 2K : yellow/white

Illuminated 3 LEDs

3A : red/green/blue - 3B : red/green/yellow - 3D : red/green/white - 3E : red/blue/yellow - 3F : red/blue/white
 3G : red/yellow/white - 3H : green/blue/yellow - 3I : green/blue/white - 3J : green/yellow/white - 3K : blue/yellow/white

* LED color is indicated by protective resin color on bottom of unit.



0B



0G



0S



0Y



0W

X-ON Electronics

Largest Supplier of Electrical and Electronic Components

Click to view similar products for [Pushbutton Switches](#) category:

Click to view products by [Apem](#) manufacturer:

Other Similar products are found below :

[LW1L-M1C10V-A](#) [LW2L-A1C20M-GD](#) [LW2L-M1C20M-A](#) [60324L](#) [M7E-HRN2](#) [67021K512](#) [67081K512X](#) [701PB580](#) [719-5504-000](#)
[MDPSSGLFS](#) [810KSV30B](#) [FLT 2U EE 01A](#) [MML21KA3ABK](#) [MML23KA3AC05K-001](#) [MML23KW3AA01W](#) [8418K2](#) [8646AB6X718UL](#)
[8646ABUL](#) [FSDWH](#) [9001KXRK](#) [9001T8BK](#) [9533CD4+U574+U4922](#) [1203MRA](#) [A22EM01S](#) [A595](#) [1202A6](#) [12037A2ULCSA](#) [1203A2UL](#)
[ABD122N-B](#) [1211390004](#) [ABN111-Y](#) [ABN400-R](#) [1211500044](#) [1211580012](#) [1212MRA](#) [1232A6NF](#) [RA3CSH6A](#) [1241.1183.7047](#)
[1241.2511](#) [1241.3428](#) [1223A2ULCSA](#) [1223MRA](#) [1232AX2119](#) [1241.1183.8000](#) [1241.1183.8029](#) [1241.2506](#) [1241.2606](#) [12MA6](#)
[1301940184](#) [RELBARF6X10\(PLASTIC\)](#)