

THIS DRAWING IS UNPUBLISHED.

RELEASED FOR PUBLICATION

2011

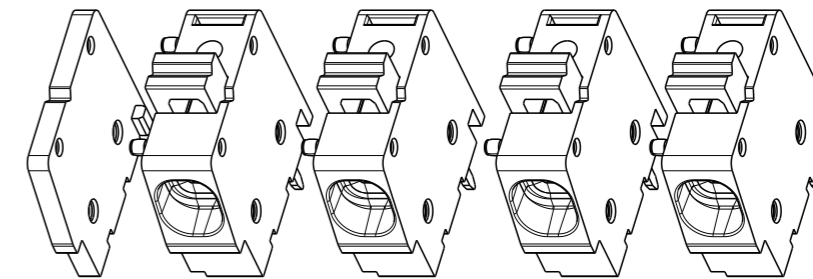
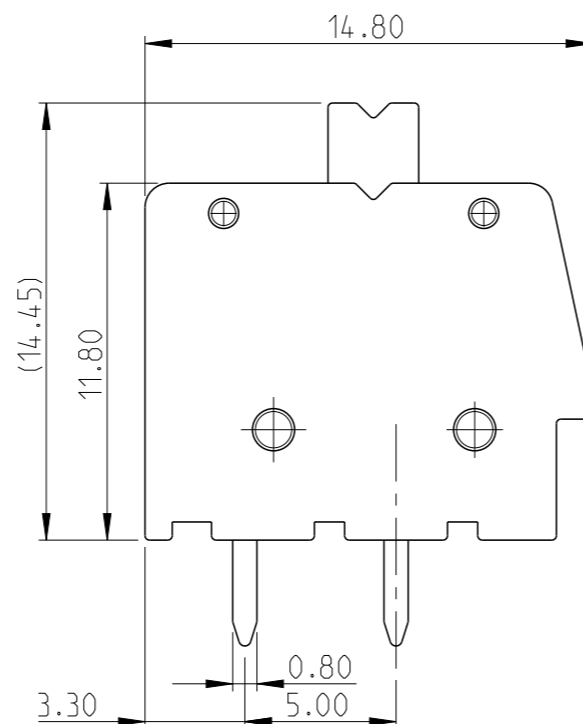
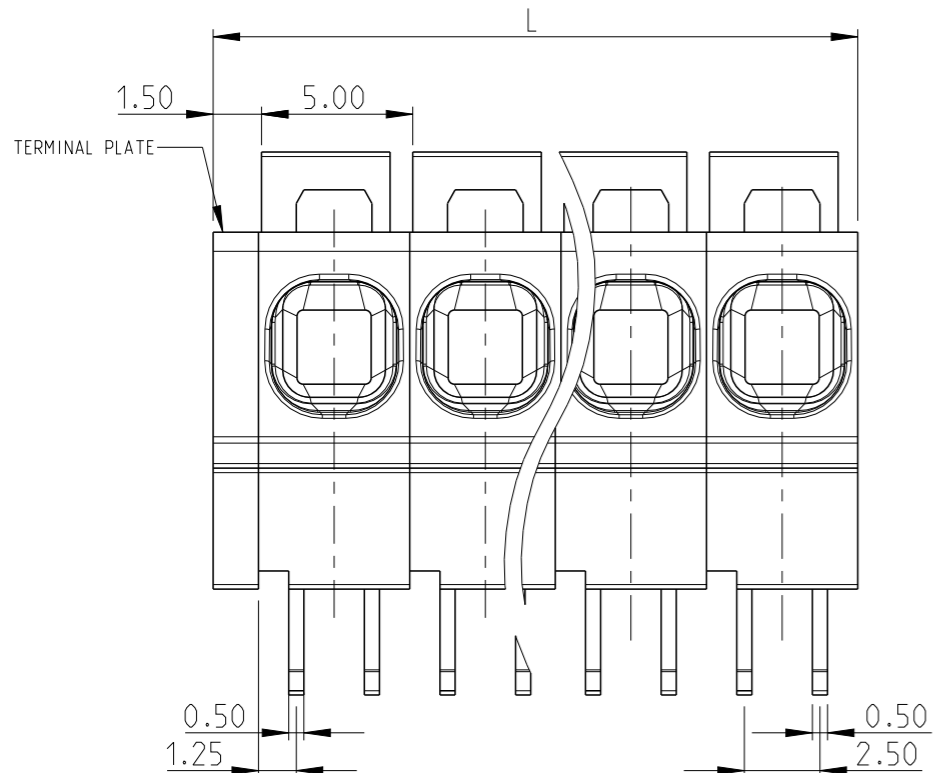
© COPYRIGHT 2011

ALL RIGHTS RESERVED.

LOC FT DIST 0

REVISIONS

P	LTR	DESCRIPTION	DATE	DWN	APVD
	B1	HOUSNG MATERIAL DETAIL ADDED	05DEC2014	PS	JK



SCALE 2:1
-4 AS SHOWN

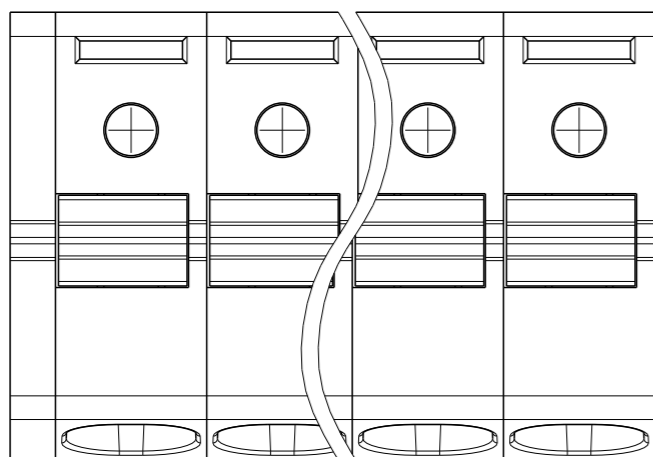
1 SEE FIG	46.50	9	2-1986711-6
	126.50	25	2-1986711-5
	121.50	24	2-1986711-4
	116.50	23	2-1986711-3
	111.50	22	2-1986711-2
	106.50	21	2-1986711-1
	101.50	20	2-1986711-0
	96.50	19	1-1986711-9
	91.50	18	1-1986711-8
	86.50	17	1-1986711-7
	81.50	16	1-1986711-6
	76.50	15	1-1986711-5
	71.50	14	1-1986711-4
	66.50	13	1-1986711-3
	61.50	12	1-1986711-2
	56.50	11	1-1986711-1
	51.50	10	1-1986711-0
	46.50	9	1986711-9
	41.50	8	1986711-8
	36.50	7	1986711-7
	31.50	6	1986711-6
	26.50	5	1986711-5
	21.50	4	1986711-4
	16.50	3	1986711-3
	11.50	2	1986711-2
"L"	POLE		PART NO

PRELIMINARY PART

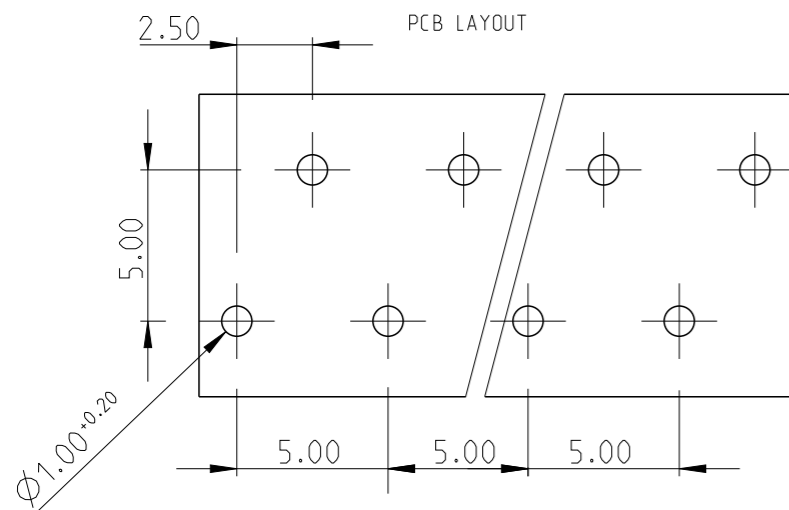
MATERIALS:
 HOUSING - PA66-UL94 V0, COLOR - GREEN
 CLAMPING SPRING - STEEL
 PIN - COPPER ALLOY - TIN PLATED

MECHANICAL
 PCB THICKNESS - 2.40 MAX
 PCB HOLE DIAMETER - 1.20 MIN
 STRIP LENGTH - 10-11 MM
 OPERATING TEMPERATURE - -40 °C TO +110 °C

ELECTRICAL
 WIRE RANGE- 30 TO 12 AWG
 VOLTAGE RATING- 300 VOLTS
 CURRENT RATING-16 AMP
 CONTACT RESISTANCE-15 MILLOHM MAX
 INSULATION RESISTANCE-10⁹ OHMS MIN (500V DC)



PCB LAYOUT



THIS DRAWING IS A CONTROLLED DOCUMENT.		DWN 08AUG2011 RAGHAVENDRA	TE Connectivity SPRING TYPE, SIDE WIRE ENTRY TERMINAL BLOCK SIDE STACKABLE STRAIGHT 02 - 25 POLES PITCH 5.00mm
DIMENSIONS: mm		CHK 08AUG2011 SARVER MICHAEL	
TOLERANCES UNLESS OTHERWISE SPECIFIED:		APVD 08AUG2011 SARVER MICHAEL	
0 PLC ± 1 PLC ±0.5 2 PLC ±0.25 3 PLC ± 4 PLC ± ANGLES ±1° FINISH		PRODUCT SPEC - APPLICATION SPEC - WEIGHT -	
MATERIAL SEE NOTES		NAME	SIZE A3 CAGE CODE 00779 DRAWING NO C-1986711 RESTRICTED TO -
		CUSTOMER DRAWING	SCALE 4:1 SHEET 1 OF 2 REV B1

THIS DRAWING IS UNPUBLISHED.

RELEASED FOR PUBLICATION

2011

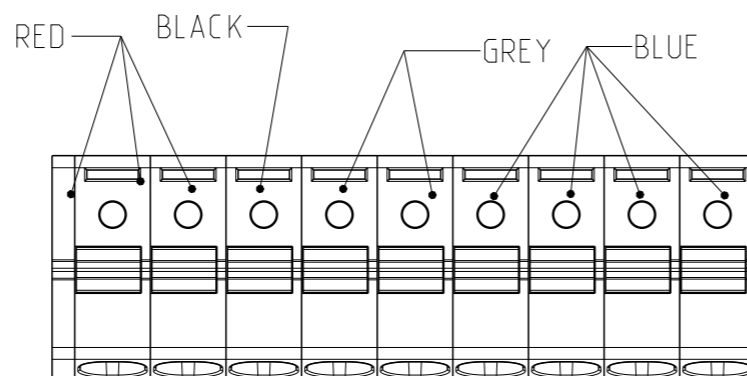
© COPYRIGHT 2011

ALL RIGHTS RESERVED.

LOC FT DIST 0

REVISIONS

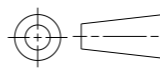
P	LTR	DESCRIPTION	DATE	DWN	APVD
	-	SEE SHEET 1	-	-	-



2-1986711-6

THIS DRAWING IS A CONTROLLED DOCUMENT.

DIMENSIONS: mm



TOLERANCES UNLESS OTHERWISE SPECIFIED:

- 0 PLC ±
- 1 PLC ±0.5
- 2 PLC ±0.25
- 3 PLC ±
- 4 PLC ±
- ANGLES ±1°

MATERIAL -

FINISH -

DWN 08AUG2011 RAGHAVENDRA
 CHK 08AUG2011 SARVER MICHAEL
 APVD 08AUG2011 SARVER MICHAEL



NAME: SPRING TYPE, SIDE WIRE ENTRY
 TERMINAL BLOCK SIDE STACKABLE
 STRAIGHT 02 - 25 POLES PITCH 5.00mm

PRODUCT SPEC -
 APPLICATION SPEC -
 WEIGHT -

SIZE: A3 CAGE CODE: 00779 DRAWING NO: C-1986711 RESTRICTED TO: -

CUSTOMER DRAWING SCALE: 4:1 SHEET: 2 OF 2 REV: B1

X-ON Electronics

Largest Supplier of Electrical and Electronic Components

Click to view similar products for [Fixed Terminal Blocks](#) category:

Click to view products by [TE Connectivity](#) manufacturer:

Other Similar products are found below :

[00175550202](#) [MBE-1512](#) [MBE-1520](#) [MBE-154](#) [MBE-156](#) [MBES-1510](#) [MBES-153](#) [MBES-156](#) [MH-2512](#) [MHE-132](#) [MHE-133](#) [MHE-163](#)
[MI-254 \(35\)](#) [MI-272](#) [8739](#) [880507](#) [880508](#) [MPT-275](#) [1546551-6](#) [ELM023100](#) [ELM10110G](#) [ELVD12100](#) [BA311TU](#) [BA411SU](#) [MV-152](#)
[MV-253/NCNOC](#) [MV-254-D](#) [MV-255](#) [MV-462](#) [MV-472](#) [MV-493](#) [MVE-252](#) [MVE-253](#) [MVE-258](#) [MVE-273](#) [MVEB-153](#) [1700096](#)
[1702246](#) [1705142](#) [1712417](#) [1713020](#) [1713088](#) [1776118-2](#) [1790852](#) [1-796689-8](#) [1-796692-6](#) [1800001](#) [1800114](#) [1823215](#) [1838462](#)