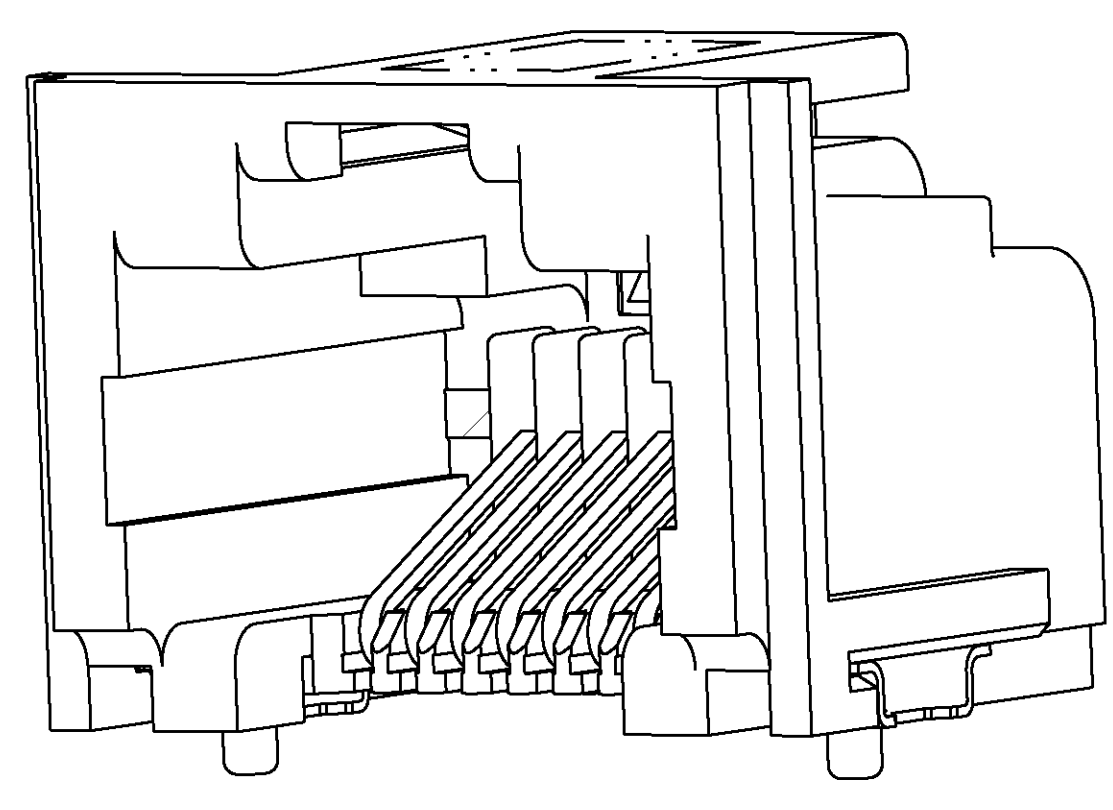
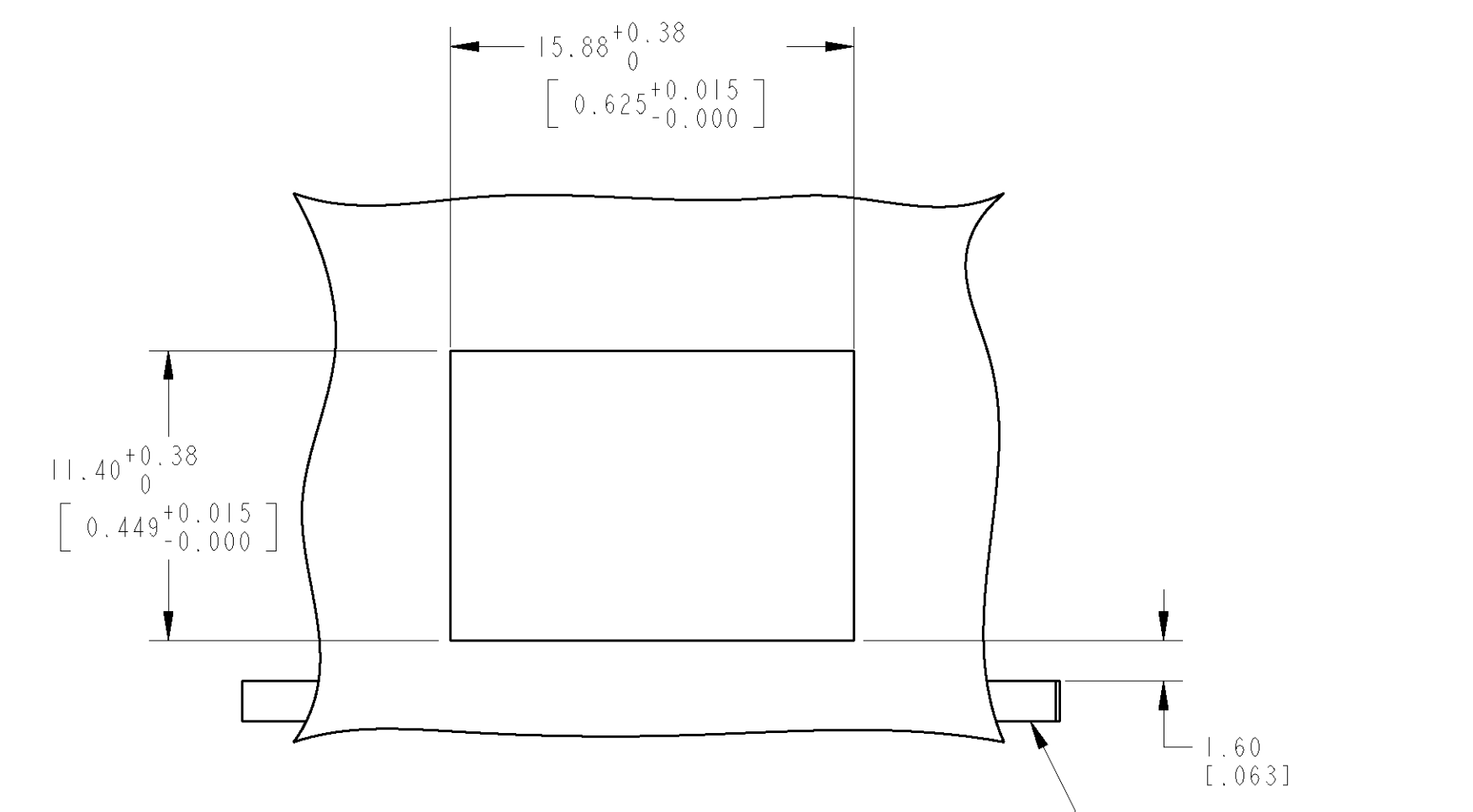
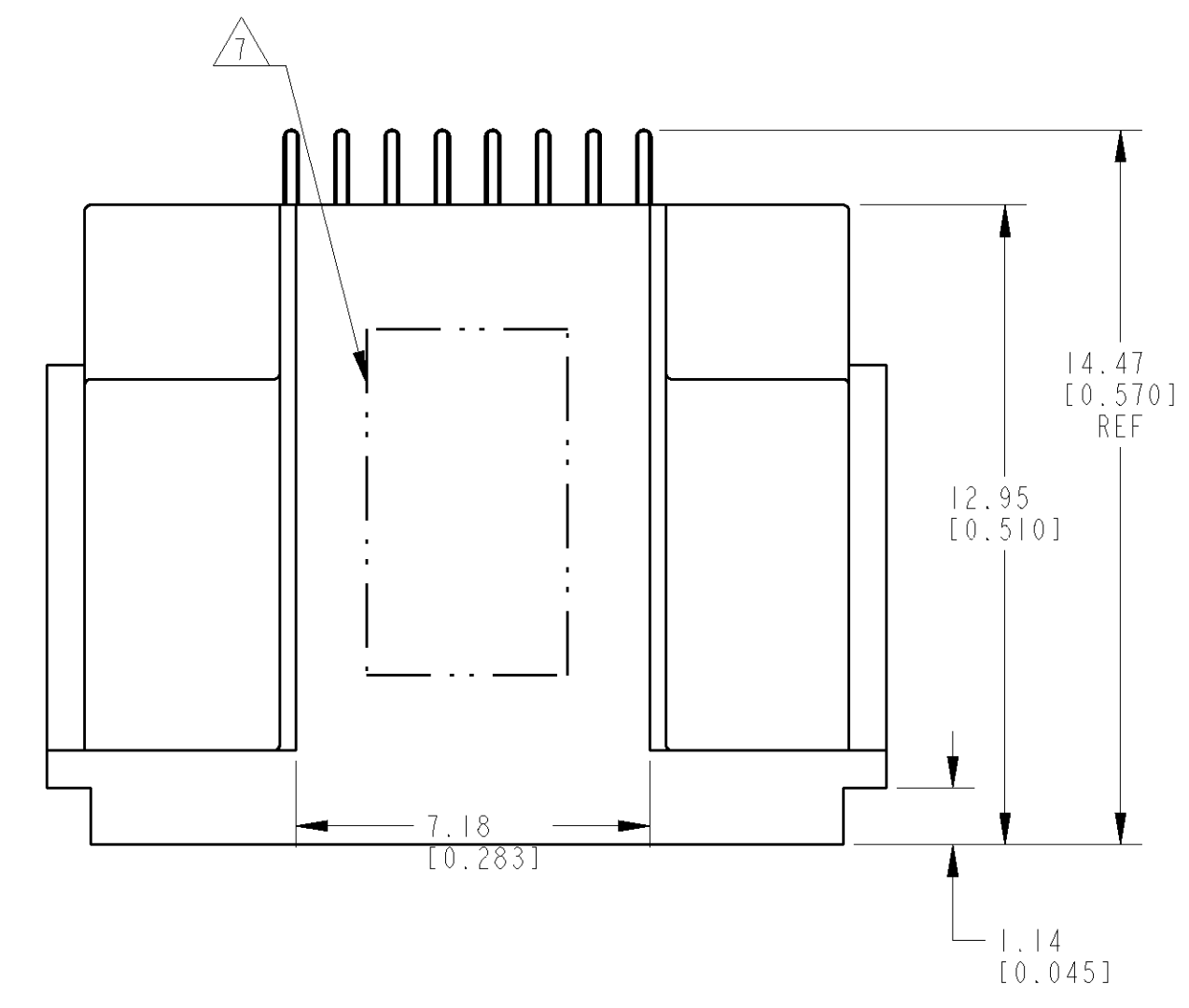
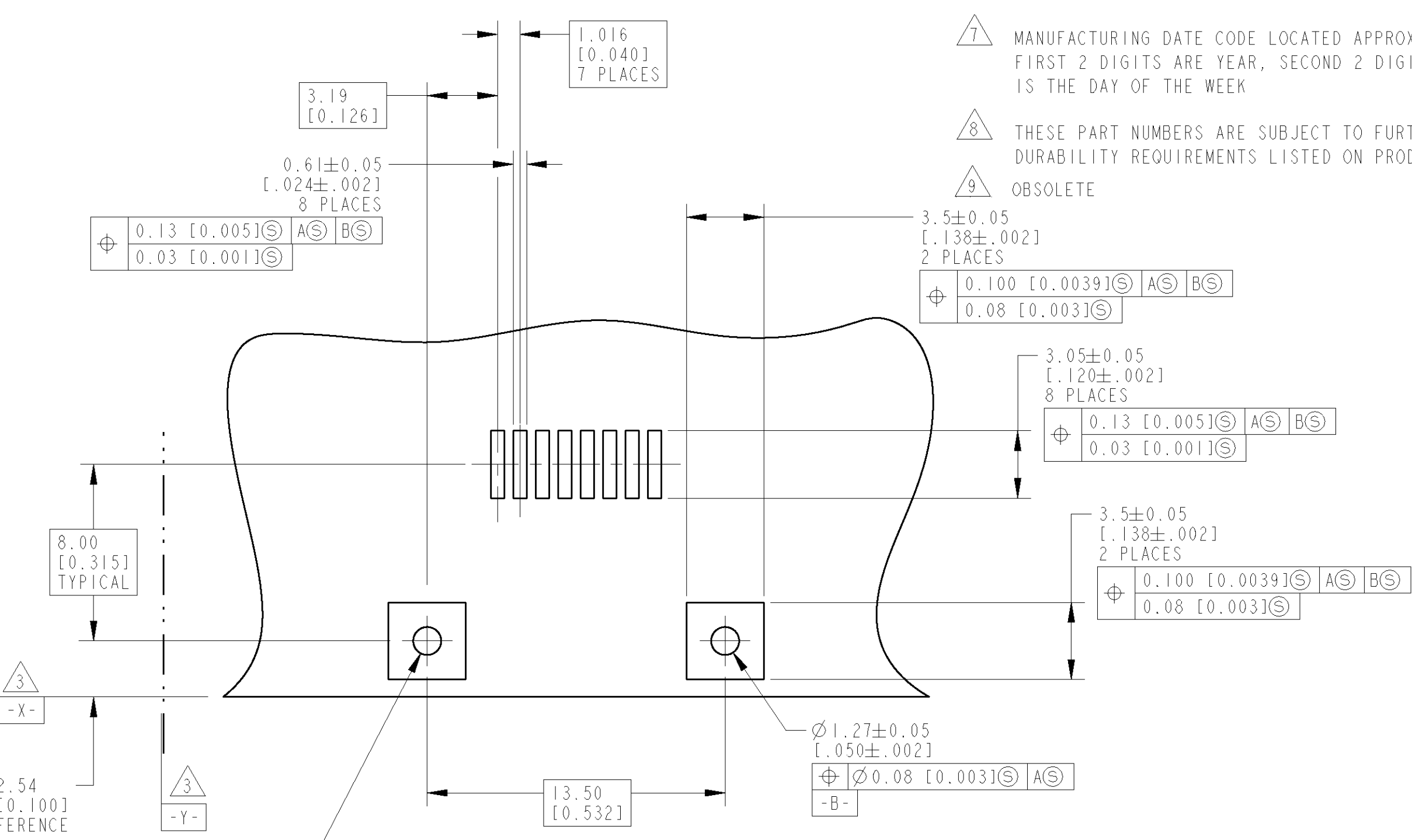
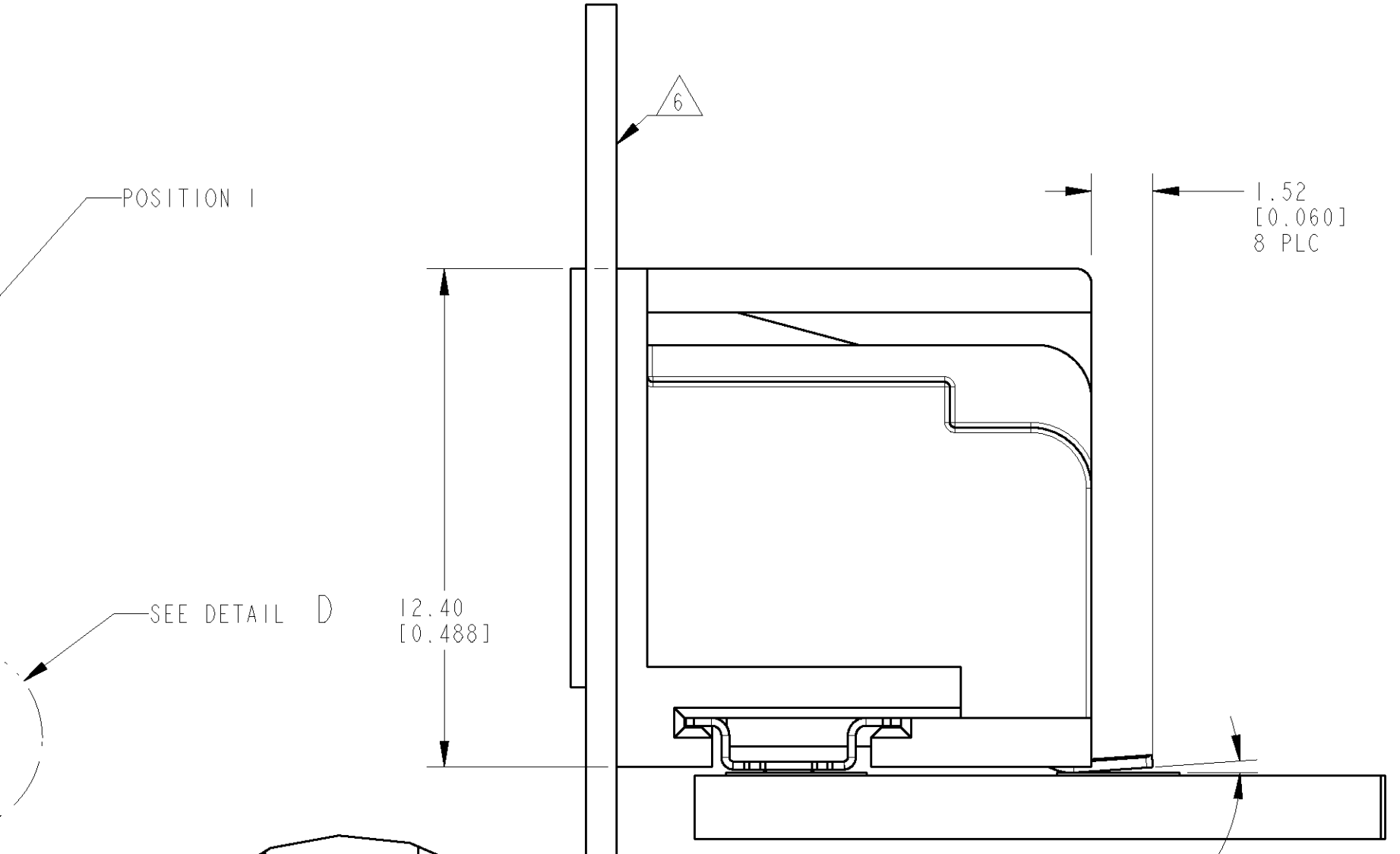
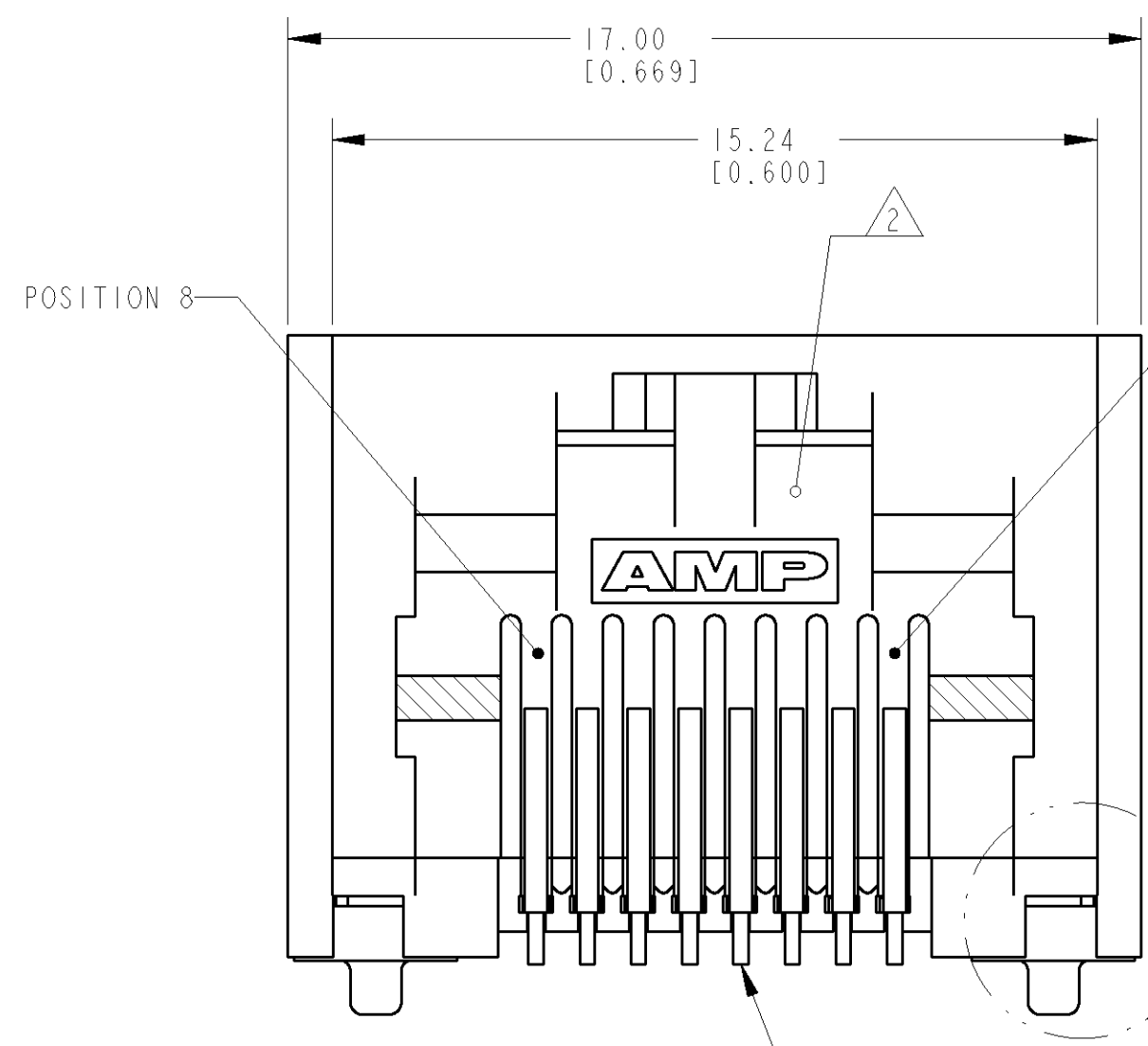


LOC	REV	DATE	BY	CHK	APPD	DESCRIPTION
1R	1	07DEC2010	PS	PKS		The width is increased from 18.74mm to 17.0mm
E1		08AUG11	WK	HMR		ECR-10-026537

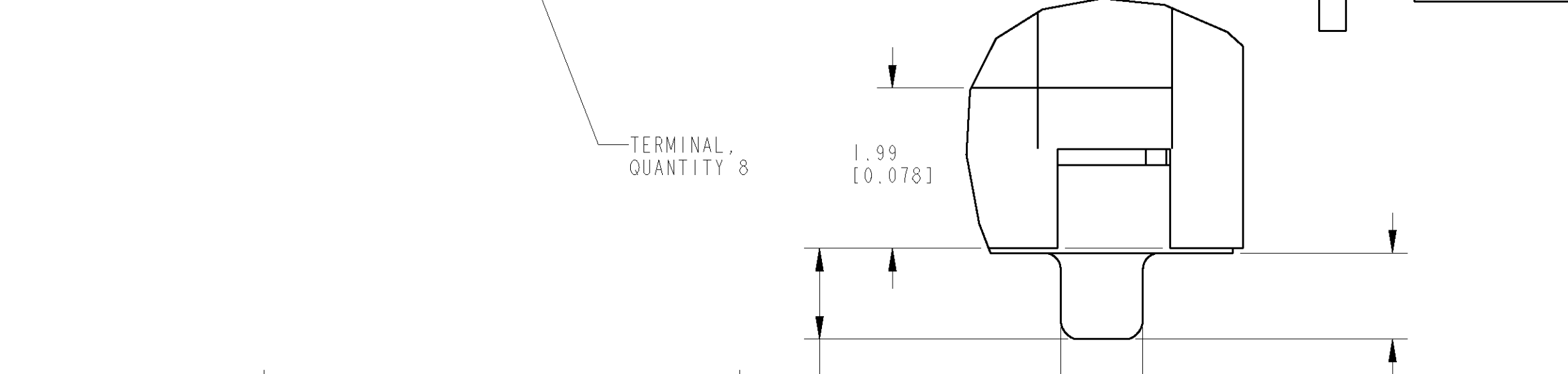


RECOMMENDED PANEL CUTOUT
 SCALE 4:1

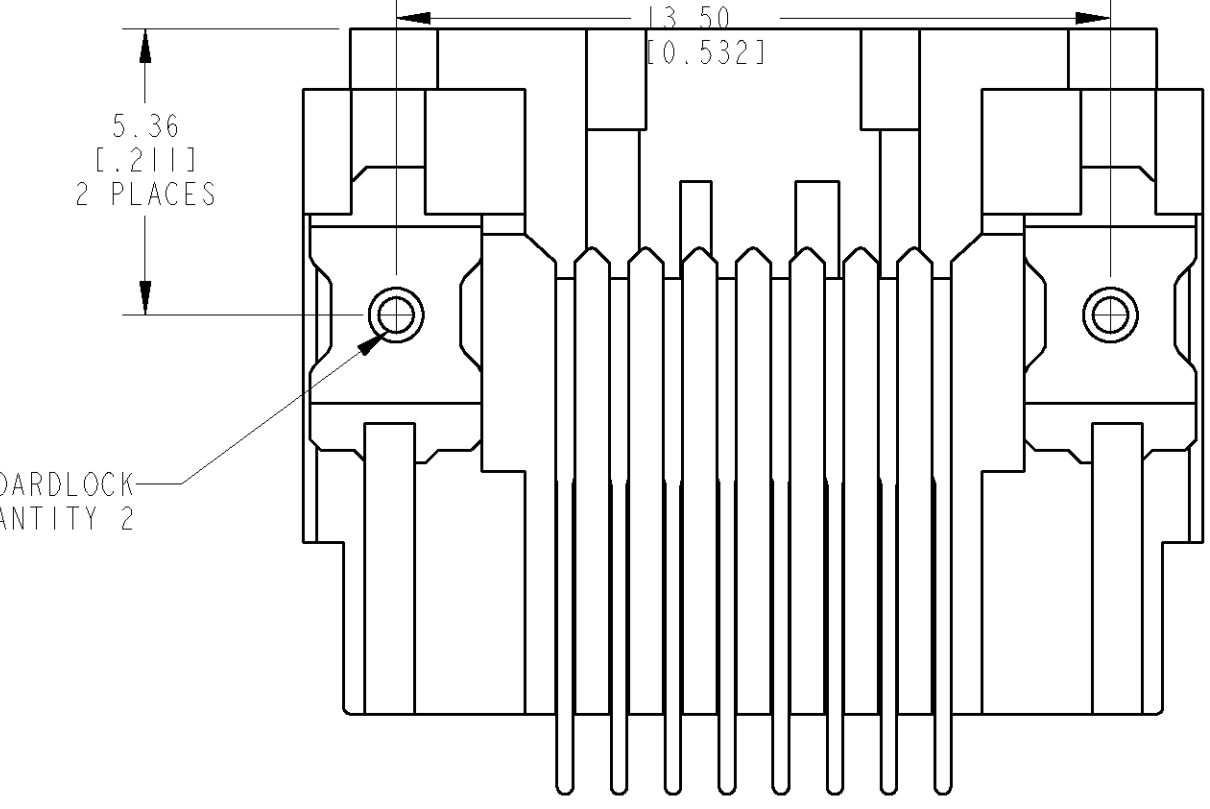
- 1 MATERIAL: HOUSING - HIGH TEMPERATURE THERMOPLASTIC, COLOR PER PART NUMBER TABLE
 TERMINALS - 0.3 [0.012] THICK COPPER ALLOY PLATED WITH (SEE TABLE) MINIMUM GOLD IN LOCALIZED CONTACT AREA, 2.5µm [0.000100] MINIMUM MATTE TIN ON TERMINATION END, OVER 1.27µm [0.000050] MINIMUM NICKEL OVER THE ENTIRE TERMINAL
 BOARDLOCK - PHOS BRONZE, 1/2 HARD, 2.54µm [0.000100] MINIMUM MATTE TIN OVER 1.27µm [0.000050] MINIMUM NICKEL
- 2 JACK CAVITY CONFORMS TO FCC RULES AND REGULATIONS, PART 68, SUBPART F
- 3 DATUM ESTABLISHED BY CUSTOMER
- 4 PACKAGING TAPE AND REEL: (PER EIA 481 SPEC)
 TAPE - 32mm [1.26] WIDE
 POCKET PITCH - 24mm [0.945]
 CORRUGATED REEL DIAMETER - 560mm [22.0]
 PIECES/REEL - 650
- 5 PACKAGING TAPE AND REEL: (PER EIA 481 SPEC)
 TAPE - 32mm [1.26] WIDE
 POCKET PITCH - 24mm [0.945]
 PLASTIC REEL DIAMETER - 330mm [13.01]
 PIECES/REEL - 200
- 6 CONNECTOR SHOULD BE POSITIONED THROUGH PANEL CUTOUT AS SHOWN TO SUPPORT TOP OF MODULAR JACK FOR STRAIN RELIEF
- 7 MANUFACTURING DATE CODE LOCATED APPROXIMATELY AS SHOWN. FIRST 2 DIGITS ARE YEAR, SECOND 2 DIGITS ARE WORK WEEK, LAST DIGIT IS THE DAY OF THE WEEK
- 8 THESE PART NUMBERS ARE SUBJECT TO FURTHER VALIDATION TESTING FOR DURABILITY REQUIREMENTS LISTED ON PRODUCT SPECIFICATION
- 9 OBSOLETE



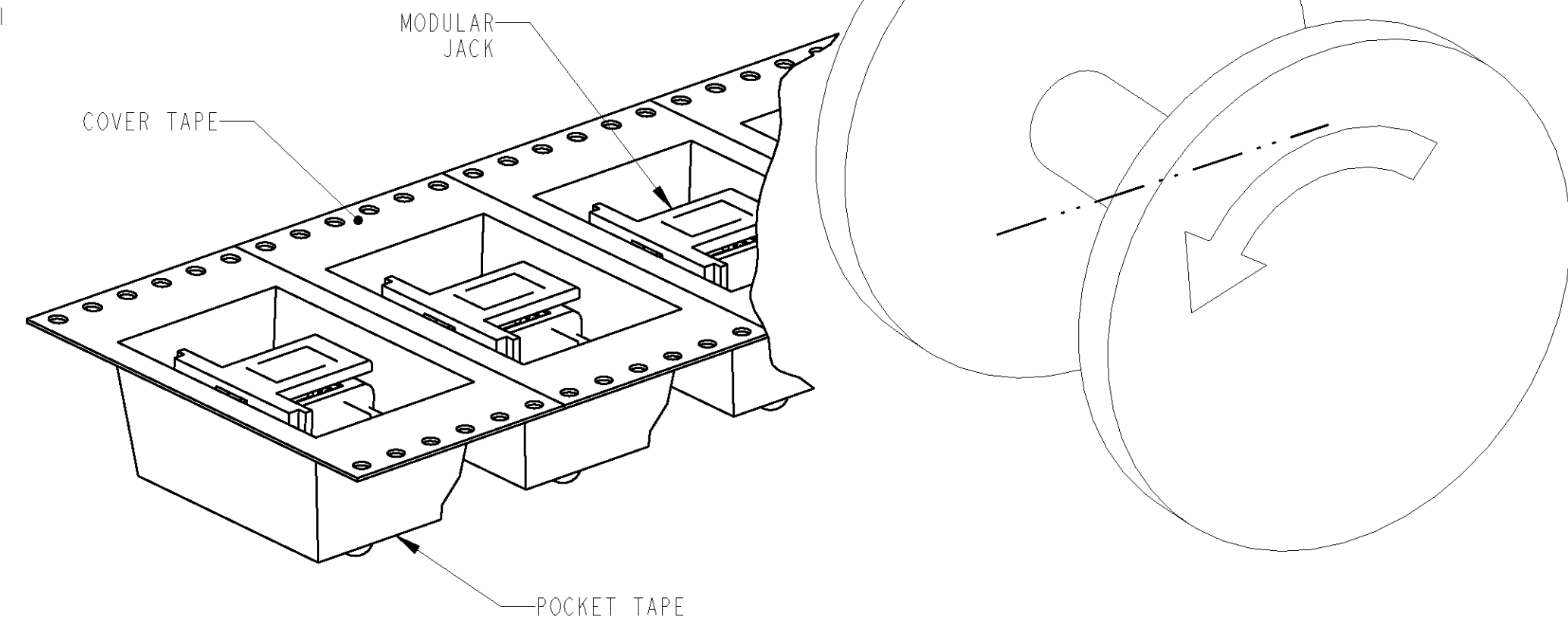
RECOMMENDED PRINTED CIRCUIT BOARD LAYOUT
 COMPONENT SIDE
 SCALE 5:1



DETAIL D
 2 PLC
 SCALE 16:1



BOARDLOCK
 QUANTITY 2



MARKING	MIN GOLD THICKNESS	HOUSING COLOR	PACKAGING	PART NUMBER	
1	0.76µm [0.000030]	GREEN	5	5406721-6	
	0.76µm [0.000030]	GREEN	4	5406721-5	
	0.76µm [0.000030]	BLACK	5	5406721-4	
	0.76µm [0.000030]	BLACK	4	5406721-3	
	0.76µm [0.000030]	GRAY	5	5406721-2	
7	0.76µm [0.000030]	GRAY	4	5406721-1	
	NONE	1.27µm [0.000050]	5	5406721-7	
	1	1.27µm [0.000050]	GREEN	5	5406721-6
		1.27µm [0.000050]	GREEN	4	5406721-5
		1.27µm [0.000050]	BLACK	5	5406721-4
1.27µm [0.000050]		BLACK	4	5406721-3	
1	1.27µm [0.000050]	GRAY	5	5406721-2	
	1.27µm [0.000050]	GRAY	4	5406721-1	

THIS DRAWING IS A CONTROLLED DOCUMENT. DATE: 27 JULY 2005
 DWG: J. AHERON / J. A. MATYER 27 JULY 2005
 CHK: J. WESTMAN
 APPD: S. FLICKINGER 27 JULY 2005
 DIMENSIONS: mm [INCHES]
 TOLERANCES UNLESS OTHERWISE SPECIFIED:
 9 PLC ±
 5 PLC ±0.13 [0.005]
 3 PLC ±
 4 PLC ±
 ANGLES ±
 MATERIAL: SEE NOTE 1
 FINISH: SEE NOTE 1
 WEIGHT: 1.46 gram
 CUSTOMER DRAWING
 NAME: MODULAR JACK ASSEMBLY, SINGLE PORT, 8/8 RIGHT ANGLE, SURFACE MOUNT, WITH PANEL STOPS, INWARD BOARDLOCK
 PRODUCT SPEC: 108-1689
 APPLICATION SPEC: 114-6040
 SIZE: CAGE CODE DRAWING NO. RESTRICTED TO
 A1 00779 C=5406721
 SCALE: 4:1 SHEET 1 OF 1 REV E

X-ON Electronics

Largest Supplier of Electrical and Electronic Components

Click to view similar products for [Modular Connectors / Ethernet Connectors](#) category:

Click to view products by [TE Connectivity](#) manufacturer:

Other Similar products are found below :

[RJE231881317T](#) [MP1010RX-1000](#) [MP44RX-1000](#) [GAX-3-66](#) [GAX-8-62](#) [93606-0253](#) [GD-A-44](#) [GDCX-PA-66-50](#) [GDCX-PN-64](#) [GDCX-PN-66](#) [GDCX-PN-66-50](#) [GDLX-A-66](#) [GDLX-A-88](#) [GDLX-N-66](#) [GDLX-S-88K](#) [GDTX-S-88-50](#) [GDX-PA-1010](#) [GLX-N-1010M-BLK](#) [GLX-N-44M](#) [GLX-S-88M-BLK](#) [GMX-N-1010](#) [GMX-S-1010](#) [GMX-S-66](#) [GMX-SMT2-N-1010](#) [GMX-SMT2-N-64-50](#) [GMX-SMT2-S6-88](#) [GMX-SMT4-N-88](#) [GPX-2-64](#) [GRT1-BT1-5](#) [GSGX-N-2-88](#) [GSX-NS2-88-3.05](#) [GSX-NS2-88-3.05-50](#) [GSX-NS-88-3.05-30](#) [GSX-NS-88-3.05-50](#) [GSX-NS-88-3.68](#) [1-1775629-2](#) [GWLX-S-88-GR](#) [GWLX-S9-88-YG](#) [1300500326](#) [1300500227](#) [1300530003](#) [1300570002](#) [1324640-4](#) [RJ11FTVC2G](#) [RJ11FTVC2N](#) [RJFTVX2SA1G](#) [132764-001](#) [1400000](#) [1413176](#) [1413235](#)