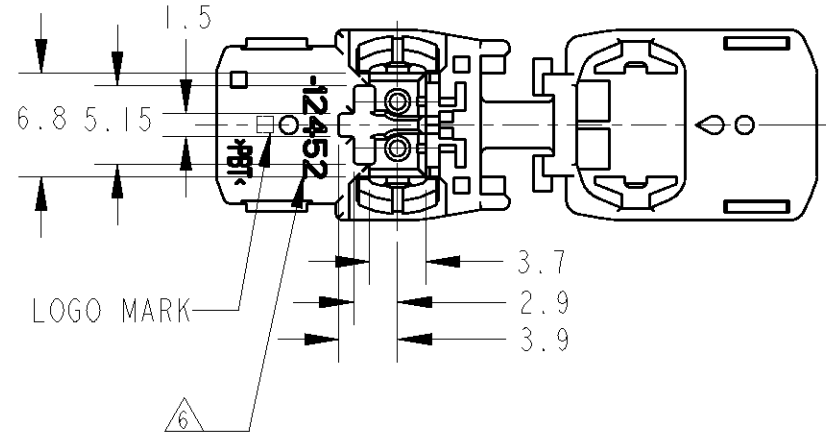
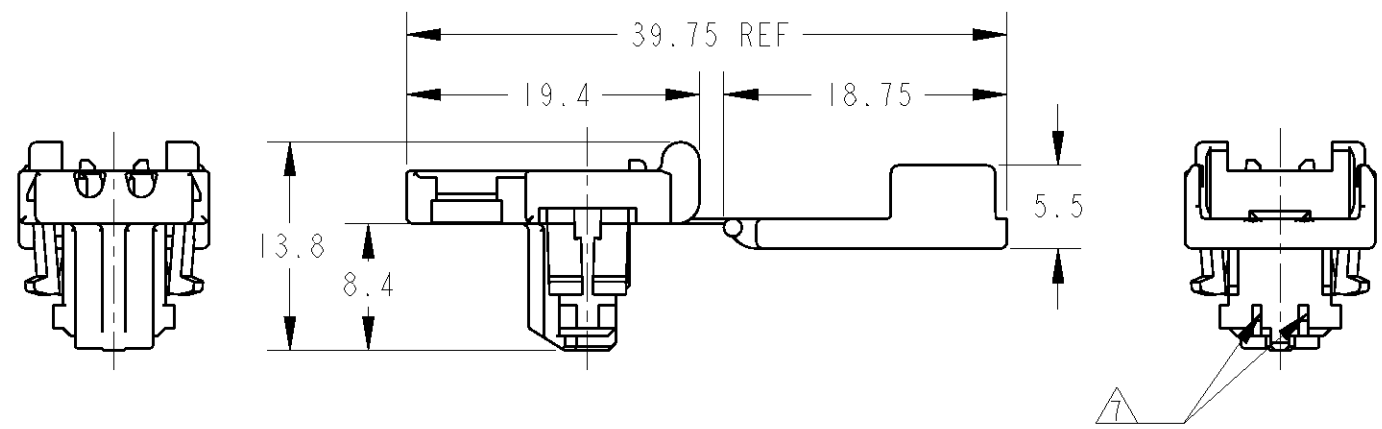
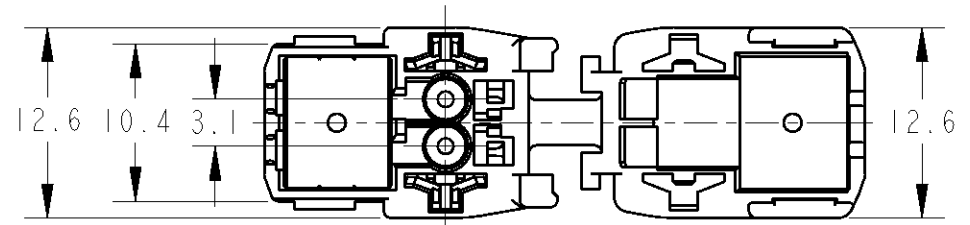


THIS DRAWING IS UNPUBLISHED. RELEASED FOR PUBLICATION 20
 © COPYRIGHT 20 BY TYCO ELECTRONICS CORPORATION. ALL RIGHTS RESERVED.

LOC	DIST	REVISIONS						
		P	LTR	DESCRIPTION	ECN	DATE	DWN	APVD
J	-		01	ADDED -2	FJA0-0638-04	16SEP2004	T.H	H.Y
			02	ADDED -3	FJA0-0785-04	05NOV2004	A.O	H.Y
			03	ADDED -4, -5	ECR-05-004267	06JUN2005	Y.S	H.Y
			A	REVISED	ECR-10-007503	16APR2010	T.S	K.B

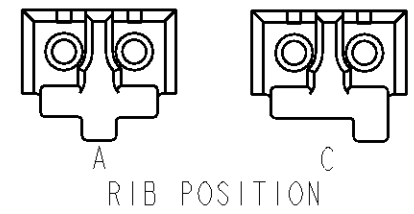


1. APPLICABLE CONTACT P/N: 1612124
(WIRE RANGE: AVSS/AVSSH/AESSX 0.3~0.5mm², CAVS/CAVUS 0.22~0.5mm², HFTUF 2c 0.5mm²)
APPLICABLE FERRITE P/N: 1612123
2. THIS PRODUCT SHOULD BE USED WITH THE IIDIA SQUIB CONNECTOR COMPACT TYPE BUTTON. APPLICABLE BUTTON P/N IS CHANGED FOR SHORT CIRCUIT RING P/N. THE COMBINATION IS SHOWN IN TABLE I
3. APPLICABLE SHORT CIRCUIT RING IS CHANGED FOR BUTTON. THE COMBINATION IS SHOWN IN TABLE I
4. THE FORM OF INTERFACE, SEE THE DRWING OF SHORT CIRCUIT RING.
5. INSTRUCTION SHEET: 411-78033

1. 適用端子品番: 1612124
(適用電線: AVSS/AVSSH/AESSX 0.3~0.5mm², CAVS/CAVUS 0.22~0.5mm², HFTUF 2c 0.5mm²)
適用フェライト品番: 1612123
2. 本製品は、IIDIA SQUIB CONNECTOR COMPACT TYPE BUTTONを装着して使用する。
BUTTON P/Nは、本製品に適用するショートサーキットリング品番により異なる。組み合わせはTABLE Iを参照のこと。
3. 本製品に適用するショートサーキットリング品番は、使用するBUTTONにより異なる。組み合わせはTABLE Iを参照のこと。
4. 嵌合相手形状は、ショートサーキットリング図面を参照のこと。
5. 取扱説明書: 411-78033

SCR	PLUG HSG	BUTTON	
		1612122-1	1827120-1
699638	1612121-1, -2, -3, -4, -5	NOT APPLICABLE	APPLICABLE
1473369	1612121-1, -2, -3, -4, -5	APPLICABLE	APPLICABLE
1376766	1612121-4, -5	NOT APPLICABLE	APPLICABLE

WITHOUT	NONE	C	ORANGE	1612121-5
WITHOUT	NONE	A	YELLOW	1612121-4
WITH	NONE	A	YELLOW	1612121-3
WITH	NONE	C	ORANGE	1612121-2
WITH	-12452	A	BLACK	1612121-1
SLIT		RIB POSITION	COLOR	PART NUMBER



THIS DRAWING IS A CONTROLLED DOCUMENT FOR TYCO ELECTRONICS CORPORATION. IT IS SUBJECT TO CHANGE AND THE CONTROLLING ENGINEERING ORGANIZATION SHOULD BE CONTACTED FOR THE LATEST REVISION.

DWN: R. NAGAI 26MAR2003
 CHK: T. HAYASHI 26MAR2003
 APVD: H. YAMAGAMI 26MAR2003

Tyco Electronics Tyco Electronics Corporation
 Kawasaki, Japan

NAME: IIDIA SQUIB CONNECTOR COMPACT TYPE
 名称: PLUG HOUSING

PRODUCT SPEC: 108-5679
 APPLICATION SPEC: 取付適用規格

MATERIAL: PBT
 FINISH: 仕上 SEE TABLE

WEIGHT: 1.1 g

SIZE: A3
 CAGE CODE: 00779
 DRAWING NO: 1612121

CUSTOMER DRAWING
 SCALE: 2:1
 SHEET: 1 OF 1
 REV: A

X-ON Electronics

Largest Supplier of Electrical and Electronic Components

Click to view similar products for [Automotive Connectors](#) category:

Click to view products by [TE Connectivity](#) manufacturer:

Other Similar products are found below :

[003-018-000](#) [600858](#) [60403001](#) [60993906-B](#) [60993913-B](#) [629515004020001](#) [M902-2131](#) [M902-2161](#) [M902-2344](#) [72.330.1035.1](#)
[73.353.4028.0](#) [F118010](#) [F119300-B](#) [F132210](#) [F132210-B](#) [F166900](#) [F180100](#) [F258300](#) [F258300-B](#) [F294300-B](#) [F339100](#) [F339700](#) [F358300-](#)
[B](#) [F374110](#) [F407400](#) [F412210](#) [F427600](#) [F444110](#) [F487000](#) [F495100-B](#) [F500900-B](#) [F509500B-B](#) [770444-1](#) [776880-1](#) [827153-1](#) [881735-1](#)
[8N1515-32-24P](#) [9-1326727-8](#) [9-1326729-8](#) [925467-1](#) [925474-1](#) [928905-1](#) [936398-2](#) [964562-1](#) [964562-4](#) [964731-2](#) [965051-1](#) [968782-1](#)
[GT17SA-8DS-HU](#) [GT17VS-10DP-5.2CF](#)