

THIS DRAWING IS UNPUBLISHED.

RELEASED FOR PUBLICATION

2011

© COPYRIGHT 2011

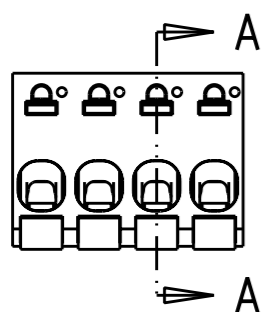
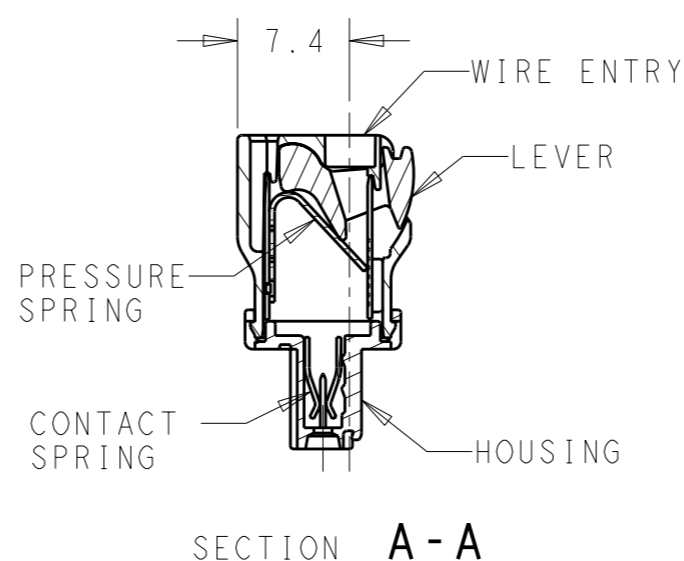
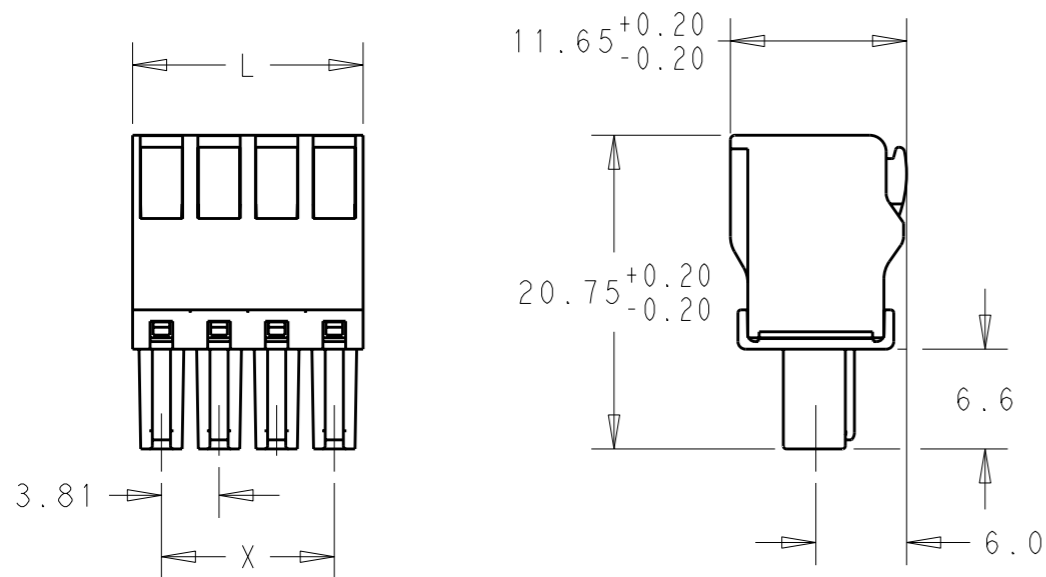
ALL RIGHTS RESERVED.

LOC
AI

DIST
-

REVISIONS

P	LTR	DESCRIPTION	DATE	DWN	APVD
	A	REVISED PER ECO-12-002880	15FEB12	KH	MS

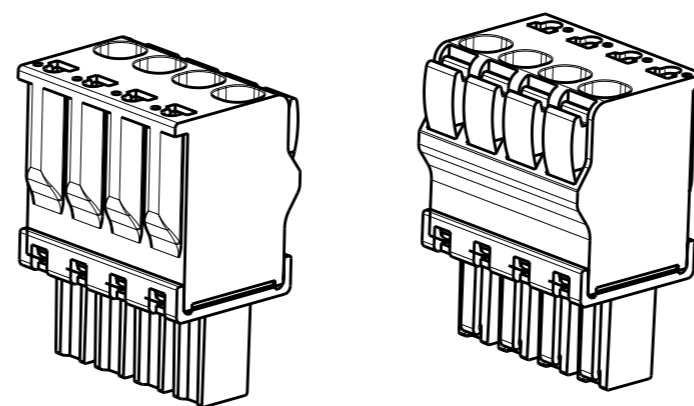


91.44	95.25	25	2-1986720-5
87.63	91.44	24	2-1986720-4
83.82	87.63	23	2-1986720-3
80.01	83.82	22	2-1986720-2
76.20	80.01	21	2-1986720-1
72.39	76.20	20	2-1986720-0
68.58	72.39	19	1-1986720-9
64.77	68.58	18	1-1986720-8
60.96	64.77	17	1-1986720-7
57.15	60.96	16	1-1986720-6
53.34	57.15	15	1-1986720-5
49.53	53.34	14	1-1986720-4
45.72	49.53	13	1-1986720-3
41.91	45.72	12	1-1986720-2
38.10	41.91	11	1-1986720-1
34.29	38.10	10	1-1986720-0
30.48	34.29	9	1986720-9
26.67	30.48	8	1986720-8
22.86	26.67	7	1986720-7
19.05	22.86	6	1986720-6
15.24	19.05	5	1986720-5
11.43	15.24	4	1986720-4
7.62	11.43	3	1986720-3
3.81	7.62	2	1986720-2
DIM X	DIM L	POLE	PART NUMBER

MATERIALS
HOUSING-POLYAMIDE, COLOR-GREEN
LEVER-POLYAMIDE, COLOR ORANGE
CONTACT SPRING-COPPER ALLOY-LEAD FREE TIN PLATED
CLAMPING SPRING-STEEL

MECHANICAL
INSERTION FORCE PER POLE- 3 NEWTON MAX
WITHDRAWAL FORCE PER POLE- 1.5 NEWTON MIN
STRIPPING LENGTH- 10.5 TO 11.5 MM
OPERATING TEMPERATURE--40°C TO +110°C

ELECTRICAL
WIRE SIZE= 30 TO 14 AWG SOLID OR STRANDED
VOLTAGE RATING- 300 VOLTS
CURRENT RATING- 11 AMP STRANDED; 9AMP SOLID
CONTACT RESISTANCE-15 MILLOHM MAX
INSULATION RESISTANCE-10⁹ OHMS MIN (500V DC)



THIS DRAWING IS A CONTROLLED DOCUMENT.

DIMENSIONS:

mm



TOLERANCES UNLESS OTHERWISE SPECIFIED:

0 PLC	±-
1 PLC	±0.40
2 PLC	±0.20
3 PLC	±-
4 PLC	±-
ANGLES	±-

MATERIAL

FINISH

DWN 16 JAN 2012

KIRAN HOLAL

CHK 16 JAN 2012

MIKE SARVER

APVD 16 JAN 2012

MIKE SARVER

PRODUCT SPEC

-

APPLICATION SPEC

-

WEIGHT

-

CUSTOMER DRAWING



TE Connectivity

NAME
**STRAIGHT SPRING TYPE PLUG CONNECTOR,
SIDE STACKABLE RIGHT
02 - 25 POLES PITCH 3.81mm**

SIZE	CAGE CODE	DRAWING NO	RESTRICTED TO
A3	00779	1986720	-

SCALE	SHEET	OF	REV
2:1	1	1	A

X-ON Electronics

Largest Supplier of Electrical and Electronic Components

Click to view similar products for [Pluggable Terminal Blocks](#) category:

Click to view products by [TE Connectivity](#) manufacturer:

Other Similar products are found below :

[57.404.7553](#) [57.504.0053.7](#) [57.510.0053](#) [57.910.6153](#) [01.112.1453](#) [CTB932VE/6](#) [MC 1.5/ 6-ST-3.5 GY AU](#) [ET02015000J0G](#) [734-104](#) [734-302](#) [734-304](#) [8-141-P](#) [FKCT 2.5/ 3-ST KMGY](#) [860505](#) [860508](#) [860516](#) [860810](#) [861908](#) [GBPACX-12](#) [93.731.4953.0](#) [PV05-5,08-K](#) [PVP02-5,00](#) [PVP04-3,50](#) [PVS02-5,00](#) [1-1986160-3](#) [H-10](#) [1546228-5](#) [ELFP03110](#) [ELVP03100](#) [ELXH03100](#) [ELXP041G0](#) [ELXT046G0](#) [1700101](#) [1700410](#) [1700425](#) [1703176](#) [1703243](#) [1705229](#) [1710175](#) [1714537](#) [1717806](#) [1719600](#) [1728941](#) [1729386](#) [1734692](#) [1734795](#) [1736036](#) [1740194](#) [1740291](#) [1740628](#)