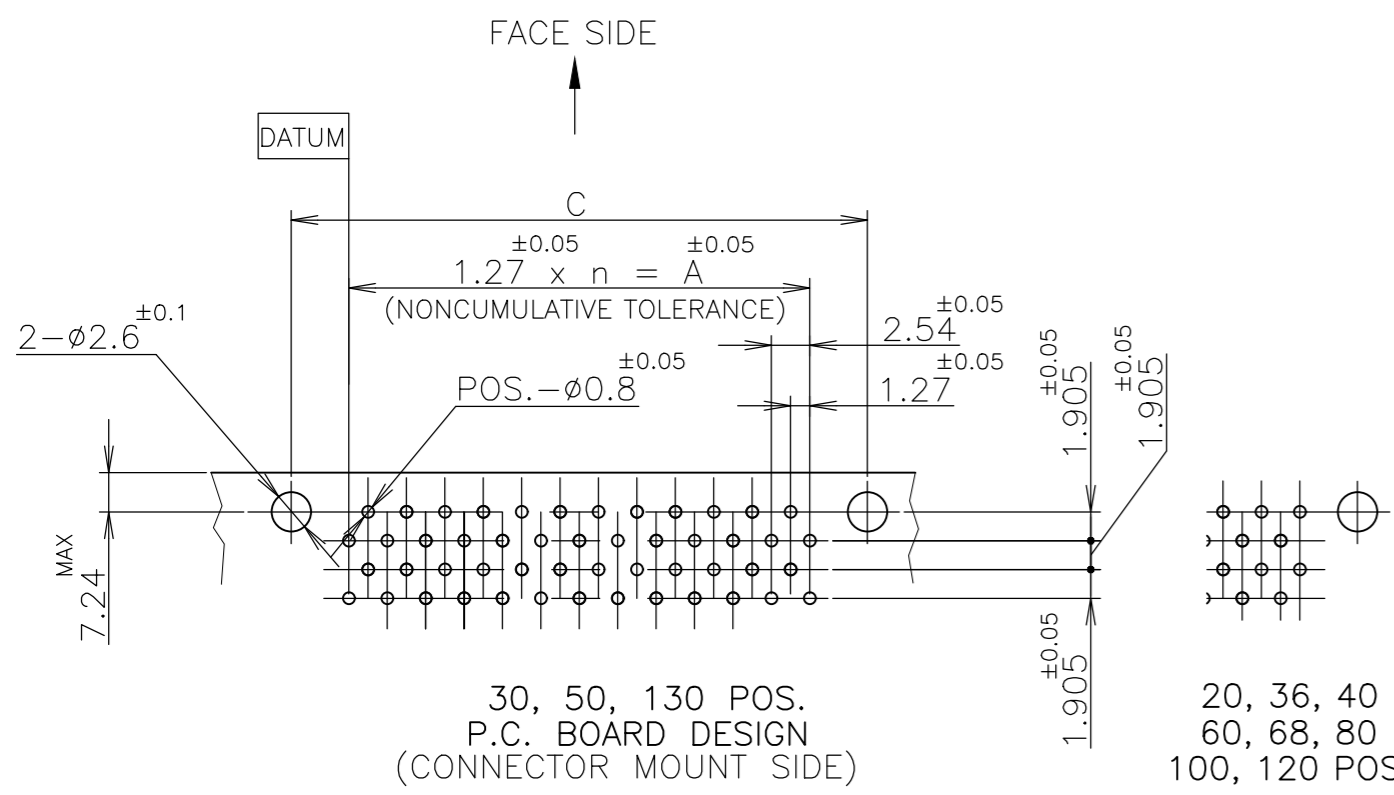
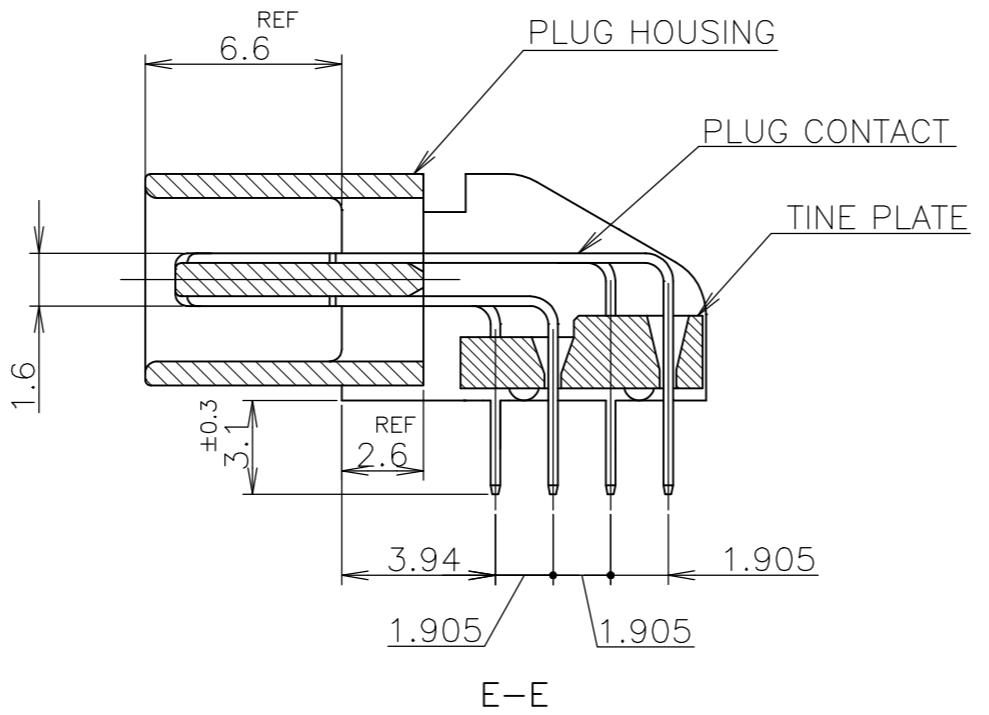
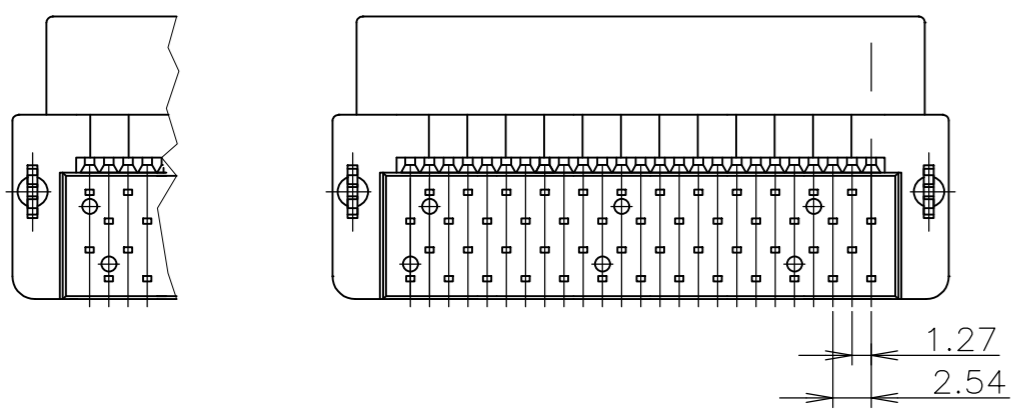
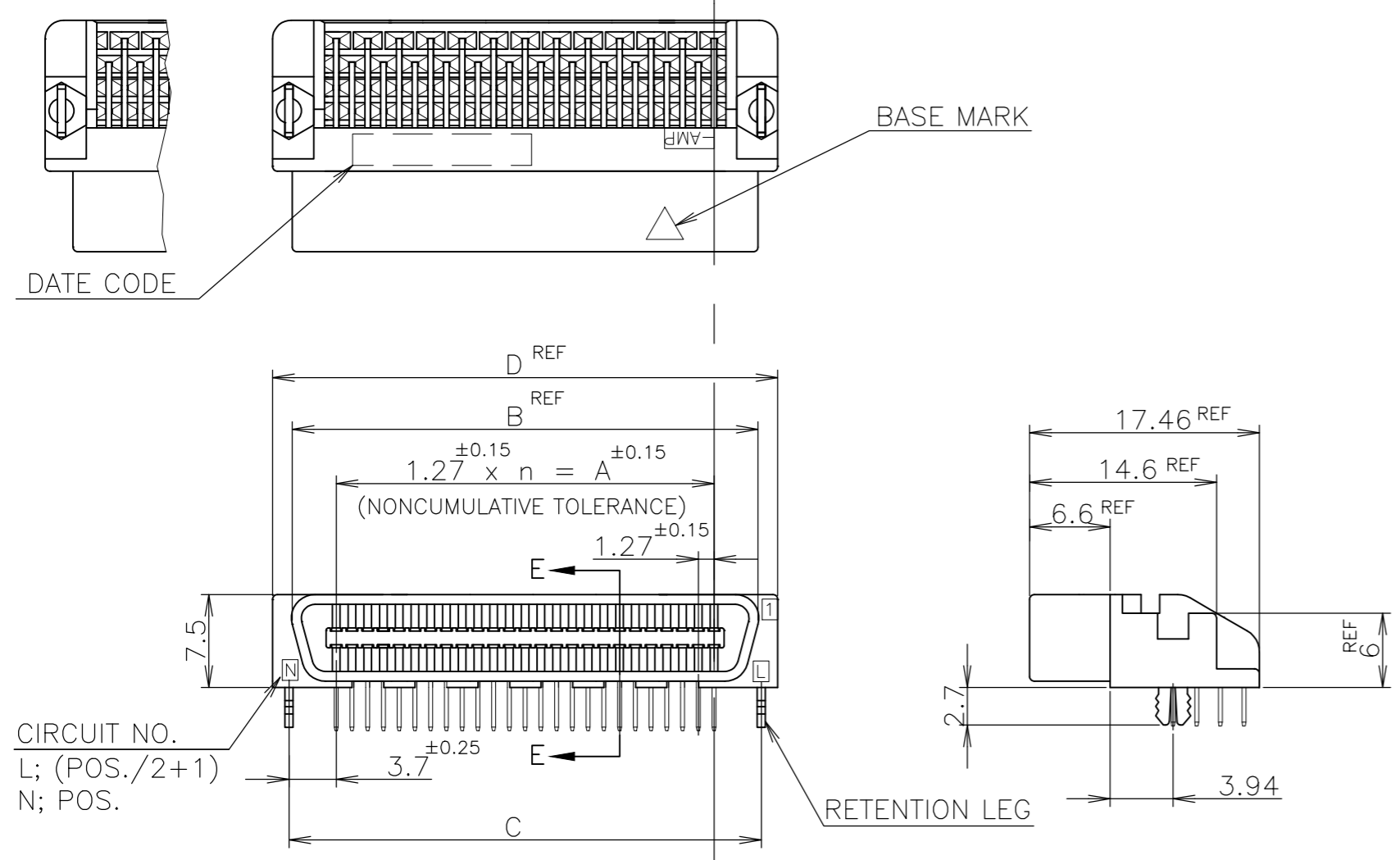


REVISIONS					
P	LTR	DESCRIPTION	DATE	DWN	APVD
C		REVISED PER ECO-17-008763	22JAN2018	RG	SH

20, 40, 60, 68, 80
100, 120 POS.
30, 50, 130 POS.



- 1 NUMBER "n" IS COUNTED FROM DATUM (CIRCUIT NO.1 IS "AMP" MARK SIDE.)
- MATERIA: HOUSING, 66 NYLON (GF) UL 94V-0, BLACK.
: CONTACT, PHOSPHOR BRONZE.
: RETENTION LEG; BRASS.
- FINISH: CONTACT; Au AT CONTACT AREA (SEE TABLE), TIN AT TINE, OVER Ni.
RETENTION LEG; TIN UNDER Ni.

OBSOLETE	6	-2		130	64	81.28	89.62	88.68	92.48		
OBSOLETE	6	-1		120	59	74.93	83.27	82.33	86.13		
	6	-0		100	49	62.23	70.57	69.63	73.43		
	5	-9		80	39	49.53	57.87	56.93	60.73		
	5	-8		68	33	41.91	50.25	49.31	53.11		
	5	-7		60	29	36.83	45.17	44.23	48.03		
	5	-6		50	24	30.48	38.82	37.88	41.68		
	5	-5		40	19	24.13	32.47	31.53	35.33		
	5	-4		36	17	21.59	29.93	28.99	32.79		
OBSOLETE	5	-3		30	14	17.78	26.12	25.18	28.98		
OBSOLETE	5	-1	0.00076	20	9	11.43	19.77	18.83	22.63		
OBSOLETE	4	-2		130	64	81.28	89.62	88.68	92.48		
	4	-1		120	59	74.93	83.27	82.33	86.13		
	4	-0		100	49	62.23	70.57	69.63	73.43		
	3	-9		80	39	49.53	57.87	56.93	60.73		
	3	-8		68	33	41.91	50.25	49.31	53.11		
	3	-7		60	29	36.83	45.17	44.23	48.03		
	3	-6		50	24	30.48	38.82	37.88	41.68		
	3	-5		40	19	24.13	32.47	31.53	35.33		
OBSOLETE	3	-4		36	17	21.59	29.93	28.99	32.79		
	3	-3		30	14	17.78	26.12	25.18	28.98		
	3	-1	0.0005	20	9	11.43	19.77	18.83	22.63		
OBSOLETE	1	-2		130	64	81.28	89.62	88.68	92.48		
	1	-1		120	59	74.93	83.27	82.33	86.13		
	1	-0		100	49	62.23	70.57	69.63	73.43		
OBSOLETE		-9		80	39	49.53	57.87	56.93	60.73		
		-8		68	33	41.91	50.25	49.31	53.11		
		-7		60	29	36.83	45.17	44.23	48.03		
OBSOLETE		-6		50	24	30.48	38.82	37.88	41.68		
OBSOLETE		-5		40	19	24.13	32.47	31.53	35.33		
		-4		36	17	21.59	29.93	28.99	32.79		
		-3		30	14	17.78	26.12	25.18	28.98		
				20	9	11.43	19.77	18.83	22.63		
				5175472-1	0.0002						
				PART NO.	Au PLATE	POS.	n	A	B	C	D

LEAD FREE

GENERAL TOLERANCE
 10 ≥ ±0.2
 30 > 10: ±0.25
 100 ≥ > 30: ±0.3
 ANGLES: ±3°

THIS DRAWING IS A CONTROLLED DOCUMENT.

DWN: Julyee Zhu 18AUG2004	NAME: Steven Yao	TE Connectivity Ltd.
CHK: Steven Yao 18AUG2004	APVD: Ikuo Enomoto 18AUG2004	AMP CHAMP .050 CONNECTOR (B-T-B) PLUG CONNECTOR (HORIZONTAL WITH RETENTION LEG)
DIMENSIONS: mm	TOLERANCES UNLESS OTHERWISE SPECIFIED: 0 PLC ± 1 PLC ± 2 PLC ± 3 PLC ± 4 PLC ± ANGLES ±	PRODUCT SPEC: 108-60038
MATERIAL: 2	FINISH: 3	WEIGHT: 0.000000
CUSTOMER DRAWING	SCALE: NTS	SHEET: 1 OF 1

X-ON Electronics

Largest Supplier of Electrical and Electronic Components

Click to view similar products for [D-Sub High Density Connectors](#) category:

Click to view products by [TE Connectivity](#) manufacturer:

Other Similar products are found below :

[1484349-1](#) [163A16769X](#) [163A16809X](#) [163A17089X](#) [164A17199X](#) [164A17209X](#) [164A17479X](#) [164A18209X](#) [17BH-044S-AA110](#) [K86X-AD-26S](#) [KF66X-A26P-NJ](#) [KF66X-E15P-N](#) [241A17320X](#) [242A18390X](#) [242A25740X](#) [L717HDB44POL2R210](#) [L717HDCH62POL2RM5](#) [L717HDEH15POL2](#) [L777HDE15P](#) [L77HDC62S](#) [L77HDE15SC309](#) [163A16779X](#) [163A16839X](#) [163A17049X](#) [163A17079X](#) [164A17309X](#) [164A17329X](#) [164A18219X](#) [241A16440X](#) [241A16550X](#) [241A16680X](#) [241A17390X](#) [241A20810X](#) [241A25740X](#) [CT25-44P](#) [K66X-E15S-N30](#) [K86X-BA-44S](#) [K86X-ED-15S-BR15](#) [K86X-ED-15SK](#) [L177HDE15SOL2RM23](#) [L177HRC62S](#) [L177HRC62SVFM](#) [L177HRCG62S](#) [L717HDBH44POL2RM5](#) [L717HDEG15POL2RM5](#) [L77HDA26SVF](#) [L77HDE15SD1CO](#) [L77HDEH15SOL2RM832](#) [DAMA-15S-WS](#)
[443895-3](#)