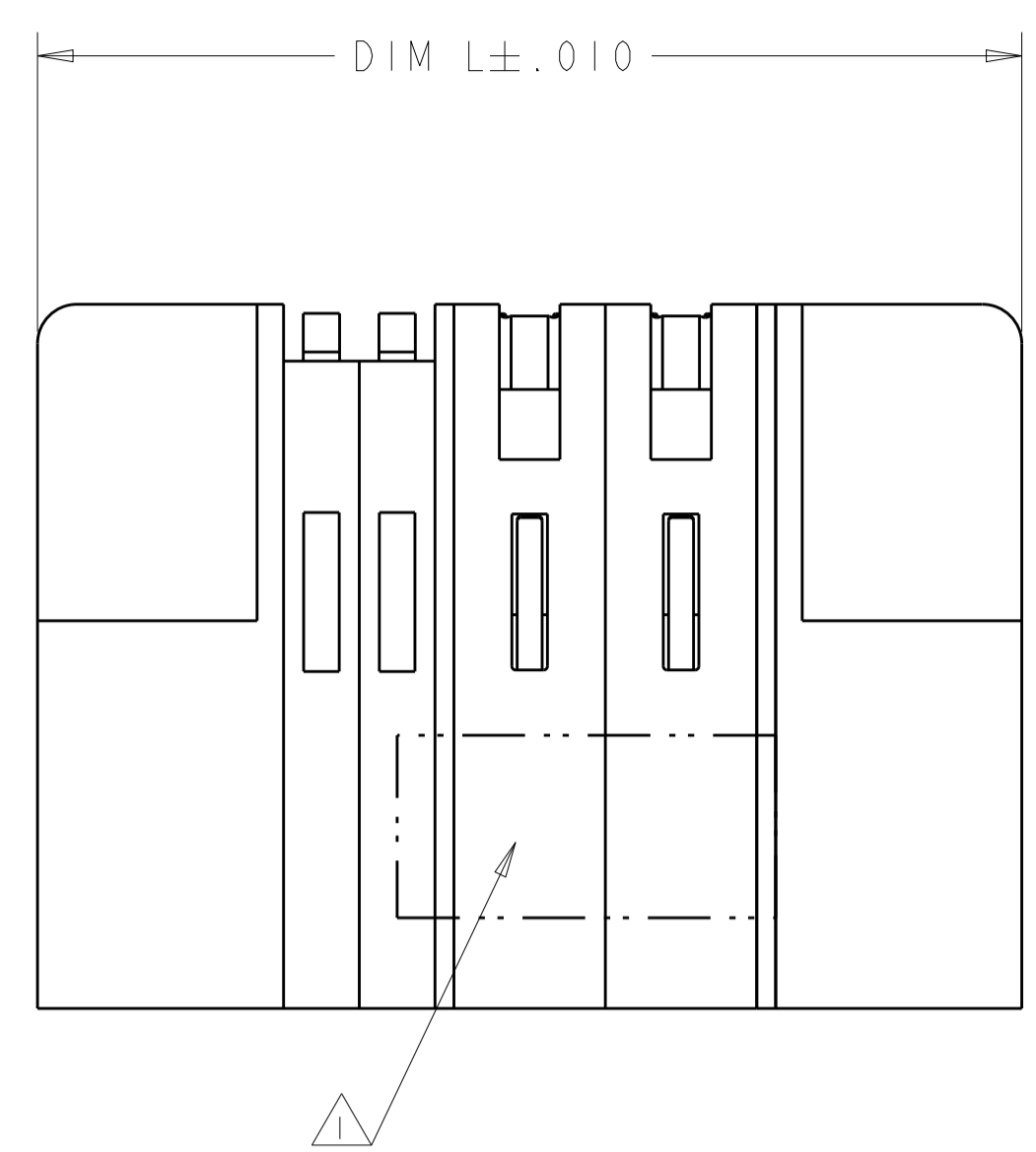
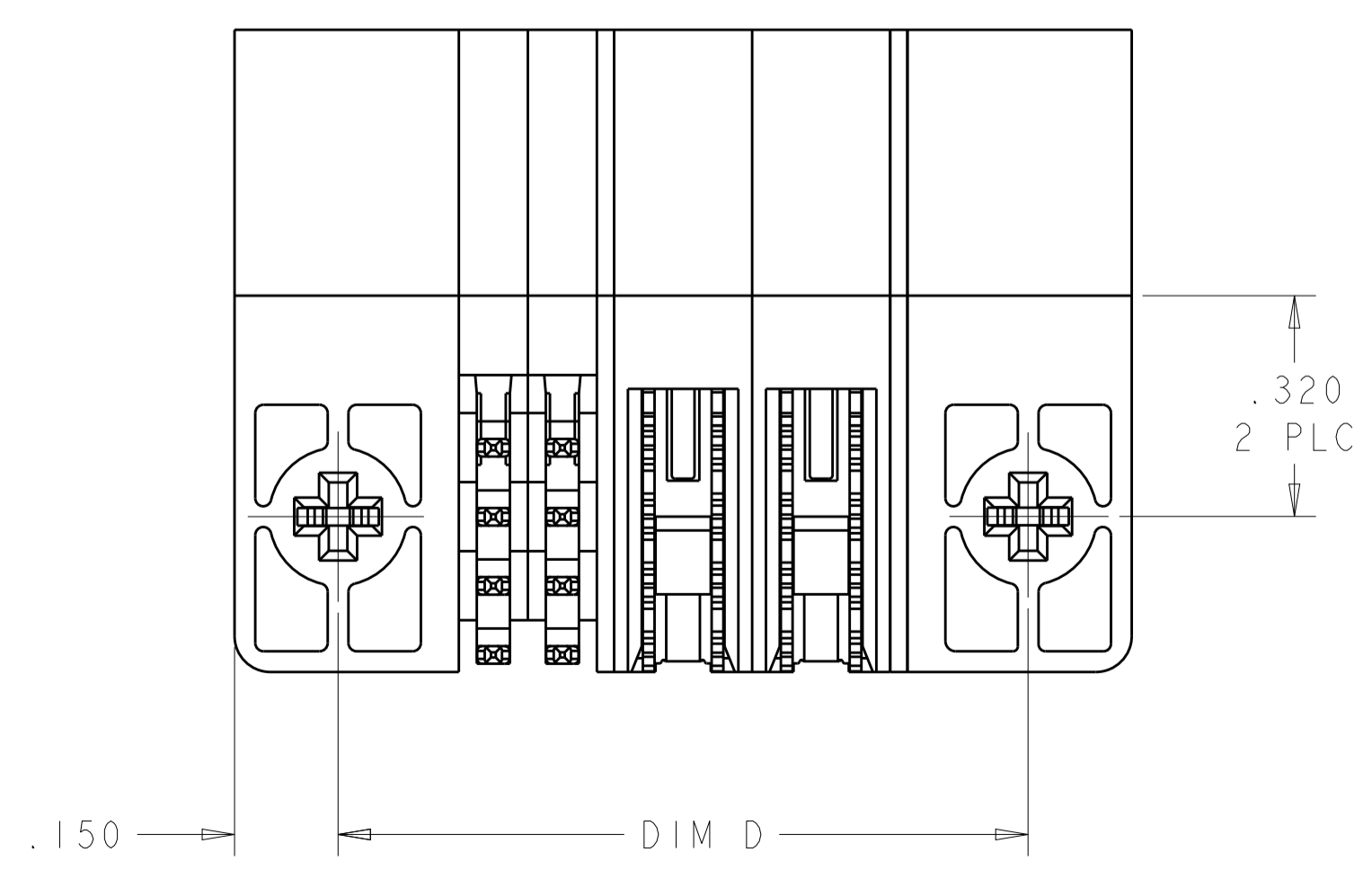
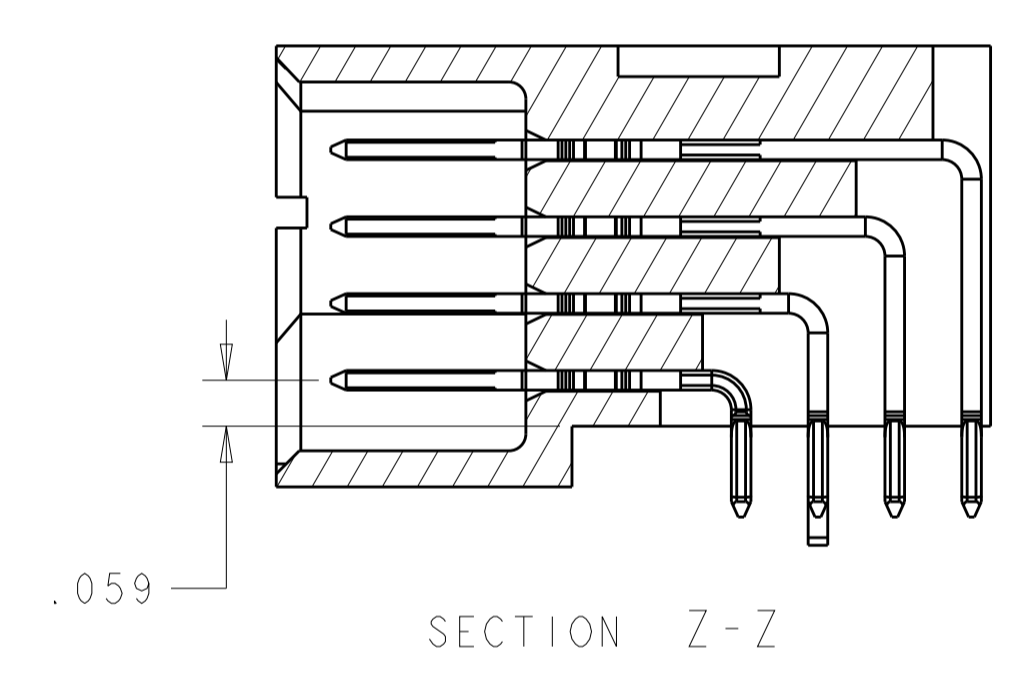
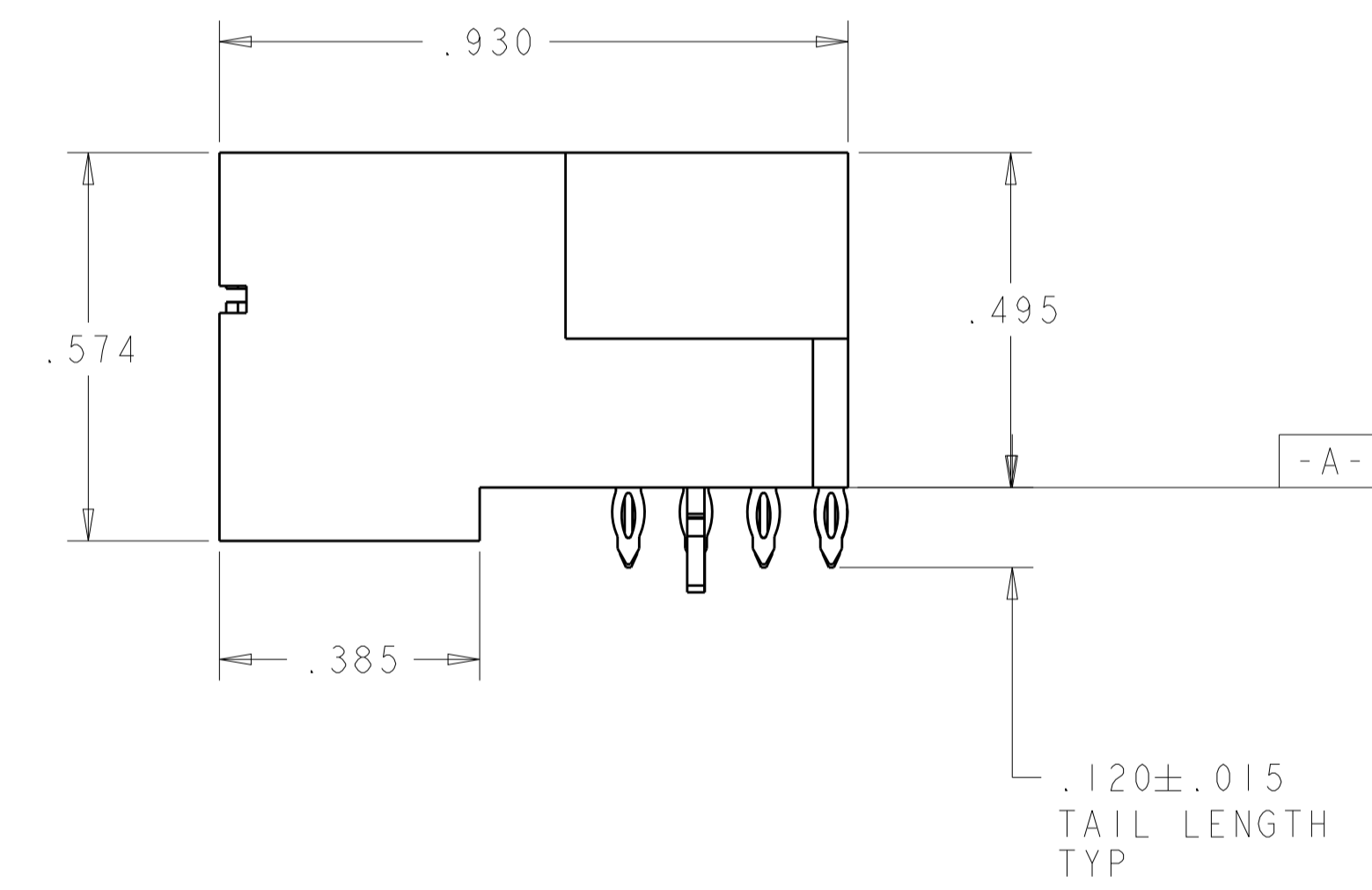
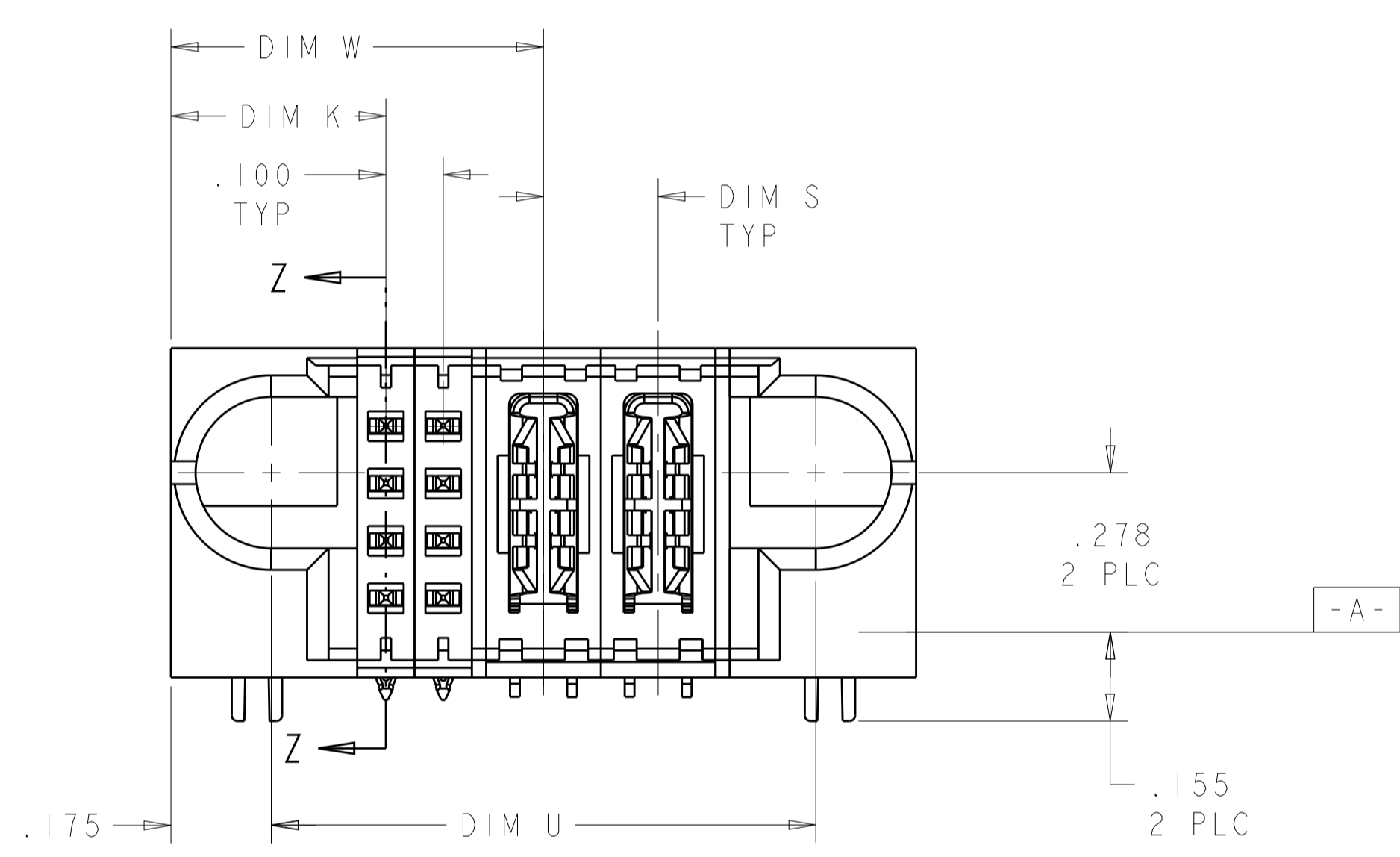


LOC		DIST		REVISIONS			
P	LTN	DESCRIPTION	DATE	DWN	APVD		
A		REV PER ECR-07-000484	11JAN2007	CZ	SY		
A1		ADDED NEW DASH NUMBER -3 AND -4	24SEP2012	CZ	SZ		



- △ PART NUMBER, AND DATE CODE MARKED IN AREA SHOWN. MARKING ON BOTH SIDES PERMITTED FOR PARTS UNDER 2.00 LONG.
- △ MATERIAL:
 HOUSING - GLASS FILLED HIGH TEMP THERMO PLASTIC, UL94 V-0
 SIGNAL CONTACT - COPPER ALLOY
 POWER CONTACT - HIGH CONDUCTIVITY COPPER ALLOY
- △ CONTACT PLATING: NOBLE METAL PLATING ON CONTACT FUNCTIONAL AREA OF POWER AND SIGNAL CONTACTS
- △ MECHANICAL CONNECTOR KEEP OUT ZONE.
- △ DATUM AND BASIC DIMENSIONS ESTABLISHED BY CUSTOMER.
- △ PCB - ALL HOLE DIAMETERS ARE FINISHED HOLE SIZES.
- △ PCB - .0453±.0010 DRILLED HOLES PLATED WITH .0003 MIN Sn OVER .001 TO .003 Cu PLATING TO ACHIEVE A .040 HOLE.



.250	1.775	.925	1.825	2.125	.425	16S + 4P	6450521-4
.250	1.675	.825	1.725	2.025	.425	12S + 4P	6450521-3
.200	1.750	.650	1.800	2.100	.375	8S + 6HDP	6450521-2
.200	.950	.650	1.000	1.300	.375	8S + 2HDP	6450521-1
DIM S	DIM U	DIM W	DIM D	DIM L	DIM K	DESCRIPTION	PART NUMBER

THIS DRAWING IS A CONTROLLED DOCUMENT. DWN C. ZHOU 04JAN2007
 CHK S. ZHAO 04JAN2007

DIMENSIONS: INCHES TOLERANCES UNLESS OTHERWISE SPECIFIED:
 0 PLC ±.1
 1 PLC ±.01
 2 PLC ±.005
 3 PLC ±.0020
 4 PLC ±.0020
 ANGLES #2

MATERIAL FINISH

APVD S. YAO

PRODUCT SPEC 108-1973
 APPLICATION SPEC 114-13038

WEIGHT

CUSTOMER DRAWING

NAME: RIGHT ANGLE HEADER MULTI-BEAM XL, SIG-PWG W/GUIDES HOLD DOWNS, PRESS FIT

SIZE: A1 CAGE CODE: 6450521 DRAWING NO: 100779

RESTRICTED TO: -

SCALE: 4:1 SHEET 1 OF 3 REV: A1

LOC	DIST	REV	DATE	BY	APPV
ES	00				

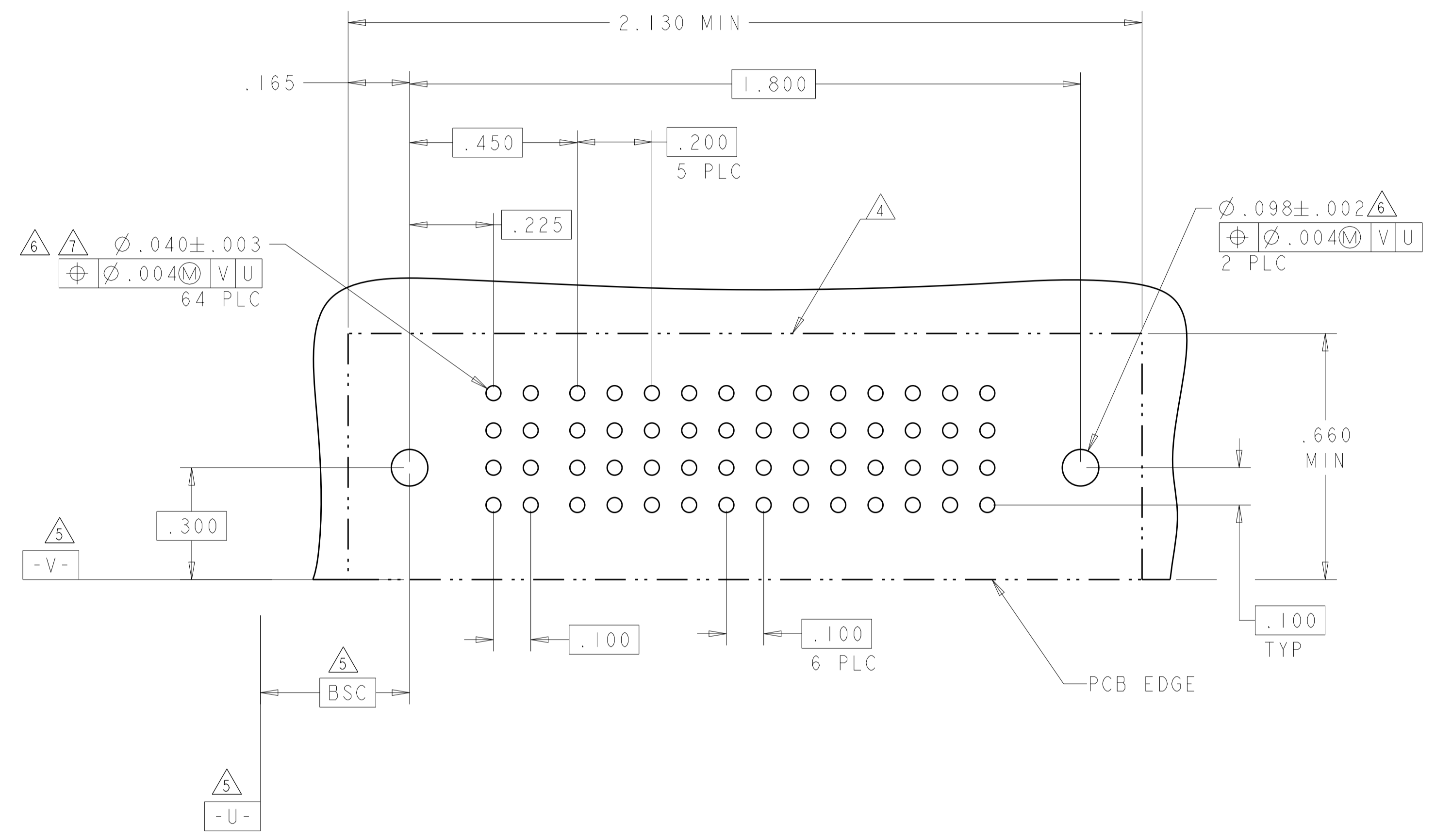
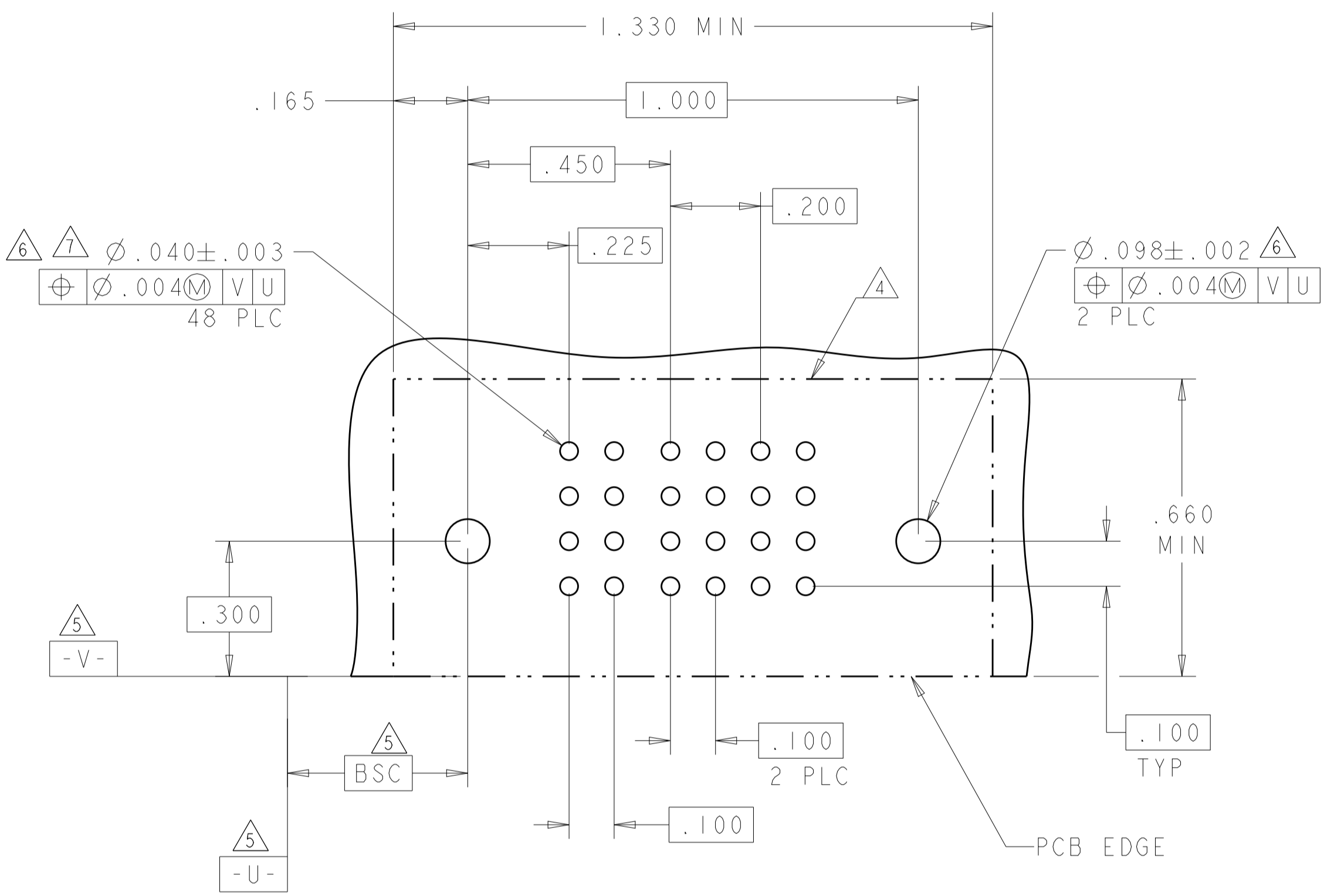
REVISIONS			
REV	DATE	BY	APPV
-	-	-	-
-	-	-	-

PART NUMBER	ROWS	SIGNAL		POWER	
		1	2	P1	P2
6450521-1	D	Z5	Z5	PT	PT
	C	Y5	Y5	PT	PT
	B	R5	R5	PT	PT
	A	O5	O5	PT	PT

8S + 2HDP

PART NUMBER	ROWS	SIGNAL		POWER					
		1	2	P1	P2	P3	P4	P5	P6
6450521-2	D	Z5	Z5	PT	PT	PT	PT	PT	PT
	C	Y5	Y5	PT	PT	PT	PT	PT	PT
	B	R5	R5	PT	PT	PT	PT	PT	PT
	A	O5	O5	PT	PT	PT	PT	PT	PT

8S + 6HDP



CODE	MATING SEQUENCE	ROW
Z5	STD	D
Y5	STD	C
R5	STD	B
O5	STD	A

POWER		SIGNAL	
CODE	MATING SEQUENCE	CODE	MATING SEQUENCE
PT	STD		

THIS DRAWING IS A CONTROLLED DOCUMENT.

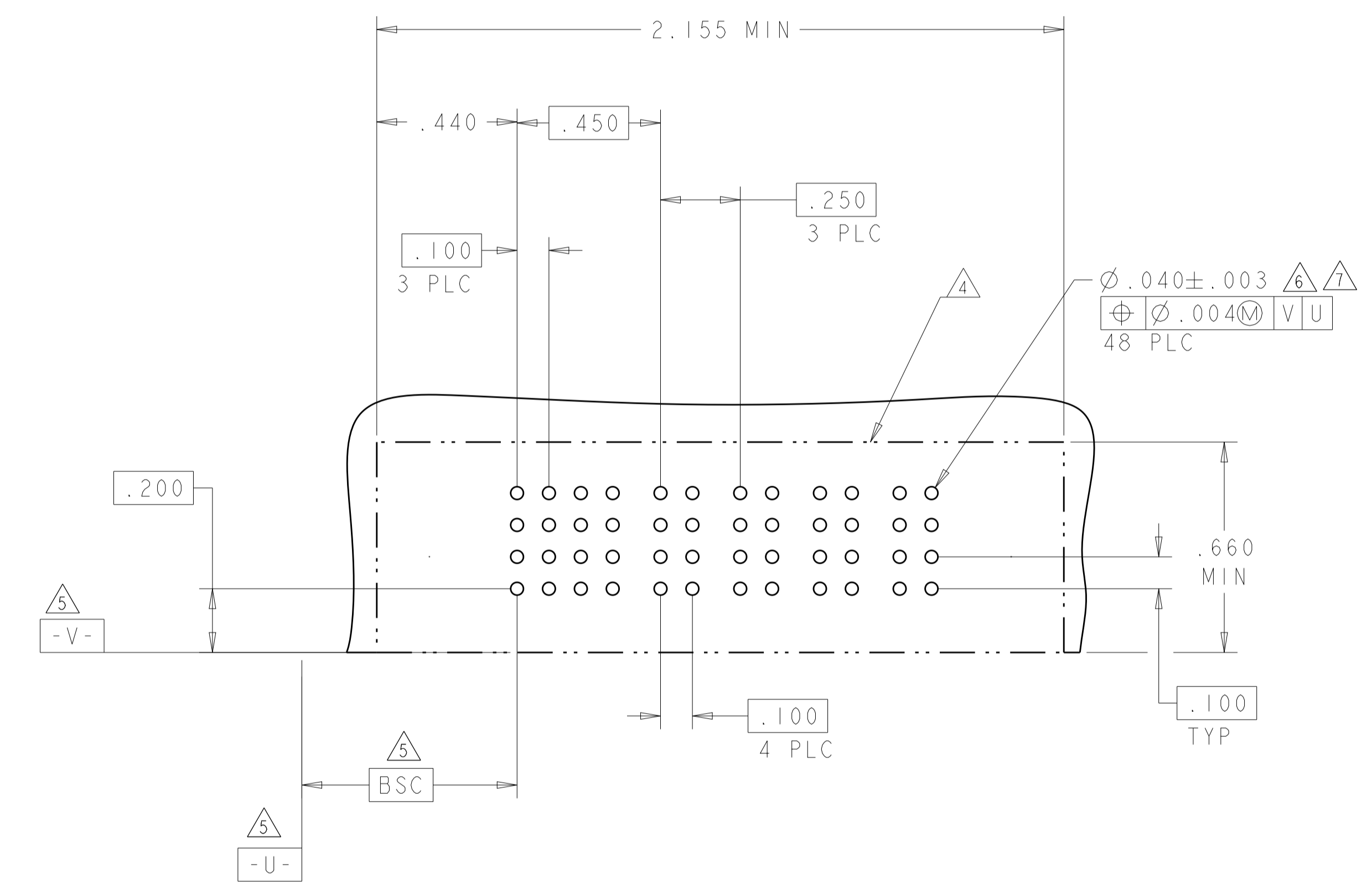
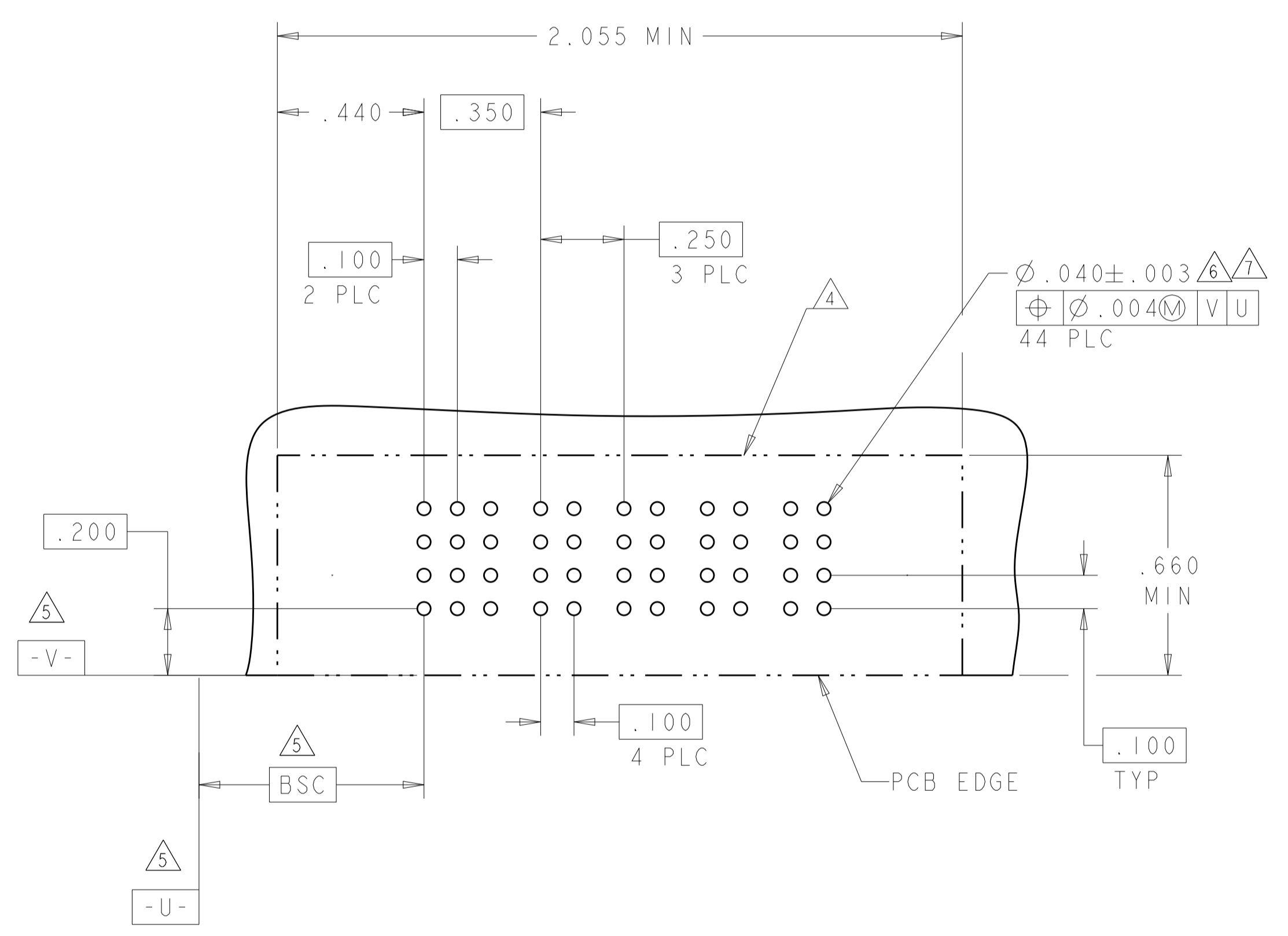
DIMENSIONS:	TOLERANCES UNLESS OTHERWISE SPECIFIED:	OWN	04JAN2007
INCHES	0 PLC ±.1	CHK	C. ZHOU
	2 PLC ±.01	CHK	S. ZHAO
	3 PLC ±.01	APPV	S. YAO
	4 PLC ±.005	NAME	
	5 PLC ±.0020	PRODUCT SPEC	RIGHT ANGLE HEADER
	ANGLES #2	APPLICATION SPEC	MULTI-BEAM XL, SIG-PWG W/GUIDES
MATERIAL	FINISH	SIZE	HOLD DOWNS, PRESS FIT
		SCALE	114-13038
		WEIGHT	A100779C=6450521
		CUSTOMER DRAWING	SCALE 4:1 SHEET 2 OF 3 REV A1

STE TE Connectivity

LOC	DIST	REVISIONS			
P	LTH	DESCRIPTION	DATE	DMN	APVD
ES	00	SEE SHEET 1			

PART NUMBER	ROWS	SIGNAL			POWER			
		1	2	3	P1	P2	P3	P4
6450521-3	D	Z5	Z5	Z5	PT	PT	PT	PT
	C	Y5	Y5	Y5				
	B	R5	R5	R5				
	A	O5	O5	O5				
12S + 4P								

PART NUMBER	ROWS	SIGNAL				POWER			
		1	2	3	4	P1	P2	P3	P4
6450521-4	D	Z5	Z5	Z5	Z5	PT	PT	PT	PT
	C	Y5	Y5	Y5	Y5				
	B	R5	R5	R5	R5				
	A	O5	O5	O5	O5				
16S + 4P									



THIS DRAWING IS A CONTROLLED DOCUMENT.		DMN C. ZHOU 04JAN2007	TE Connectivity
DIMENSIONS: INCHES		CHK S. ZHAO 04JAN2007	
TOLERANCES UNLESS OTHERWISE SPECIFIED:		APVD S. YAO	NAME RIGHT ANGLE HEADER MULTI-BEAM XL, SIG-PWG W/GUIDES HOLD DOWNS, PRESS FIT
		PRODUCT SPEC 108-1973	SIZE A1
MATERIAL		APPLICATION SPEC 114-13038	CAGE CODE 6450521
FINISH		WEIGHT	RESTRICTED TO
CUSTOMER DRAWING		SCALE 4:1	SHEET 3 OF 3
		REV A1	

X-ON Electronics

Largest Supplier of Electrical and Electronic Components

Click to view similar products for [Power to the Board](#) category:

Click to view products by [TE Connectivity](#) manufacturer:

Other Similar products are found below :

[10131318-08512GRLF](#) [6450171-4](#) [6450552-7](#) [6600323-8](#) [6643429-1](#) [6646040-2](#) [6651939-1](#) [6766604-1](#) [120959-1](#) [1393557-2](#) [1393532-2](#)
[1393532-3](#) [1393532-4](#) [1393557-1](#) [1600812-5](#) [1-6450861-2](#) [1645595-1](#) [1743490-1](#) [1744132-7](#) [1761122-1](#) [1766169-1](#) [1766250-1](#) [18362](#)
[1892109-1](#) [1-967627-6](#) [2226808-1](#) [2-6450860-5](#) [2-6450860-6](#) [2-6450870-0](#) [93003-0502](#) [953552-1](#) [1-6450161-4](#) [1-6450850-6](#) [1645526-2](#) [1-](#)
[6600130-0](#) [1743419-1](#) [1766150-1](#) [2005243-2](#) [211110-1](#) [2-6600130-2](#) [TE34-12-16P-F0](#) [5-6450830-6](#) [5646956-4](#) [36662-0005](#) [40585-3000](#) [4-](#)
[6450830-9](#) [4-6600333-3](#) [51142-0214](#) [10134048-911LF](#) [10130248-005LF](#)