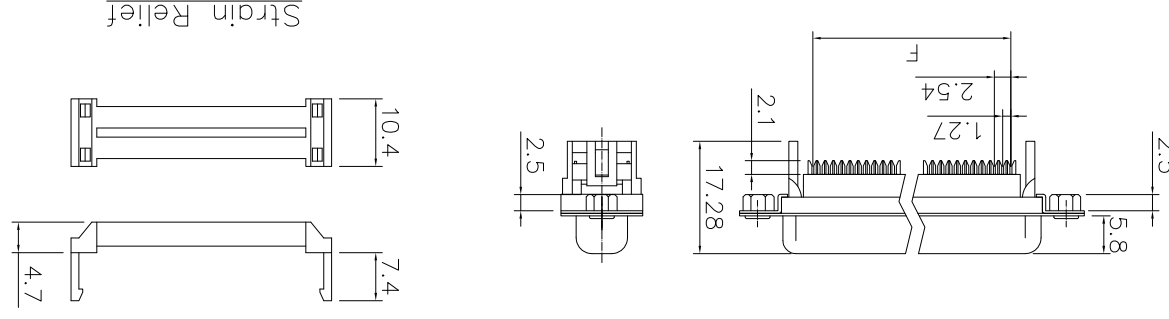
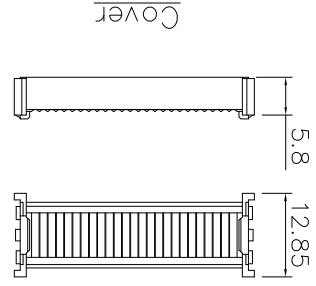
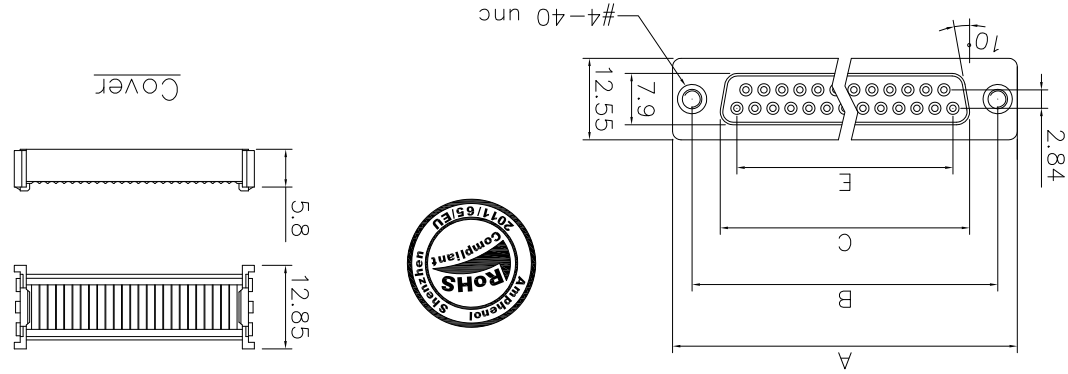


This document is the property of Amphenol Corporation and is delivered on the express condition that it is not to be copied, reproduced or used, in whole or in part, for manufacture or sale by anyone other than Amphenol Corporation without its prior consent, & that no right is granted to disclose or to use any information in this document.

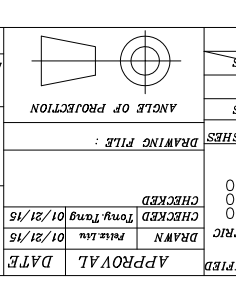
# Customer drawing



Positions	A	B	C	E	F
9	30.81	24.99	16.33	11.08	10.16
15	39.20	33.30	24.70	19.39	17.78
25	53.05	47.04	38.40	33.24	30.48
37	69.40	63.50	54.80	49.86	45.72

Dimensions

UNLESS OTHERWISE SPECIFIED	
U.S.	METRIC
TOLERANCES	
.XX +/-.XX	+/-.XX
.XX +/-.XX	+/-.XX
.XX +/-.XX	+/-.XX
ANGLES +/-.XX	
REMOVE SHARP EDGES	
DIMENSIONS	
U.S.	INCHES
MM	MM



DATE	APPROVAL
01/21/15	Tong/Tang
01/21/15	Patrizia
01/21/15	CHECKED

SIZE	DRAWING NO.
A4	L17DXFRDAXXS309

SCALE	NONE
SHEET 1 OF 1	

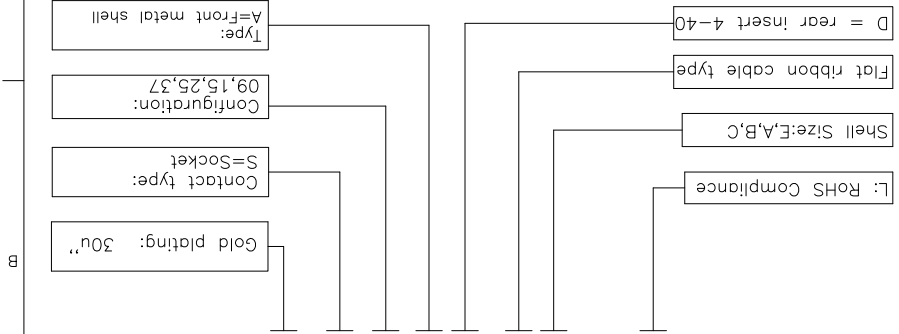
REV.	DESCRIPTION
2	Update the Drawing
1	First Release Drawing

DATE	APPROVED
10/29/08	IP
01/21/15	IP

## D-SUB TECHNICAL DATA

**SHELL :** Steel, 100u" Tin Over 50u" min nickel over 50u" min Copper  
**BODY :** Glass-filled Thermoplastic PBT,UL94V-0,Black  
**CONTACTS :** Copper alloy  
**30u"** gold over 50u" nickel on mating area  
**100u"** tin over 50u" nickel on termination area  
**Rear Nut :** Brass, Nickel Plated.  
**ELECTRICAL :** Voltage rating 250 VAC/Rms 60HZ  
 Current Rating :3 AMP  
 Withstanding Voltage >1000 VAC Rms  
 Insulation resistance >1000 M Ohms  
 Contact resistance 20 mOhms max  
**MARKING :** Amphenol...(Series No.)  
 Commercial reference  
 Manufacturing date

**PRODUCT CODE**  
**L 17D X FR D A XX S C309**



DATE	APPROVAL
01/21/15	Tong/Tang
01/21/15	Patrizia
01/21/15	CHECKED

SIZE	DRAWING NO.
A4	L17DXFRDAXXS309

SCALE	NONE
SHEET 1 OF 1	

REV.	DESCRIPTION
2	Update the Drawing
1	First Release Drawing

DATE	APPROVED
10/29/08	IP
01/21/15	IP

## X-ON Electronics

Largest Supplier of Electrical and Electronic Components

*Click to view similar products for [D-Sub Standard Connectors](#) category:*

*Click to view products by [Amphenol](#) manufacturer:*

Other Similar products are found below :

[DCM37S732N](#) [DAM15P500](#) [DEV09S364GTLF](#) [DEM09P032N](#) [DDM50P732N](#) [DAM15S332N](#) [173109-2218](#) [173109-2466](#) [173109-2436](#)  
[173109-2435](#) [56F706-005-LI](#) [56F711-015](#) [015-0341-000](#) [015-0372-008](#) [015-8544-011](#) [017041-0005](#) [020419-0104](#) [012-0515-000](#) [012-9507-](#)  
[034](#) [012-9507-114](#) [012-9534-001](#) [020745-0008](#) [609-25P](#) [M24308/2-23Z](#) [M243082310F](#) [M243082410F](#) [M243082411F](#) [M24308/4-21](#)  
[CT1A18-11PSA206](#) [CT1N36-5SC](#) [CT2-16S-17PS](#) [CT2-20-15PCAU](#) [CT2-24-12PS](#) [CT2-24-28PSF127A206](#) [CT2-32-9PC](#) [CT6F9767-14-4-](#)  
[14S-5PC](#) [CT6FA10SL-4PS](#) [CT7-18-10SC](#) [CT7-18-10SCAU](#) [CT7-18-12SCAU](#) [CT7-18-1PC](#) [CT7-18-1PCAU](#) [CT7-18-21SCAU](#) [M83513/01-](#)  
[FC](#) [M83723/76W24619 L/C](#) [M85049/48-3-2F](#) [69001-865](#) [6STD09PCM99B70X](#) [6STD09SCM99B30X](#) [6STD09SCT99S40X](#)