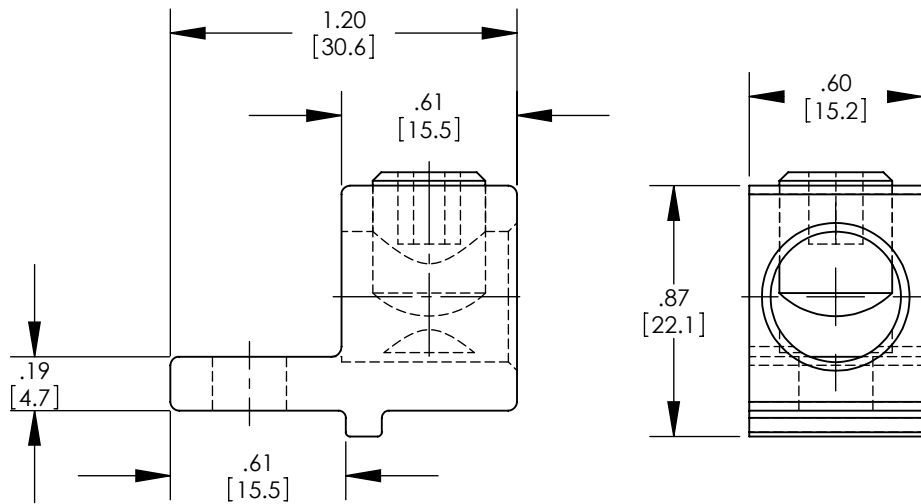
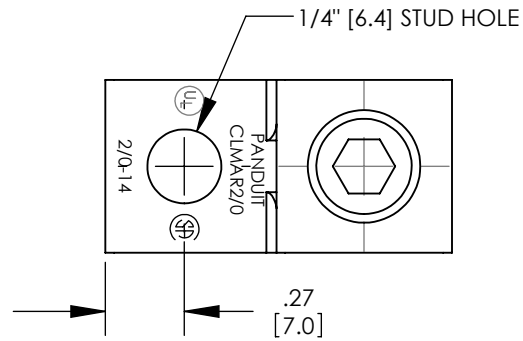


THIS COPY IS PROVIDED ON A RESTRICTED BASIS AND IS NOT TO BE USED IN ANY WAY DETRIMENTAL TO THE INTERESTS OF PANDUIT CORP.



NOTES:

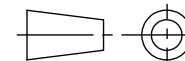
1. MATERIAL: BODY - COPPER, TIN PLATED
SCREW - STEEL, ZINC PLATED
2. DIMENSIONS IN BRACKETS ARE MILLIMETERS
3. TOLERANCES ARE $\pm .02$ [.5] UNLESS OTHERWISE NOTED
4. SEE PACKAGE LABEL FOR TIGHTENING TORQUE INFORMATION
5. PKG QTY: -Q = 25
6. COMPATIBLE WITH PANDUIT UNIVERSAL GROUND BAR PART SERIES UGB2/0.



PART NUMBER	WIRE RANGE COPPER	WIRE STRIP LENGTH	HEX KEY
CLMAR2/0-14-Q	14 AWG - 2/0 AWG	.61 [15.5]	3/16"

REV	DATE	BY	CHK	APR	DESCRIPTION	ECN
01	2/13	JHNU	JHNU	RGB	REVISED TITLE BLOCK	10J017CF-JC
00	4/12	JHNU	JHNU	RGB	DRAWING RELEASED	10J017CF-JC

TITLE COPPER MECHANICAL ANTI-ROTATIONAL CONNECTOR (CLMAR2/0-14-Q) CUSTOMER DRAWING			
ITEM REVISION NAME 10J017CF/01		PANDUIT	
DATASET FILE NAME 10J017CF-JC/01.SLDDRW			
UNLESS OTHERWISE SPECIFIED, DIMENSIONAL TOLERANCES ARE: IN [mm] .X \pm .XXX \pm .XX \pm .02 [.5] ANGLES \pm			MATERIAL SEE NOTES
DRAWN BY JHNU		DATE 4/12	DRAWING NUMBER 10J017CF-JC
CHK RGB	SCALE NONE	SHEET 1 OF 1	
			SIZE A



THIRD ANGLE
PROJECTION

X-ON Electronics

Largest Supplier of Electrical and Electronic Components

Click to view similar products for [Terminals](#) category:

Click to view products by [Panduit](#) manufacturer:

Other Similar products are found below :

[HT-13-10](#) [71M-250-32-NB](#) [01-2065-1-0216](#) [00581P0075](#) [M10-10RX](#) [M10BCK](#) [60205-1](#) [604200-1](#) [60598-1-CUT-TAPE](#) [60617-1-C](#) [60873-1](#) [M14-516R/SK](#) [M14-6RSX](#) [M18-10FLX](#) [M18-8FBX](#) [M18-8R/LX](#) [M18BCK](#) [61314-6-C](#) [61-S](#) [61-SN-A](#) [62-NBM-A](#) [63-S](#) [640179-1](#) [640917-2-CUT-TAPE](#) [6501550002](#) [66107-2-C](#) [696683-1](#) [696834-1](#) [696861-1](#) [696931-1](#) [696999-1](#) [M8-516RK](#) [M86700006](#) [MA250DMFMX-A](#) [701-2007](#) [701-2307](#) [701-7761-03](#) [70F-110-32-PB](#) [718-N-A](#) [71M-187-20-NBL](#) [71M-250-32-NBL](#) [72F-187-20-NBL](#) [72M-250-32-NBL](#) [7310](#) [73F-250-32](#) [73F-250-32-NBL](#) [73F-250-32-NL](#) [F14-10C](#) [F-1M](#) [751-250](#)